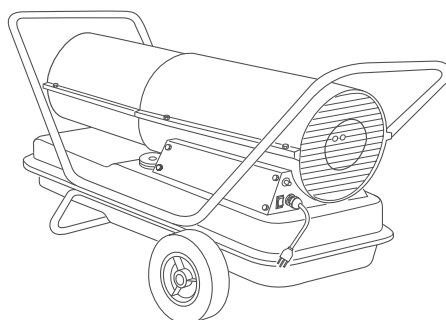
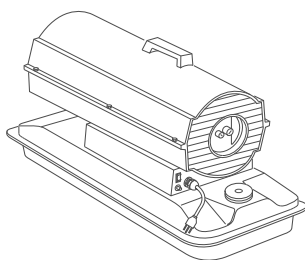


MASTER®

GB - PORTABLE FORCED AIR HEATERS
FR - APPAREILS DE CHAUFFAGE INDIVIDUELS À AIR FORCÉ
DE - TRAGBARE HOCHDRUCK EISLUFTTURBINEN
NL - VERPLAATSBARE HETELUCHTKANONNEN
IT - GENERATORE D'ARIA CALDA A RISCALDAMENTO DIRETTO
ES - CALENTADORES PORTATILES DE AIRE FORZADO
SV - PORTABEL VÄRMEFLÄKT MED FORCERAT LUFTFLÖDE
FI - KANNETTAVA KUUMAILMAPUHALLIN
DK - VARMEKANONER
NO - TRANSPORTABLE VARMEAPPARATER MED VIFTE
PL - PRZENOŚNE OLEJOWE NAGRZEWNICE POWIETRZA
RU - ПЕРЕДВИЖНЫЕ ВОЗДУХОНАГРЕВАТЕЛИ С СИСТЕМОЙ НАДДУВА
HU - HORDOZHATÓ, GÉPI LÉGFÚTÓ BERENDEZÉS
CZ - PŘENOSNÉ OHŘÍVAČE S NUCENÝM OBĚHEM VZDUCHU
LT - KILNOJAMOJO ORO ŠILDYTUVO SU TIESIOGINIU KURO PADAVIMU
EE - TEISALDATAV OTSEKÜTTEGA ÖHUSOOJENDI
LV - GAISA SILDĪTĀJA AR ŠĶIDRĀ KURINĀMĀ DEGLI
GR - ΦΟΡΗΤΗ ΘΕΡΜΑΣΤΡΑ ΕΞΑΝΑΓΚΑΣΜΕΝΗΣ ΡΟΗΣ ΑΕΡΑ
TR - PORTATIF BASINÇLI HAVA ISITICILAR
SK - PRENOSNÉ TEPLUVZDUŠNÉ OHRIEVAČE VZDUCHU
RO - ÎNCĂLZITOARE DE AER PORTABILE CU VENTILATOR
BG - ПРЕНОСИМИ ВЕНТИЛАТОРНИ ВЪЗДУШНИ ОТОПЛИТЕЛИ
HR - PRIJENOSNI VENTILATORSKI GRIJAČI ZRAKA

OWNER'S MANUAL - MANUEL D'UTILISATION - BEDIENUNGSANLEITUNG - GEBRUIKERSHANDLEIDING
- MANUALE D'ISTRUZIONE - MANUALE DEL PROPRIETARIO - ANVÄNDARMANUAL - KÄYTTÖOPAS -
BRUGSANVISNING - BRUKERHÅNDBOK - INSTRUKCJA OBSŁUGI - РУКОВОДСТВО ДЛЯ ПОЛЬЗОВАТЕЛЯ
- FELHASZNÁLÓI KÉZIKÖNYV - PŘÍRUČKA PRO UŽIVATELE - EKSPLOATAVIMO INSTRUKCIJOS -
KASUTUSJUHEND - LIETOŠANAS INSTRUKCIJA - ΕΓΧΕΙΡΙΔΙΟ ΧΡΗΣΗΣ - KULLANICI KILAVUZU - NÁVOD NA
OBSLUHU - INSTRUCȚIUNEA DE DESERVIRE - ИНСТРУКЦИЯ ЗА ЕКСПЛОАТАЦИЯ - UPUTA ZA UPORABU



Heater sizes - Production de la chaleur - Heizgerät-Größen - Vermogen - Potenza termica - Tamaños -
Effekt storlekar - Lämmittimen lämpötehot - Størrelse - Størrelser - Nagrzewnice o wydajności - Мощност
нагревателей - Fűtőberendezések teljesítménye - Vákon ohřivačů - Modeliai - Vāljundvõimsus - Izejas jauda
- Ohrievače s výkonom - Μεγέθη θερμαστρών - Isitici boyutları - Ohrievače s výkonom - Încălzitoare cu
randament - Отопители с номинална мощност - Grijači snage:

10, 20, 29, 44 kW

(35.000, 70.000, 100.000, 150.000 Btu/Hr)

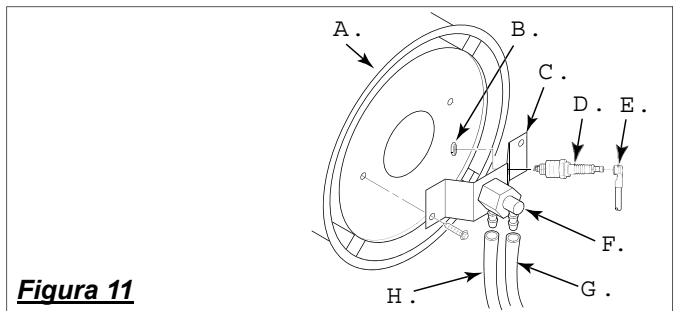
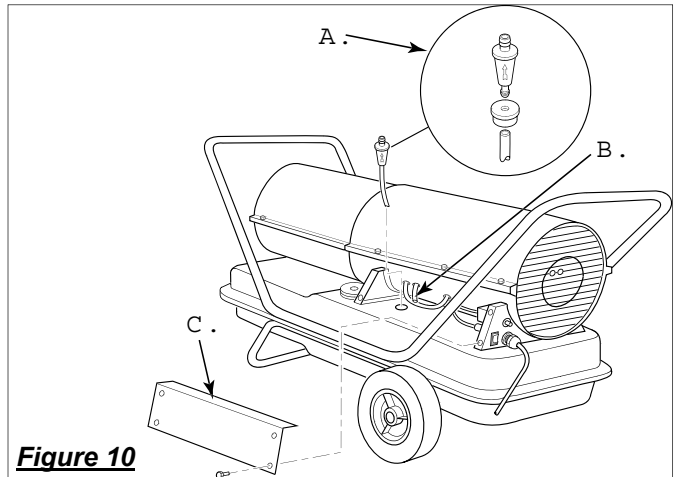
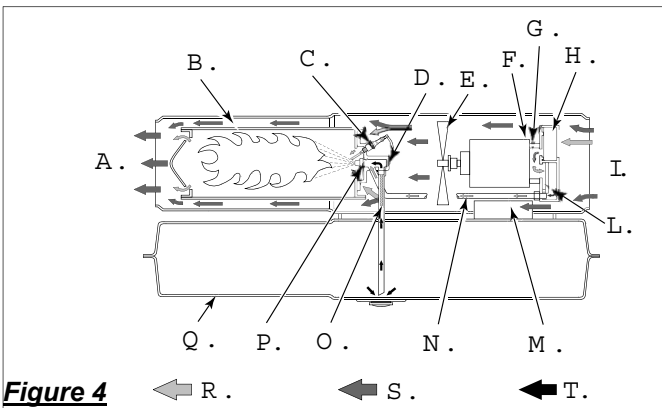
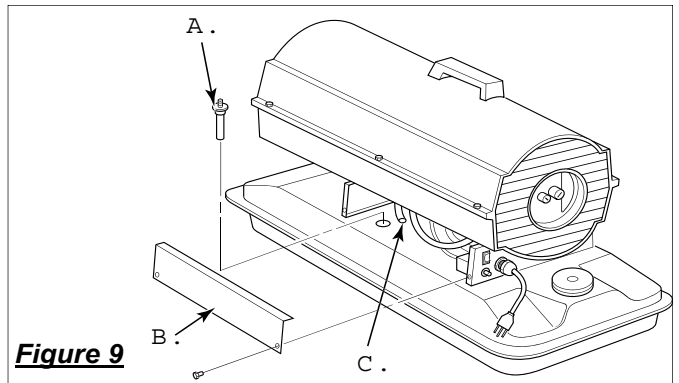
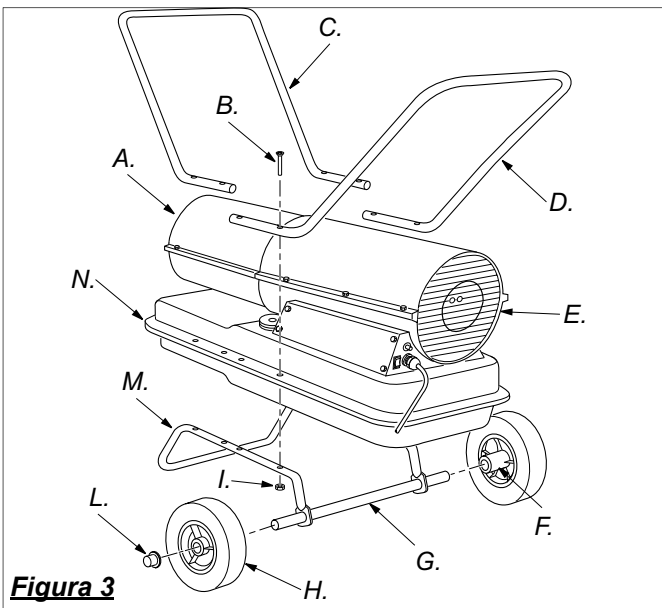
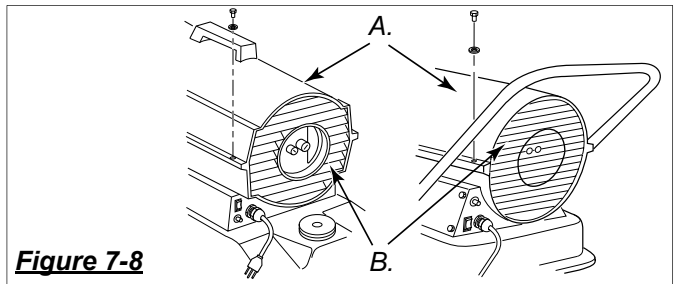
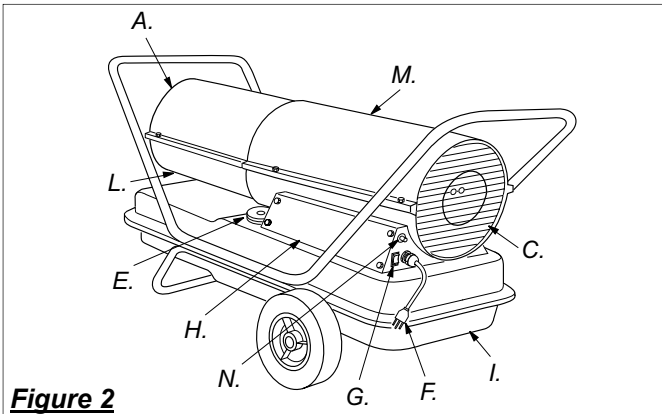
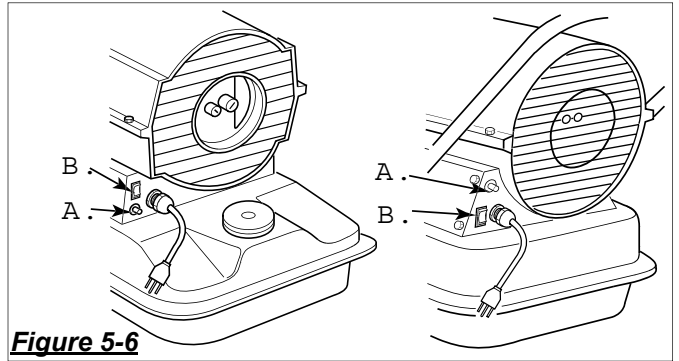
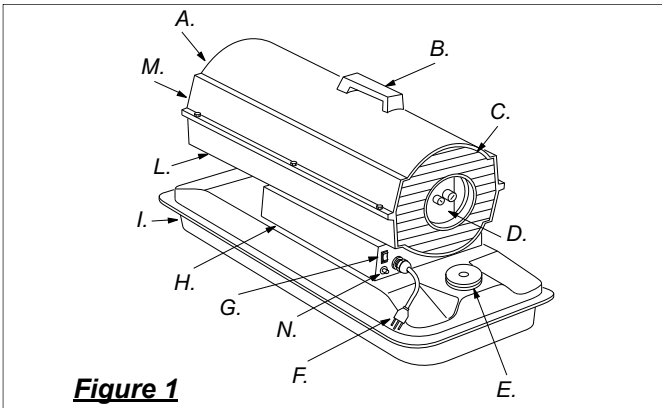
Models - Modèles - Modelle - Modellen - Modelli - Modelos - Modeller - Mallit - Model - Modeller -
Modele - Модели - Modellek - Modely - Modeliai - Mudelid - Modelji - Μοντέλα :

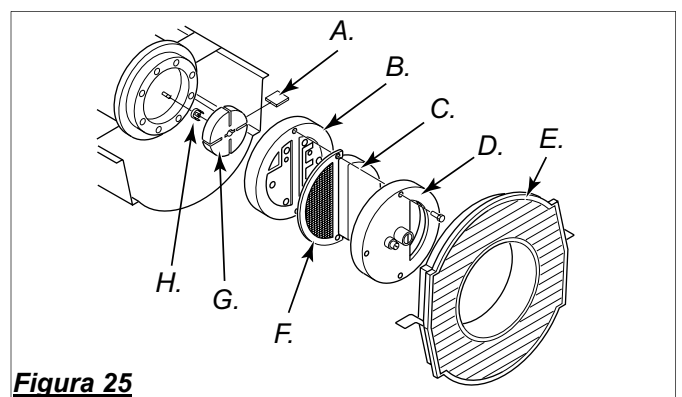
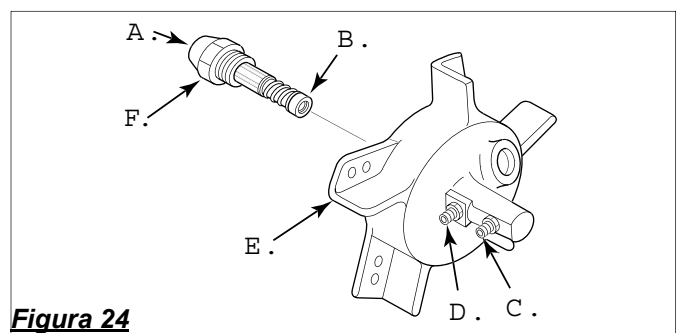
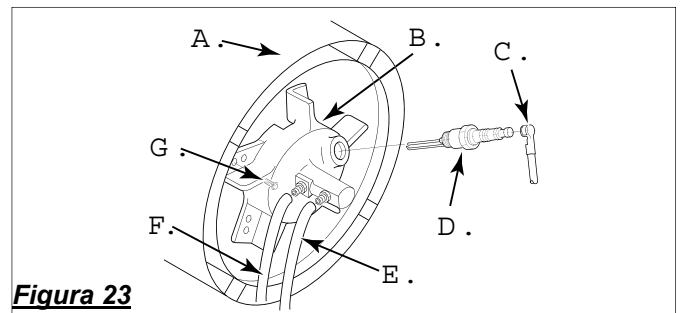
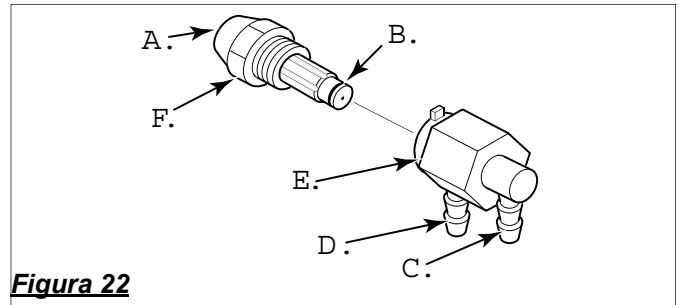
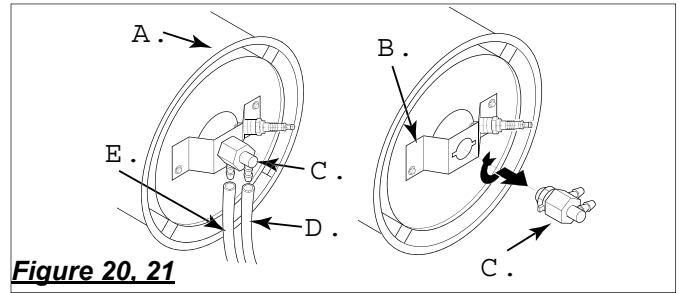
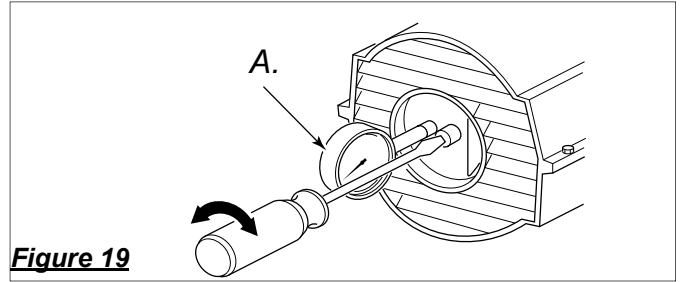
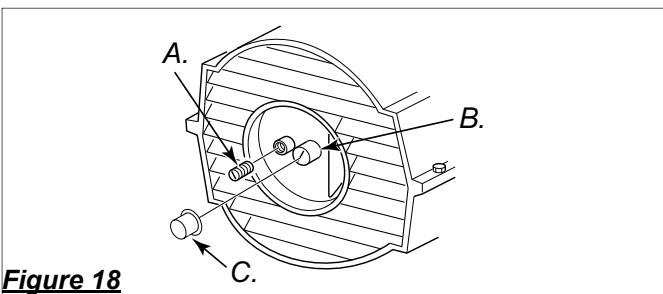
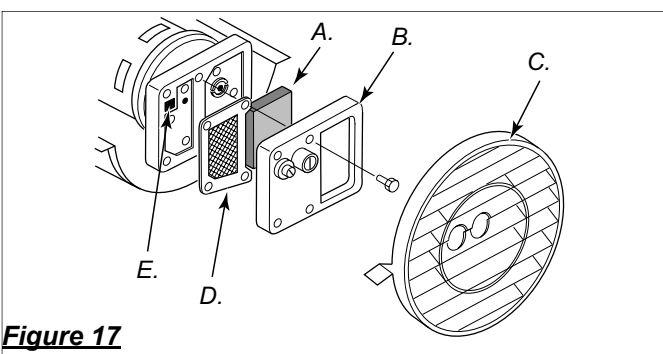
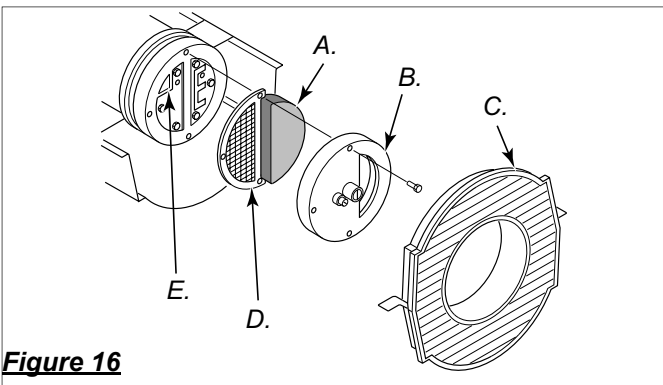
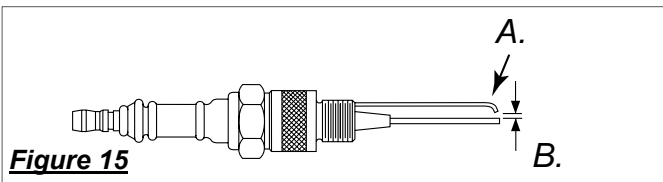
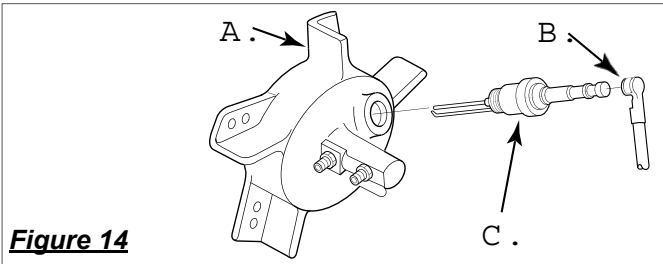
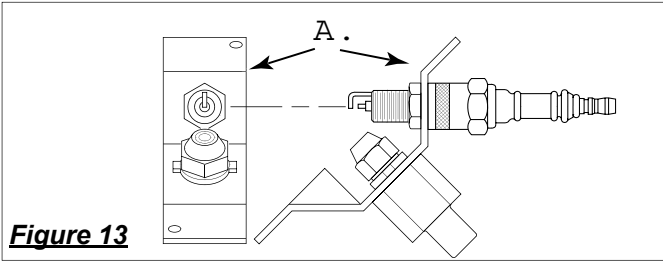
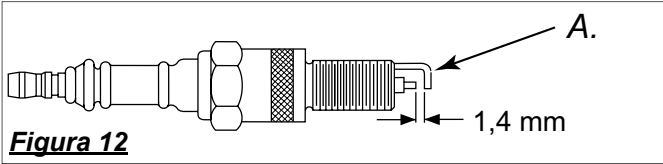
B 35 CED, B 70 CED, B 100 CED, B 150 CED

4111.514

Edition 08
Rev. 01

DESA





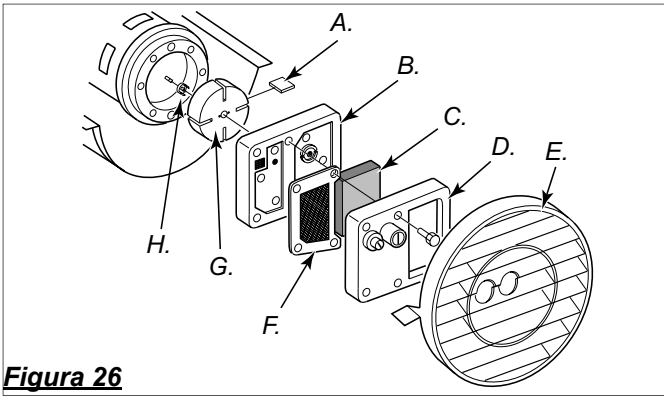


Figura 26

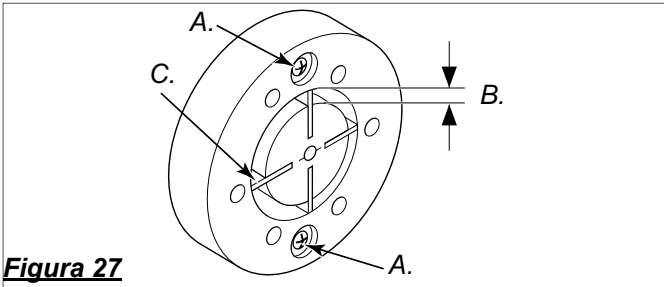


Figura 27

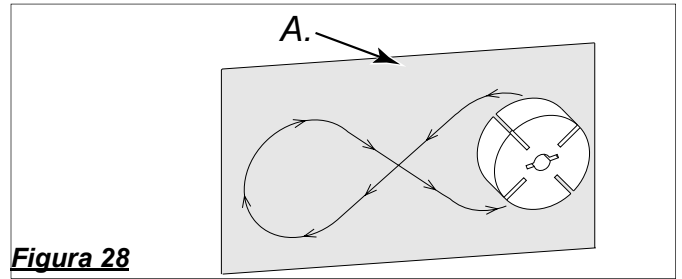


Figura 28

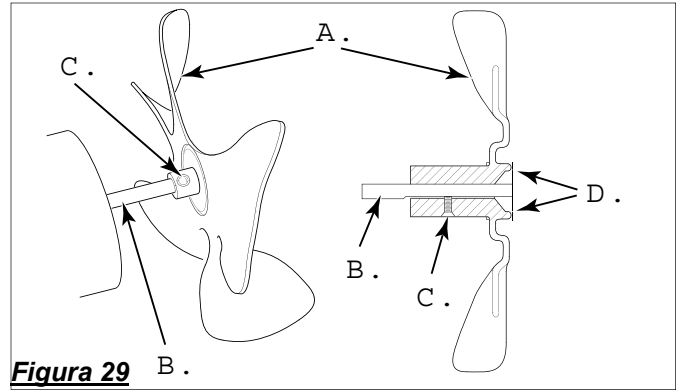
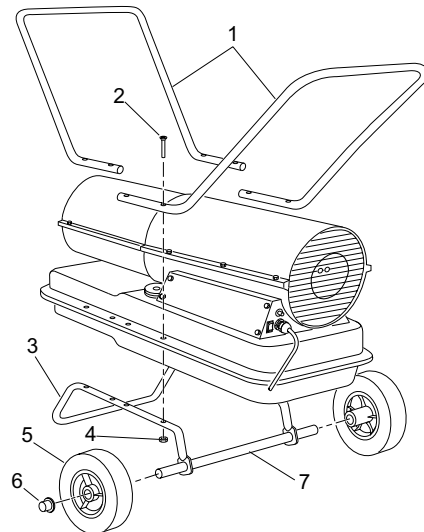


Figura 29

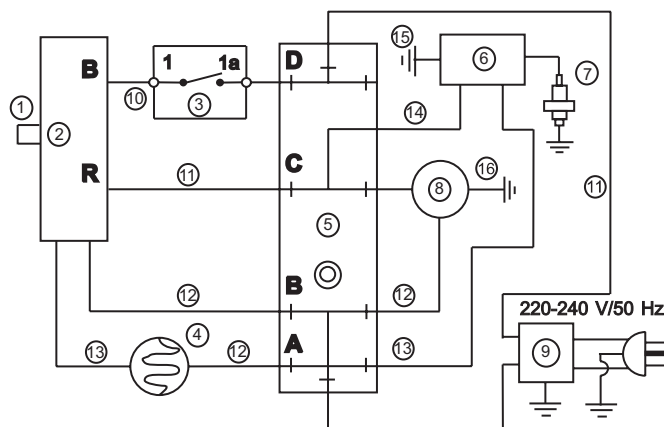
WHEELS AND HANDLES - ROUES ET GUIDONS - VERRIJDABARE ONDERSTELLEN EN HENDELS - RÄDER UND HANDGRIFFE - RUOTE ED IMPUGNATURE - RUEDAS Y ASAS PARA MODELOS DE -HJUL OCH HANDTAG - PYÖRÄT JA KAHVAT - HJUL OG HÅNDTAG - HJUL OG HÅNDTAK - KOŁA I UCHWYTY - КОЛЕСА И РУЧКИ - KEREKEK ÉS FOGANTYÚK - KOLA A DRŽADLA - RATUKAI IR RANKENOS - RATTAD JA KÄEPIDEMED - RITENI UN ROKTURI - ΡΟΔΕΣ ΚΑΙ ΛΑΒΕΣ - TEKERLEKLER VETUTAMAKLAR

B 100 CED, B 150 CED

KEY NO.	CODE	PART DESCRIPTION	Q.TY.
1	4110.077	Handles	1
2	4110.144	Screw	8
3	4110.078	Wheel Support Frame	1
4	4110.143	Hex Nut	8
5	4110.084	Wheel (2)	2
6	4110.085	Cap Nut	2
7	4110.109	Axle	1



WIRING DIAGRAM - SCHÉMAS ÉLECTRIQUES - SCHALTPLAN - BEDRADINGSSCHEMA'S - SCHEMA ELETTRICO - DIAGRAMAS DE ALAMBRADO - KOPPLINGSSCHEMA - KYTKENTÄKAAVIOT - STRØMSKEMA - KOPLINGSSKJEMAER - SCHEMAT POŁĄCZEŃ - СХЕМЫ ЭЛЕКТРИЧЕСКИХ СОЕДИНЕНИЙ - KAPCSOLÁSI VÁZLAT - SCHÉMA ELEKTROINSTALACE - DEGIMO VALDYMO ĮTAISAS - ΔΙΑΓΡΑΜΜΑ ΚΑΛΩΔΙΩΣΗΣ - KABLAJ EMALARI -



1. Reset
2. Flame out control / Détecteur d'ext. deflamme / Sicherheitsvorrichtung / Controllo fiamma / Contro de ilama / Sammumisenvalanta / System kontroli plomienia / Контроль срыва пламени
3. ON-OFF Switch / Interrupteur / Schalter / Interruttore / Interruptor / kontakt / Virtakytkin / Afbryder / Przełącznik WŁ/WYŁ / Переключатель ВКЛ/ВЫКЛ
4. Photocell / Cellule Photoelectr. / Photozelle / Fotocellula / Fotocélula / Fotocell / Valokenno / Fotocelle / Фотоэлемент
5. Terminal board / Plancheâbornes / Schaltplatine / Morsettiera / Bornera / Liitinlaatta / Płyta zaciskowa / Присоединительный щиток
6. Ignitor / Allumeur / Zünder / Accensione / Ignitor / Tändsystem / Sytytystulppa / Tændrør / Воспламенитель
7. Stark plug / Bougle / Zündkerze / Candela / Bujia de encendido / Sytytystulppa / Świeca zapłonowa / Свеча зажигания
8. Motor / Moteur / Motore / Tändningsmotor / Moottori / Электродвигатель
9. RFI Filter / Filtre / Filtro / Virtajohdon RFI-suodatin / Filtr zakłóceń radioelek. / Фильтр радиопомех

PORTABLE FORCED AIR HEATER OWNER'S MANUAL

IMPORTANT: Read and understand this manual before assembling, starting or servicing heater. Improper use of heater can cause serious injury. Keep this manual for future reference.

SAFETY INFORMATION

WARNINGS

IMPORTANT: Read this owner's manual carefully and completely before trying to assemble, operate, or service this heater. Improper use of this heater can cause serious injury or death from burns, fire, explosion, electrical shock, and carbon monoxide poisoning.

 **DANGER:** Carbon monoxide poisoning may lead to death!

Carbon Monoxide Poisoning: Early signs of carbon monoxide poisoning resemble the flu, with headaches, dizziness, and/or nausea. If you have these signs, the heater may not be working properly. **Get fresh air at once!** Have heater serviced. Some people are more affected by carbon monoxide than others. These include pregnant women, persons with heart or lung disease or anemia, those under the influence of alcohol, and those at high altitudes.

Make certain you read and understand all warnings. Keep this manual for reference. It is your guide to safe and proper operation of this heater.

- Use only No. 1 fuel oil to avoid risk of fire or explosion. Never use gasoline, naphtha, paint thinners, alcohol, or other highly flammable fuels.
- Fueling
 - a) Personnel involved with fueling shall be qualified and thoroughly familiar with the manufacturer's instructions and applicable regulations regarding the safe fueling of heating units.
 - b) Only the type of fuel specified on the heater's data plate shall be used.
 - c) All flames, including the pilot light, if any, shall be extinguished and the heater allowed to cool, prior to fueling.
 - d) During fueling, all fuel lines and fuel line connections shall be inspected for leaks. Any leaks shall be repaired prior to returning the heater to service.
 - e) At no time shall more than one day's supply of heater fuel be stored inside a building in the vicinity of the heater. Bulk fuel storage shall be outside the structure.
 - f) All fuel storage shall be located a minimum of 1 m (25 feet) from heaters, torches, welding equipment, and similar sources of ignition (exception: the fuel reservoir integral with the heater unit).
 - g) Whenever possible, fuel storage shall be confined to areas where floor penetrations do not permit fuel to drip onto or be ignited by a fire at lower elevation.
 - h) Fuel storage shall be in accordance with the authority having jurisdiction.
- Never use heater where gasoline, paint thinner, or other highly flammable vapors are present.
- Follow all local ordinances and codes when using heater.
- Heaters used in the vicinity of tarpaulins, canvas, or similar

enclosure materials shall be located a safe distance from such materials. The recommended minimum safe distance is 0,5 m (10 feet). It is further recommended that these enclosure materials be of a fire retardant nature. These enclosure materials shall be securely fastened to prevent them from igniting or from upsetting the heater due to wind action.

- Use only in well-vented areas. Before using heater, provide at least a 2800 square cm (three-square-foot) opening of fresh, outside air for each 30 kw (100,000 Btu/Hr) of rating.
- Use only in places free of flammable vapors or high dust content.

Use only the electrical voltage and frequency specified on model plate.

- Use only a three-prong, grounded extension cord.
- Minimum heater clearances from combustibles: Outlet: 250 cm (8 Ft.) Sides, Top, and Rear: 125 cm (4 Ft.)
- Locate heater on a stable and level surface if heater is hot or running or a fire may occur.
- When moving or storing heater, keep heater in a level position or fuel spillage may occur.
- Keep children and animals away from heater.
- Unplug heater when not in use.
- When used with thermostat, heater may start anytime.
- Never use heater in living or sleeping areas.
- Never block air inlet (rear) or air outlet (front) of heater.
- Never move, handle, refuel, or service a hot, operating, or plugged-in heater.
- Never attach duct work to front or rear of heater.

PRODUCT IDENTIFICATION

(see figure 1, and 2)

A. Hot Air Outlet, **B.** Handle, **C.** Fan Guard, **D.** Air Filter End Cover, **E.** Fuel Cap, **F.** Power Cord, **G.** ON/OFF Switch with Light, **H.** Side Cover, **I.** Fuel Tank, **L.** Lower Shell, **M.** Upper Shell, **N.** Flame-out control reset button.

UNPACKING

1. Remove all packing items applied to heater for shipment.
2. Remove all items from carton.
3. Check items for any shipping damage. If heater is damaged, promptly inform dealer where you bought heater.

FUELS

WARNING: Use only No. 1 fuel oil to avoid risk of fire or explosion. Never use gasoline, naphtha, paint thinners, alcohol or other highly flammable fuels.

Do not use heavy fuels such as No. 2 fuel oil or No. 2 Diesel. Using heavy fuels will result in:

- clogged fuel filter and nozzle
- use of non-toxic anti-icer in fuel during very cold weather

IMPORTANT: Use a DIESEL ONLY container. Be sure storage container is clean. Foreign matter such as rust, dirt, or water will cause the flame-out control to shut down heater. Foreign matter may also require you to clean fuel system often.

ASSEMBLY

(for 100.000 and 150.000 Btu/Hr models only)

These models are furnished with wheels and handles. Wheels, handles, and the mounting hardware are found in the shipping carton.

Tools Needed

- Medium Phillips Screwdriver
- 3/8" Open or Adjustable Wrench
- Hammer

1. Slide axle through wheel support frame. Install wheels on axle. **IMPORTANT:** When installing wheels, point extended hub of wheels toward wheel support frame (see Figure 3).
2. Place cap nuts on axle ends. Gently tap with hammer to secure.
3. Place heater on wheel support frame. Make sure air inlet end (rear) of heater is over wheels. Line up holes on fuel tank flange with holes on wheel support frame.
4. Place front handle and rear handle on top of fuel tank flange. Insert screws through handles, fuel tank flange, and wheel support frame. Attach nut finger tight after each screw is inserted
5. After all screws are inserted, tighten nuts firmly.

(see figure 3)

A. Hot Air Outlet, **B.** Screw, **C.** Front Handle, **D.** Rear Handle, **E.** Air Inlet, **F.** Extended Hub, **G.** Axle, **H.** Wheel, **I.** Nut, **L.** Cap Nut, **M.** Wheel Support Frame, **N.** Fuel Tank Flange.

VENTILATION

WARNING: Follow the minimum fresh, outside air ventilation requirements. If proper fresh, outside air ventilation is not provided, carbon monoxide poisoning can occur. Provide proper fresh, outside air ventilation before running heater.

Provide a fresh air opening of at least 2800 square cm (three square feet) for each 30kw (100,000 Btu/Hr) rating. Provide extra fresh air if more heaters are being used..

Example: A 43kw (150,000 Btu/Hr) heater requires one of the following:

- a two-car garage door [4.9 meter (16 feet) opening] raised 9 cm (3.5 inches).
- a single-car garage door [2.75 meter (9 feet) opening] raised 15.25 cm (6 inches).
- two, 76 cm (30 inch) windows raised 28 cm (11 inches).

THEORY OF OPERATION

The Fuel System: The air pump forces air through the air line. The air is then pushed through the burner head nozzle. This air causes fuel to lift from the tank. A fine mist of fuel is sprayed into the combustion chamber.

The Air System: The motor turns the fan. The fan pushes air into and around the combustion chamber. This air is heated and provides a stream of clean, hot air.

The Ignition System: The electronic ignitor sends voltage to the spark plug. The spark plug ignites the fuel and air mixture.

The Flame-Out Control System: This system causes the heater to shut down if the flame goes out.

(see figure 4)

A. Clean Heated Air Out, **B.** Combustion Chamber, **C.** Spark

plug, **D.** Burner Head, **E.** Fan, **F.** Motor, **G.** Air Pump, **H.** Air Intake Filter, **I.** Cool Air In, **L.** Air Output Filter, **M.** Ignition Control Assembly, **N.** Air Line To Burner, **O.** Fuel Filter, **P.** Nozzle, **Q.** Fuel Tank, **R.** Air For Fuel System, **S.** Air For Combustion And Heating, **T.** Fuel.

OPERATION

WARNING: Review and understand the warnings in the Safety Information section, page 2. They are needed to safely operate this heater. Follow all local codes when using this heater.

TO START HEATER

1. Follow all ventilation and safety information.
2. Fill fuel tank with No. 1 fuel oil.
3. Attach fuel cap.
4. Plug power cord of heater into standard 230 volt/50 hertz, grounded (earthed) outlet. Use an extension cord if needed. Use only a three-prong, grounded (earthed) extension cord.

Extension cord wire size requirements:

Up to 30 meters (100 feet) long, use 1.0 mm² (16 AWG) conductor.

30 to 61 meters (101 to 200 feet) long, use 1.5 mm² (14 AWG) conductor.

Push ON/OFF switch to ON (I) position and heater should start in 5 seconds. If heater does not start, see *Troubleshooting* (page 3).

TO STOP HEATER

Push ON/OFF switch to OFF (O) position.

TO RESET HEATER

1. Wait 2 minutes after stopping heater.
2. Repeat steps under *To Start Heater*.

(see figure 5 and 6)

A. Flame-out control reset button, **B.** ON/OFF Switch with Light,

STORING, TRANSPORTING, OR SHIPPING

Note: If shipping, transport companies require fuel tanks to be empty.

1. Drain fuel tank.
Note: Some models have drain plug on underside of fuel tank. If so, remove drain plug to drain all fuel. If heater does not have drain plug, drain fuel through fuel cap opening. Be sure all fuel is removed.
2. Replace drain plug if provided.
3. If any debris is noted in old fuel, add 1 or 2 quarts of clean kerosene to tank, stir, and drain again. This will prevent excess debris from clogging filters during future use.
4. Replace fuel cap or drain plug. Properly dispose of old and dirty fuel. Check with local automotive service stations that recycle oil.
5. If storing, store heater in dry place. Make sure storage place is free of dust and corrosive fumes.

IMPORTANT: Do not store kerosene over summer months for use during next heating season. Using old fuel could damage heater.

PREVENTATIVE MAINTENANCE SCHEDULE

WARNING: Never service heater while it is plugged in, operating, or hot. Severe burns and electrical shock can occur.

Item	How Often	How To
Fuel tank	Flush every 150-200 hours of operation or as needed	See <i>Storing, Transporting, or Shipping</i> .
Air output and lint filters	Replace every 500 hours of operation or once a year	See <i>Air Output, Air Intake, and Lint Filters</i> , page 4
Air intake filter	Wash and dry with soap and water every 500 hours of operation or as needed	See <i>Air Output, Air Intake, and Lint Filters</i> , page 4
Fuel filter	Clean twice a heating season or as needed	See <i>Fuel Filter</i> , page 4
Spark plug	Clean and regap every 600 hours operation or replace as needed	See <i>Spark plug</i> , page 4
Fan blades	Clean every season or as needed	See <i>Fan</i> , page 5
Motor	Not required/permanently lubricated	

TROUBLESHOOTING

WARNING: Never service heater while it is plugged in, operating, or hot. Severe burns and electrical shock can occur.

OBSERVED FAULT	POSSIBLE CAUSE	REMEDY
Heater ignites, but flame-out control shuts off heater after a short period of time	<ol style="list-style-type: none"> 1. Wrong pump pressure 2. Dirty air output, air intake, and lint filters 3. Dirty fuel filter 4. Dirt in nozzle 5. Dirty photocell lens 6. Bad flame-out control 	<ol style="list-style-type: none"> 1. See <i>Pump Pressure Adjustment</i>, page 4. 2. See <i>Air Output, Air Intake and Lint Filters</i>, page 4 3. See <i>Fuel Filter</i>, page 4 4. See <i>Nozzle</i>, page 5 5. Clean photocell lens 6. Replace flame-out control
Heater will not ignite, but motor runs for a short period of time	<ol style="list-style-type: none"> 1. Wrong pump pressure 2. Carbon deposits on spark plug and/or improper gap 3. Dirty fuel filter 4. Dirt in nozzle 5. Water in fuel tank 	<ol style="list-style-type: none"> 1. See <i>Pump Pressure Adjustment</i>, page 4 2. See <i>Spark Plug</i>, page 4 3. See <i>Fuel Filter</i>, page 4 4. See <i>Nozzle</i>, page 5 5. Drain and flush fuel tank with clean kerosene. See <i>Storing, Transporting, or Shipping</i>.
WARNING: High voltage!		
	<ol style="list-style-type: none"> 6. Electronic ignitor not grounded (earthed) 7. Bad electronic ignitor 	<ol style="list-style-type: none"> 6. Make sure electronic ignitor mounting is tight 7. Replace electronic ignitor
Motor does not start when heater is plugged in, fan rotates slowly or does not turn	<ol style="list-style-type: none"> 1. Flame-out control not reset 2. Binding pump rotor 	<ol style="list-style-type: none"> 1. Reset flame-out control button, see Figures 5 and 6, page 2 2. If fan is hard to turn, see <i>Pump Rotor</i>, page 5

SERVICE PROCEDURES

WARNING: Never service heater while it is plugged in, operating, or hot. Severe burns and electrical shock can occur.

UPPER SHELL REMOVAL

1. Remove screws and lock washers along each side of heater using 5/16" nutdriver. These screws attach upper and lower shells together.
2. Lift upper shell off.
3. Remove fan guard.

FUEL FILTER

(35.000 and 70.000 Btu/Hr Models)

1. Remove side cover screws using 5/16" nut-driver.
2. Remove side cover.
3. Pull rubber fuel line off fuel filter neck.
4. Carefully pry bushing and fuel filter out of fuel tank.
5. Wash fuel filter with clean fuel and replace in tank.
6. Attach rubber fuel line to fuel filter neck
7. Replace side cover.

FUEL FILTER

(100.000 and 150.000 Btu/Hr Models)

1. Remove side cover screws using 5/16" nut-driver.
2. Remove side cover.
3. Pull upper fuel line off fuel filter neck.
4. Carefully pry bushing, lower fuel line, and fuel filter out of fuel tank.
5. Wash fuel filter with clean fuel and replace in tank.
6. Attach upper fuel line to fuel filter neck.
7. Replace side cover.

(see figure 7 and 8)

A. Upper shell, **B.** Fan guard

(see figure 9)

A. Fuel Filter, **B.** Side cover, **C.** Fuel line.

(see figure 10)

A. Fuel Filter, Bushing, and Lower Fuel Line, **B.** Upper fuel line, **C.** Side cover.

SPARK PLUG **-(35,000 Btu/Hr Model)-**

1. Remove upper shell.
2. Remove fan (see page 5).
3. Remove fuel and air line hoses from nozzle assembly.
4. Remove spark plug wire from spark plug.
5. Remove two screws using 5/16" nut-driver and remove burner strap.
6. Place hex-body of spark plug into vise and tighten.
7. Remove spark plug mounting nut using 11/16" open-end wrench.
8. Remove burner strap from spark plug.
9. Clean and regap spark plug electrodes to 1.4 mm (.055") gap.
10. Replace burner strap onto spark plug. Rotate burner strap to position spark plug electrodes (see Figure 13).
11. Tighten spark plug with spark plug mounting nut.
12. Release hex-body of spark plug from vise.
13. Replace burner strap onto combustion chamber.
14. Attach spark plug wire to spark plug.
15. Attach fuel and air line hoses to nozzle assembly.
16. Replace fan (see page 5).
17. Replace fan guard and upper shell.

(see figure 11)

A. Combustion Chamber, **B.** Spark plug Mounting nut, **C.** Burner sprap, **D.** Spark plug, **E.** Spark plug wire, **F.** Nozzle assembly, **G.** Fuel line hose, **H.** Air Line Hose

(see figure 12)

A. Bend here to adjust gap.

(see figure 13)

A. Burner strap.

SPARK PLUG **-(70/100/150,000 Btu/Hr Models)-**

1. Remove upper shell (see page 4).
2. Remove fan (see page 5).
3. Remove spark plug wire from spark plug.
4. Remove spark plug from burner head using 13/16" open-end wrench.
5. Clean and regap spark plug electrodes as follows:
70/100,000 Btu/Hr Models: 1.9 mm
150,000 Btu/Hr Model: 2.8 mm
6. Install spark plug in burner head.
7. Attach spark plug wire to spark plug.
8. Replace fan (see page 5).
9. Replace fan guard and upper shell.

(see figure 14)

A. Burner head, **B.** Spark plug wire, **C.** Spark plug

(see figure 15)

A. Bend here to adjust gap, **B.** Gap

AIR OUTPUT, AIR INTAKE, AND LINT FILTERS

1. Remove upper shell (see page 4).
2. Remove filter end cover screws using 5/16" nut-driver.
3. Remove filter end cover.
4. Replace air output and lint filters.
5. Wash or replace air intake filter (see *Preventative Maintenance Schedule*, page 3).
6. Replace filter end cover.
7. Replace fan guard and upper shell.

IMPORTANT: Do not oil filters.

PUMP PRESSURE ADJUSTMENT

1. Remove pressure gauge plug from filterend cover.
2. Install accessory pressure gauge (part number 4109.427).
3. Start heater (see *Operation*, page 2). Allow motor to reach full speed.
4. Adjust pressure. Turn relief valve to right to increase pressure. Turn relief valve to left to decrease pressure. See specifications below for correct pressure for each model.
5. Remove pressure gauge. Replace pressure gauge plug in filter end cover.

(see figure 16 and 17)

A. Air Intake Filter, **B.** Filter end cover, **C.** fan guard, **D.** Air output filter, **E.** Lint Filter.

Model	Pump pressure (Bar/PSI)
35.000 Btu/Hr	0,207 / 3
70.000 Btu/Hr	0,365 / 5,3
100.000 Btu/Hr	0,275 / 4
150.000 Btu/Hr	0,337 / 4,9

(see figure 18)

A. Pressure gauge Plug, **B.** relief Valve, **C.** Plastic cap

(see figure 19)

A. Pressure gauge

NOZZLE *-(35,000 Btu/Hr Model)-*

1. Remove upper shell (see page 4).
2. Remove fan (see page 5).
3. Remove fuel and air line hoses from nozzle assembly.
4. Turn nozzle assembly 1/4 turn to left and pull toward motor to remove.
5. Place plastic hex-body into vise and lightly tighten.
6. Carefully remove nozzle from the nozzle adapter using 5/8" socket wrench.
7. Blow compressed air through face of nozzle. This will free any dirt in nozzle area.
8. Inspect nozzle seal for damage.
9. Replace nozzle into nozzle adapter until nozzle seats. Tighten 1/3 turn more using 5/8" socket wrench 4.5 to 5.1 N-m (40 to 45 in-lbs).
10. Attach nozzle assembly to burner strap.
11. Attach fuel and airline hoses to nozzle assembly. See *Fuel and Airline Replacement and Proper Routing* see page 4.
12. Replace fan (see page 5).
13. Replace fan guard and upper shell.

(see figure 20, 21)

A. Combustion Chamber, B. Burner strap, C. Nozzle assembly
D. Fuel line hose, E. Air line hose.

(see figure 22)

A. Nozzle face, B. Nozzle seal, C. Fuel line fitting, D. Air line fitting, E. Nozzle adapter, F. Nozzle

NOZZLE *-(70/100/150,000 Btu/Hr Models)-*

1. Remove upper shell (see page 4).
2. Remove fan (see page 5).
3. Remove fuel and air line hoses from burner head.
4. Remove spark plug wire from spark plug.
5. Remove spark plug from burner head using 13/16" open-end wrench.
6. Remove three screws using 5/16" nut-driver and remove burner head from combustion chamber.
7. Place burner head into vise and lightly tighten.
8. Carefully remove nozzle from burner head using 5/8" socket wrench (see Figure 24).
9. Blow compressed air thru face of nozzle. This will free any dirt in nozzle area.
10. Inspect nozzle seal for damage.
11. Replace nozzle into burner head and tighten firmly (9.1-12.4 n-m/80-110 inch-pounds).
12. Attach burner head to combustion chamber.
13. Install spark plug in burner head.
14. Attach spark plug wire to spark plug.
15. Attach fuel and airline hoses to burner head.
16. Replace fan (see page 5).
17. Replace fan guard and upper shell.

(see figure 23)

A. Combustion Chamber, B. Burner head, C. Spark plug wire
D. Spark plug, E. Fuel line hose, F. Air line hose, G. Screw

(see figure 24)

A. Nozzle face, B. Nozzle seal, C. Fuel line fitting, D. Air line fitting, E. Burner head, F. Nozzle

PUMP ROTOR

(Procedure if Rotor is Binding)

1. Remove upper shell (see page 4).
2. Remove filter end cover screws using 5/16" nut-driver.

3. Remove filter end cover and air filters.
4. Remove pump plate screws using 5/16" nut-driver.
5. Remove pump plate.
6. Remove rotor, insert, and blades.
7. Check for debris in pump. If debris is found, blow out with compressed air.
8. Install insert and rotor.
9. Check gap on rotor. Adjust to .076/.101 mm (.003"/.004") if needed (see Figure 25).
Note: Rotate rotor one full turn to ensure the gap is .076/.101 mm (.003"/.004") at tightest position. Adjust if needed.
10. Install blades, pump plate, air filters and filter end cover.
11. Replace fan guard and upper shell.
12. Adjust pump pressure (see page 4).
Note: If rotor is still binding, proceed as follows.
13. Perform steps 1 through 6 above.
14. Place fine grade sandpaper (600 grit) on flat surface. Sand rotor lightly in "figure 8" motion four times (see Figure 26)
15. Reinstall insert and rotor.
16. Perform steps 10 through 12 above.

(see figure 25, 26)

A. Blade, B. Pump plate, C. Air intake filter, D. Filter end cover
E. Fan guard, F. Air output filter, G. Rotor, H. Insert.

(see figure 27)

A. gap adjusting screw, B. .076/.101 mm (.003"/.004") Gap
Measured With Feeler Gauge, C. Blade

(see figure 28)

A. sandpaper

FAN

IMPORTANT: Remove fan from motor shaft before removing motor from heater. The weight of the motor resting on the fan could damage the fan pitch.

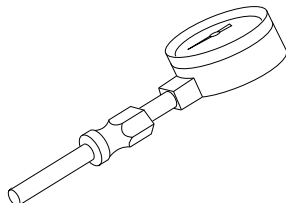
1. Remove upper shell (see page 4).
2. Use 1/8" allen wrench to loosen setscrew which holds fan to motor shaft.
3. Slip fan off motor shaft.
4. Clean fan using a soft cloth moistened with kerosene or solvent.
5. Dry fan thoroughly.
6. Replace fan on motor shaft. Place fan hub flush with end of motor shaft (see Figure 28).
7. Place setscrew on flat of shaft. Tighten setscrew firmly 4.5 to 5.6 N-m (40 to 50 in-lbs).
8. Replace fan guard and upper shell.

(see figure 29, 30)

A. Fan, B. Motor shaft, C. Set screw, D. Flush.

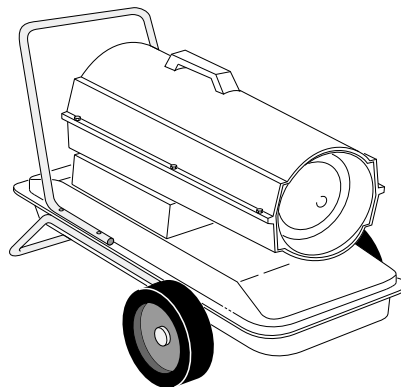
ACCESSORIES

Purchase accessories from your local dealer.



AIR GAUGE KIT - 4109.427

For all models. Special tool to check pump pressure.



HEAVY DUTY WHEELS AND HANDLE KIT - 4103.925

For heavy duty applications. Makes your heater even more portable and convenient. For 35.000 and 70.000 Btu/Hr models.

WARRANTY INFORMATION

CERTIFICATE OF GENERAL EQUIPMENT - LIMITED ONE YEAR WARRANTY

DESA Italia warrants new Products sold by it to be free from defects in material or workmanship for a period of one year after date of delivery to the first user and subject to the following conditions:

DESA Italia's obligation and liability under this Warranty is expressly limited to repairing or replacing at DESA Italia's option, any parts which appear to DESA Italia upon inspection to have been defective in material or workmanship when shipped from the factory. Such parts shall be provided at no cost to the user, at the business establishment of any factory authorized service center or the factory during regular working hours. The Warranty shall not apply to component parts or accessories of Products not manufactured by DESA Italia and which carry the warranty of the manufacturer thereof, or to normal maintenance (such as pressure adjustments) or to normal maintenance parts (such as filters and spark plugs). Replacement or repair parts installed in the Product covered by this Warranty are warranted only for the remainder of this Warranty as if such parts were original components of said Product. DESA ITALIA MAKES NO OTHER EXPRESS WARRANTY. TO THE EXTENT PERMITTED BY LAW DESA ITALIA MAKES NO IMPLIED WARRANTY AND MAKES NO WARRANTY OF MERCHANTABILITY OR FITNESS FOR ANY PARTICULAR

PURPOSE. IN ANY EVENT IMPLIED WARRANTIES INCLUDING THOSE OF MERCHANTABILITY AND FITNESS FOR A PARTICULAR PURPOSE ARE LIMITED TO THE DURATION OF THIS EXPRESS WARRANTY.

Any transportation charges, costs of installation, duty, taxes or any other charges whatsoever must be borne by the user. DESA Italia's obligation under this limited Warranty shall not include any liability for direct, indirect, incidental, or consequential damage or delay. If requested by DESA Italia, Products or parts for which a warranty claim is made are to be returned transportation prepaid by user to the factory. Any improper use, including operation after discovery of defective or worn parts, operation beyond capacity, substitution of parts not approved by DESA Italia, or any alteration or repair by others in such manner as in DESA Italia's judgement affects the Product materially and adversely, shall void this Warranty.

NO EMPLOYEE OR REPRESENTATIVE IS AUTHORIZED TO CHANGE THIS WARRANTY IN ANY WAY OR GRANT ANY OTHER WARRANTY UNLESS SUCH CHANGE IS MADE IN WRITING AND SIGNED BY AN OFFICER OF DESA ITALIA AT ITS HOME OFFICE.

WARRANTY SERVICE

Always specify model and serial numbers when communicating with the factory.

We reserve the right to amend these specifications at any time without notice. The only Warranty applicable is our standard written Warranty. We make no other Warranty, expressed or implied.

A Service Manual is available by writing to the Technical Service Department at:

APPAREILS DE CHAUFFAGE INDIVIDUELS À AIR FORCÉ

MANUEL D'UTILISATION

IMPORTANT: Veiller à lire et comprendre ce manuel avant de monter, mettre en marche ou effectuer l'entretien de cet appareil. Une mauvaise utilisation de cet appareil pourrait causer des blessures graves. Conserver ce manuel pour s'y reporter plus tard.

NOTES SUR LA SÉCURITÉ

AVERTISSEMENTS

IMPORTANT: Veiller à lire ce manuel d'utilisation attentivement et complètement avant de tenter de monter, de faire fonctionner ou d'effectuer l'entretien de cet appareil. Une mauvaise utilisation de cet appareil de chauffage peut causer des blessures graves voire la mort par brûlures, incendie, explosion, électrocution et intoxication par l'oxyde de carbone.

DANGER: L'intoxication par l'oxyde de carbone peut entraîner la mort!

Intoxication par l'oxyde de carbone: Les premiers signes d'intoxication par l'oxyde de carbone ressemblent à ceux de la grippe: maux de tête, vertiges ou nausée. Si l'on ressent ces symptômes, il se peut que l'appareil de chauffage ne fonctionne pas correctement. **Aller immédiatement respirer de l'air frais!** Faire réparer l'appareil de chauffage. Certaines personnes sont plus susceptibles que d'autres aux effets de l'oxyde de carbone, par exemple les femmes enceintes, les personnes souffrant de maladies cardiaques ou pulmonaires, d'anémie, celles sous l'effet de l'alcool ou celles se trouvant à haute altitude.

Veiller à lire et comprendre tous les avertissements. Conserver ce manuel pour s'y reporter plus tard. C'est un guide pour l'utilisation correcte et sans danger de cet appareil de chauffage.

- Ne se servir de l'outil n°1 pour éviter les risques d'incendie ou d'explosion. Ne jamais utiliser d'essence, de naphte, de diluants à peinture, d'alcool ou d'autres combustibles hautement inflammables.
- Alimentation en carburant
 - a) Les employés chargés de refaire le plein doivent être qualifiés et doivent bien connaître les instructions du fabricant et la réglementation applicable concernant l'alimentation sûre en carburant des appareils de chauffage.
 - b) Seul le type de carburant précisé sur la plaque signalétique de l'appareil de chauffage doit être utilisé.
 - c) Avant de refaire le plein, il faut s'assurer que toutes les flammes, y compris la veilleuse, le cas échéant, sont éteintes et que l'appareil de chauffage a refroidi.
 - d) Durant l'alimentation en carburant, il importe d'inspecter toutes les conduites de carburant et tous les raccords de conduite de carburant pour y relever d'éventuelles fuites. Toutes les fuites doivent être corrigées avant de remettre l'appareil de chauffage en service.
 - e) On ne doit jamais stocker plus d'un jour d'approvisionnement en carburant pour l'appareil de chauffage à l'intérieur d'un bâtiment, à proximité de l'appareil de chauffage. Le carburant en vrac doit être stocké à l'extérieur de la structure.
 - f) Tout le carburant doit être stocké à une distance d'au moins 1 m des appareils de chauffage, chalumeaux, matériel de soudage et sources similaires d'inflammation (exception faite du réservoir de carburant faisant partie intégrante de

l'appareil de chauffage).

- g) Le carburant doit, autant que possible, être stocké là où les pénétrations du plancher ne permettent pas que le carburant s'égoutte sur un feu situé plus bas ou soit allumé par ce feu.
- h) Le carburant doit être stocké conformément à toutes les réglementations applicables.
- Ne jamais se servir de l'appareil dans des endroits contenant des vapeurs d'essence, de diluant à peinture ou d'autres vapeurs hautement inflammables.
- Se conformer à tous les règlements et codes locaux lors de l'utilisation de l'appareil.
- Ne le faire fonctionner que dans des endroits bien aérés. Assurer au moins 2800 cm² d'air frais extérieur pour chaque 25 000 Kcal/h (100 000 BTU Hr) de rendement nominal.
- Ne le faire fonctionner que dans des endroits sans vapeurs inflammables et sans poussière.
- Ne le brancher que sur du courant des tension et fréquence spécifiées sur la plaque signalétique.
- Ne se servir que d'une rallonge à trois ! Is avec mise à la terre.
- Les appareils de chauffage utilisés à proximité de bâches, de toiles ou de matériaux similaires d'enceinte doivent être placés à une distance sûre de ces matériaux. La distance sûre minimale recommandée est de 0,5 m. Il est également recommandé que ces matériaux d'enceinte soient de nature ignifuge. Ces matériaux d'enceinte doivent être fixés solidement pour les empêcher de s'enflammer ou de renverser l'appareil de chauffage sous l'action du vent.
- LB Distance minimale entre l'appareil et tout matériau combustible: Sortie: 250 cm; Côtés, dessus et arrière: 125 cm
- Placer l'appareil de chauffage sur une surface stable et horizontale lorsqu'il est chaud ou en marche pour éviter de provoquer un incendie.
- Lors du déplacement ou du remisage de l'appareil, le maintenir horizontal pour éviter de renverser du carburant.
- Maintenir enfants et animaux éloignés de l'appareil de chauffage.
- Débrancher l'appareil lorsqu'on ne s'en sert pas.
- S'il est muni d'un thermostat, l'appareil peut se mettre en marche à n'importe quel moment.
- Ne jamais utiliser l'appareil dans les salles de séjour ou dans les chambres à coucher.
- Ne jamais bloquer l'entrée d'air (arrière) ou la sortie d'air (avant) de l'appareil.
- Ne jamais déplacer, manipuler, faire le plein ou effectuer l'entretien d'un appareil chaud, en marche ou branché.
- Ne jamais monter de canalisation de distribution d'air à l'avant ou à l'arrière de l'appareil.

NOMENCLATURE DES PIÈCES

(voir figure 1, et 2)

A. Sortie d'air chaud, **B.** Poignée, **C.** Grille de protection du ventilateur, **D.** Cache-litre, **E.** Bouchon du réservoir de carburant, **F.** Cordon électrique, **G.** Lumière de ON/OFF, **H.** Panneau latéral, **I.** Réservoir de carburant, **L.** Boîtier, **M.** Couvercle, **N.** Bouton de réarmement du détecteur d'extinction de flamme.

DÉBALLAGE

1. Retirer tous les emballages de protection utilisés pour le transport.
2. Retirer tous les éléments contenus dans la boîte.
3. Vérifier s'ils ont été endommagés pendant le transport. Si l'appareil est endommagé, avertir au plus tôt le concessionnaire qui l'a vendu.

CARBURANTS

AVERTISSEMENT: Ne se servir de fioul n°1 pour éviter les risques d'incendie ou d'explosion.

Ne pas se servir de carburants lourds tels que le fioul n°2 ou le carburant diesel n°2. L'utilisation de carburants lourds peut donner lieu:

- au colmatage du filtre à carburant et du gicleur;
- au besoin d'ajouter au carburant des produits antigel non toxiques durant les périodes de grand froid;

IMPORTANT: Se servir d'un bidon utilisé EXCLUSIVEMENT pour du DIESEL. S'assurer que le récipient de stockage est propre. Les matières étrangères telles que la rouille, la poussière ou l'eau provoquent l'arrêt de l'appareil par le détecteur d'extinction de flamme. En outre, elles peuvent exiger un nettoyage plus fréquent du circuit d'alimentation en carburant.

MONTAGE *-(pour modèles 29 e 44 kW)-*

Ces modèles sont livrés avec des roues et des guidons. Ces derniers et leur boulonnerie de montage se trouvent dans la boîte d'expédition.

Outils Nécessaires

- Tournevis cruciforme de taille moyenne.
 - Clé plate ou à molette de CH 8.
 - Marteau.
1. Faire passer l'essieu dans le berceau. Installer les roues sur l'essieu. **IMPORTANT:** Installer les roues avec le côté allongé du moyeu tourné vers le berceau (voir figure 3).
 2. Placer les écrous borgnes sur les extrémités de l'essieu. Taper légèrement dessus avec le marteau pour les mettre en place.
 3. Placer l'appareil de chauffage sur le berceau. S'assurer que le côté entrée d'air (arrière) de l'appareil se trouve au-dessus des roues. Aligner les trous du rebord du réservoir de carburant avec les trous du berceau.
 4. Placer les guidons avant et arrière sur le rebord du réservoir de carburant. Faire passer les vis à travers les guidons, le rebord du réservoir et le berceau. Ceci fait, serrer à la main un écrou sur chaque vis.
 5. Une fois toutes les vis en place, serrer fermement les écrous.

(voir figure 3, page 2)

A. Sortie d'air chaud, **B.** Vis, **C.** Guidon avant, **D.** Guidon arrière, **E.** Entrée d'air, **F.** Moyeu allongé, **G.** Essieu, **H.** Roue, **I.** Écrou, **L.** Écrou borgne, **M.** Berceau, **N.** Rebord du réservoir de carburant.

VENTILATION

AVERTISSEMENT: Respecter les règles minimales de ventilation en air frais extérieur. Sans ventilation adéquate en air frais extérieur, il y a risque d'intoxication par l'oxyde de carbone. S'assurer que ces règles sont bien suivies avant de faire fonctionner l'appareil de chauffage.

Assurer l'entrée d'air frais extérieur par une ouverture d'au moins 2800 cm² pour chaque 25 000 Kcal/h (100 000 Btu/Hr) de rendement nominal. Prévoir davantage d'air frais si plusieurs appareils sont utilisés.

Exemple: Un appareil de chauffage de 38 000 Kcal/h (150 000 Btu/Hr) doit fonctionner dans l'une des conditions suivantes:

- une porte double de garage relevée de 15 cm (6 po).
- une porte simple de garage relevée de 23 cm (9 po).
- deux fenêtres à guillotine de 76 cm (30 po) de large relevées de 31 cm (12 po)

PRINCIPES DE FONCTIONNEMENT

Circuit d'alimentation en carburant: La pompe à air force l'air dans la conduite d'air. L'air passe ensuite par le gicleur du brûleur. La dépression causée par l'air fait monter le carburant du réservoir. Un fin nuage de carburant est vaporisé dans la chambre de combustion.

Circuit d'air: Le moteur fait tourner le ventilateur. Celui-ci pousse l'air dans et autour de la chambre de combustion. Cet air est chauffé et produit un jet d'air chaud non pollué.

Dispositif d'allumage: L'allumeur électronique envoie le courant à la bougie. Celle-ci enflamme le mélange de carburant et d'air.

Détecteur d'extinction de flamme: Ce dispositif arrête l'appareil de chauffage si la flamme s'éteint.

(voir figure 4, page 2)

A. Sortie d'air chaud non pollué, **B.** Chambre de combustion, **C.** Allumeur, **D.** Brûleur, **E.** Ventilateur, **F.** Moteur, **G.** Pompe à air, **H.** Filtre à air d'entrée, **I.** Entrée d'air frais, **L.** Filtre à air de sortie, **M.** Allumeur électronique, **N.** Conduite d'air vers brûleur, **O.** Filtre à carburant, **P.** Gicleur, **Q.** Réservoir de carburant, **R.** Air de combustion, **S.** Air de combustion et de chauffage, **T.** Carburant.

FONCTIONNEMENT

AVERTISSEMENT: Veiller à revoir et à bien comprendre les avertissements qui se trouvent dans la section "Notes sur la sécurité", page 1.

MISE EN MARCHÉ DE L'APPAREIL

1. Suivre les instructions concernant la ventilation et la sécurité.
2. Faire le plein du réservoir avec du fioul n°1.
3. Remettre le bouchon du réservoir.
4. Brancher le cordon électrique de l'appareil dans une prise standard de 230 Volt et 50 Hz avec prise de terre.

Conditions requises pour les rallonges Électriques:

Pour des longueurs atteignant 30 m, rallonge de calibre 1,0mm²
De 30 à 60 m, rallonge decalibre 1,5 mm².

Mettre l'interrupteur MARCHE/ARRÊT en position de MARCHE (I) et l'appareil doit se mettre en marche dans les 5 secondes. Si ce n'est pas le cas, voir *Dépannage* (page 3).

POUR ARRÊTER L'APPAREIL DE CHAUFFAGE

Mettre l'interrupteur MARCHE/ARRÊT en position d'ARRÊT.

POUR REMETTRE L'APPAREIL EN MARCHÉ

1. Attendre 2 minutes après l'arrêt de l'appareil.
2. Répéter les opérations indiquées page 2 sous la rubrique *Mise en marche de L'appareil.*

(voir figure 5 et 6, page 2)

A. Lumière de ON/OFF. Bouton de réarmement du détecteur d'extinction de flamme.

ENTREPOSAGE, TRANSPORT OU EXPÉDITION

Remarque: les sociétés de transport exigent que les réservoirs de combustible soient vides pour l'expédition.

1. Vidanger le réservoir de combustible.

- Remarque:* certains modèles sont équipés d'un bouchon de vidange au-dessous du réservoir. Le cas échéant, le retirer pour vidanger le réservoir. Si l'appareil de chauffage n'en est pas équipé, vidanger le réservoir par l'orifice de remplissage.
2. Le cas échéant, replacer le bouchon de vidange.
 3. Si le vieux carburant contient des impuretés, ajouter 1 ou 2 litres de kérosène propre, remuer et vidanger à nouveau afin d'éviter que l'accumulation d'impuretés n'obstrue les filtres lors d'un futur usage.

4. Remettre le bouchon de vidange ou de remplissage. Mettre le vieux carburant sale au rebut selon une méthode appropriée. Se renseigner auprès d'une station-service locale qui recycle l'huile.
 5. Entreposer l'appareil de chauffage dans un endroit sec, à l'abri de la poussière et des vapeurs corrosives.
- IMPORTANT:** ne pas entreposer le kérosène pour la durée de l'été en vue de l'utiliser la saison suivante. L'usage de combustible défraîchi pourrait endommager l'appareil de chauffage.

TABLEAU D'ENTRETIEN PRÉVENTIF

AVERTISSEMENT: Ne jamais effectuer l'entretien de l'appareil de chauffage s'il est branché, en marche ou chaud. Cela peut entraîner des brûlures graves ou l'électrocution.

Élément	Périodicité	Opération
Réservoir de carburant	Rincer toutes les 150 à 200 heures de fonctionnement ou selon le besoin.	Voir <i>Entreposage, Transport ou Expédition</i> .
Filtres de sortie d'air et à peluche	Remplacer toutes les 500 heures de fonctionnement ou une fois par an.	Voir <i>Filtres de sortie d'air, d'entrée d'air et à peluche</i> , page 2.
Filtre d'entrée d'air	Le laver à l'eau savonneuse et le sécher toutes les 500 heures de fonctionnement ou selon le besoin.	Voir <i>Filtres de sortie d'air, d'entrée d'air et à peluche</i> , page 2.
Filtre à carburant	Le nettoyer deux fois par période de chauffage ou selon le besoin.	Voir <i>Filtre à carburant</i> , page 4.
Bougie	Nettoyer et régler l'écart toutes les 600 heures de fonctionnement ou remplacer selon le besoin.	Voir <i>Bougie</i> page 4.
Pales du ventilateur	Les nettoyer chaque saison ou selon le besoin.	Voir <i>Ventilateur</i> , page 5.
Moteur	Aucun entretien nécessaire. Lubrification permanente.	

DÉPANNAGE

AVERTISSEMENT: Ne jamais effectuer l'entretien de l'appareil de chauffage s'il est branché, en marche ou chaud. Cela peut entraîner des brûlures graves ou l'électrocution.

ANOMALIE OBSERVÉE	CAUSE PROBABLE	REMÈDE
L'appareil s'allume, mais le détecteur d'extinction de flamme l'arrête après quelques instants.	<ol style="list-style-type: none"> 1. Pression incorrecte de la pompe 2. Filtres de sortie d'air, d'entrée d'air et à peluche encrassés 3. Filtre à carburant encrassé 4. Gicleur encrassé 5. Lentille de cellule photoélectrique sale 6. Détecteur d'extinction de flamme défectueux 	<ol style="list-style-type: none"> 1. Voir <i>Réglage de la pression de la pompe</i> page 4. 2. Voir <i>Filtres de sortie d'air, d'entrée d'air et à peluche</i> page 4. 3. Voir <i>Filtre à carburant</i> page 4. 4. Voir <i>Gicleur</i> page 5. 5. La nettoyer. 6. Le remplacer.
L'appareil ne s'allume pas, mais le moteur tourne pendant quelques instants.	<ol style="list-style-type: none"> 1. Pression incorrecte de la pompe 2. Dépôts de carbone sur la bougie et/ou écart incorrect 3. Filtre à carburant encrassé 4. Gicleur encrassé 5. Eau dans le réservoir de carburant 	<ol style="list-style-type: none"> 1. Voir <i>Réglage de la pression de la pompe</i> page 4. 2. Voir <i>Bougie</i> page 5. 3. Voir <i>Filtre à carburant</i> page 4. 4. Voir <i>Gicleur</i> page 5. 5. Vidanger et rincer le réservoir avec du kérosène propre. Voir <i>Entreposage, Transport ou Expédition</i>.
	<ol style="list-style-type: none"> 6. L'allumeur électronique n'est pas mis à la masse (à la terre) 7. Allumeur électronique défectueux 	<ol style="list-style-type: none"> 6. S'assurer que le montage de l'allumeur électronique est bien serré. 7. Le remplacer.
Le moteur ne démarre pas quand l'appareil est branché, le ventilateur tourne lentement ou pas du tout.	<ol style="list-style-type: none"> 1. Le détecteur d'extinction de flamme n'est pas réarmé 2. Rotor de pompe grippé 	<ol style="list-style-type: none"> 1. Réarmer le bouton du détecteur d'extinction de flamme; voir figures 5 et 6, page 2. 2. Si le ventilateur tourne avec difficulté, voir <i>Rotor de la pompe</i> page 4.

AVERTISSEMENT: Haute tension!

PROCÉDURES D'ENTRETIEN

AVERTISSEMENT: Ne jamais effectuer l'entretien de l'appareil de chauffage s'il est branché, en marche ou chaud. Cela peut entraîner des brûlures graves ou l'électrocution.

DÉPOSE DU COUVERCLE

1. Enlever les vis se trouvant de chaque côté de l'appareil à l'aide d'une clé à douille de CH8. Ces vis retiennent le couvercle sur le boîtier.
2. Enlever le couvercle.
3. Retirer la grille de protection du ventilateur.

FILTRE À CARBURANT -(Modèles 10 kW et 20 kW)-

1. Retirer les vis du panneau latéral à l'aide d'une clé à douille de CH8.
2. Déposer le panneau latéral.
3. Détacher la conduite de carburant en caoutchouc de l'embase du filtre à carburant.
4. Soulever avec précaution la bague et le filtre à carburant hors du réservoir de carburant.
5. Laver le filtre à carburant avec du carburant propre et le remettre dans le réservoir.
6. Brancher la conduite de carburant en caoutchouc sur l'embase du filtre à carburant.
7. Remonter le panneau latéral.

FILTRE À CARBURANT -(Modèles 29 kW et 44 kW)-

1. Retirer les vis du couvercle latéral à l'aide d'une clé à douille de CH8.
2. Enlever le couvercle latéral.
3. Sortir la conduite de carburant supérieure du goulot du filtre.
4. Avec précaution, dégager le manchon, la conduite à carburant inférieure et le filtre à carburant du réservoir.
5. Nettoyer le filtre avec du carburant propre et le replacer dans le réservoir.
6. Rebrancher la conduite à carburant supérieure sur le goulot du filtre.
7. Remonter le couvercle latéral.

(voir figure 7 et 8, page 2)

A. Couvercle, **B.** Grille de protection du ventilateur,

(voir figure 9, page 2)

A. Filtre à carburant, **B.** Panneau latéral, **C.** Conduite de carburant

(voir figure 10, page 2)

A. Filtre à carburant, manchon et conduite à carburant inférieure, **B.** Conduite à carburant supérieure, **C.** Panneau latéral.

BOUGIE -(modèle 10 kW)-

1. Retirer le couvercle (voir page 4).
2. Déposer le ventilateur (voir page 5).
3. Retirer les conduites d'air et de carburant de l'ensemble de gicleur.
4. Débrancher le fil de la bougie.
5. Retirer les deux vis à l'aide d'une clé à douille de 5/16 po et le support du brûleur.
6. Serrer la partie hexagonale de la bougie dans un étau.
7. Retirer l'écrou de montage de la bougie à l'aide d'une clé plate de 11/16 po.
8. Retirer le support du brûleur de la bougie.
9. Nettoyer les électrodes de la bougie et régler l'écartement à 1,4 mm (0,055 po).
10. Remonter le support du brûleur sur la bougie. Orienter le support du brûleur de façon à positionner correctement les électrodes de la bougie (voir figure 13).

11. Assujettir la bougie avec son écrou de montage.
12. Desserrer l'étau maintenant le corps hexagonal de la bougie.
13. Remonter le support du brûleur sur la chambre de combustion.
14. Rebrancher le fil de la bougie.
15. Rebrancher les conduites d'air et de carburant sur l'ensemble de gicleur.
16. Remonter le ventilateur (voir page 5).
17. Remonter la grille de protection du ventilateur et le couvercle.

(voir figure 11, page 2)

A. Chambre de combustion, **B.** Écrou de montage de la bougie **C.** Support du brûleur, **D.** Bougie, **E.** Fil de bougie, **F.** Ensemble de gicleur, **G.** Tuyau de carburant, **H.** Tuyau d'air

(voir figure 12, page 3)

A. Plier ici pour régler l'écartement.

(voir figure 13, page 3)

A. Support du brûleur.

BOUGIE -(modèles 20, 29, et 44 kW)-

1. Déposer le couvercle (voir page 2).
2. Déposer le ventilateur (voir page 5).
3. Débrancher le fil de la bougie.
4. Retirer la bougie du brûleur à l'aide d'une clé plate de CH 21.
5. Nettoyer les électrodes et en régler l'écart: 17.500 et 25.000 Kcal/h: 1,9 mm écart 38 000 Kcal/h: 2,8 mm écart
6. Remettre la bougie dans le brûleur.
7. Rebrancher le fil à la bougie.
8. Remonter le ventilateur (voir page 5).
9. Remonter la grille de protection du ventilateur et le couvercle.

(voir figure 14, page 3)

A. Brûleur, **B.** Fil de bougie, **C.** Bougie

(voir figure 15, page 3)

A. Plier ici pour régler l'écart, **B.** Écart

FILTRES DE SORTIE D'AIR, D'ENTRÉE D'AIR ET À PELUCHE

1. Déposer le couvercle (voir figure 7-8).
2. Retirer les vis du cache-filtre à l'aide d'une clé à douille de CH 8.
3. Déposer le cache-filtre.
4. Remplacer les filtres de sortie d'air et à peluche.
5. Laver ou remplacer le filtre d'entrée d'air (voir *Tableau d'entretien préventif* page 5).
6. Remonter le cache-filtre.
7. Remonter la grille de protection du ventilateur et le couvercle.

IMPORTANT: Ne pas huiler les filtres.

RÉGLAGE DE LA PRESSION DE LA POMPE

1. Retirer le bouchon du trou du manomètre du cache-filtre.
2. Installer le manomètre (numéro de pièce 4109.427)..
3. Mettre l'appareil en marche (voir *Fonctionnement* page 5). Attendre que le moteur atteigne son régime maximum.
4. Régler la pression. Tourner le clapet de décharge vers la droite pour augmenter la pression et vers la gauche. Consulter les spécifications ci-contre pour déterminer la pression requise par chaque modèle.
5. Retirer le manomètre et remettre le bouchon du trou du manomètre sur le cache-filtre.

(voir figure 16 et 17, page 3)

A. Filtre d'entrée d'air, **B.** Cache-filtre, **C.** Grille de protection du ventilateur, **D.** Filtre de sortie d'air, **E.** Filtre à peluche.

Modèle	Pression de la pompe (Bar/PSI)
10 kW	0,207 / 3
20 kW	0,365 / 5,3
29 kW	0,275 / 4
44 kW	0,337 / 4,9

(voir figure 18, page 3)

A. Bouchon de manomètre, **B.** Soupape de sécurité, **C.** Chapeau en plastique

(voir figure 19, page 3)

A. Manomètre

GICLEUR -(modèle 10 kW)-

- Retirer le couvercle (voir figure 7-8).
- Retirer le ventilateur (voir figure 27).
- Enlever les flexibles des conduites de combustible et d'air du gicleur (voir figure 17, 18 ou 19).
- Tourner le gicleur d'un quart de tour vers la gauche et le tirer vers le moteur pour l'enlever (voir figure 20).
- Placer le corps hexagonal en plastique dans un étau et serrer légèrement.
- Avec précaution, retirer le gicleur de son adaptateur à l'aide d'une clé à douille de CH 16 (voir figure 21).
- Souffler de l'air comprimé au travers du gicleur par l'avant pour éliminer toutes les impuretés.
- Vérifier que le joint du gicleur n'est pas endommagé.
- Replacer le gicleur dans son adaptateur en veillant à ce qu'il soit bien en place. Serrer d'un tiers de tour supplémentaire à l'aide d'une clé à douille de CH 16 de 4,5 à 5,1 Nm. Voir fig. 21.
- Remonter l'ensemble de gicleur sur la bride de montage de brûleur.
- Raccorder les flexibles des conduites de combustible et d'air au gicleur. Voir *Remplacement et acheminement correct des conduites de combustible et d'air*.
- Remonter le ventilateur (voir figure 27-28).
- Remonter la grille de protection du ventilateur et le couvercle (voir figure 7-8).

(voir figure 20 et 21, page 3)

A. Chambre de combustion, **B.** Support du brûleur, **C.** Ensemble de gicleur, **D.** Tuyau de carburant, **E.** Tuyau d'air

(voir figure 22, page 3)

A. Devant du gicleur, **B.** Joint du gicleur, **C.** Raccord de carburant, **D.** Raccord d'air, **E.** Adaptateur, **F.** Gicleur

GICLEUR -(modèles 20, 29 et 44 kW)-

- Déposer le couvercle (voir page 4).
- Déposer le ventilateur (voir page 5).
- Débrancher du brûleur les flexibles des conduites de carburant et d'air.
- Détacher le fil de la bougie.
- Retirer la bougie du brûleur à l'aide d'une clé plate de 13/16 po.
- Enlever les trois (3) vis à l'aide d'une clé à douille de CH 8 et enlever le brûleur de la chambre de combustion.
- Placer le brûleur dans un étau et le serrer légèrement.
- Enlever soigneusement le gicleur du brûleur à l'aide d'une clé à pipe de CH 16 (voir figure 24).
- Souffler de l'air comprimé par l'avant du gicleur pour endéloger toute saleté.
- Vérifier le bon état du joint d'étanchéité du gicleur.
- Remettre le gicleur dans le brûleur et le serrer fermement (9,1 à 12,4 Nm).
- Remonter le brûleur sur la chambre de combustion.
- Poser la bougie dans le brûleur.
- Rebrancher le fil à la bougie.
- Rebrancher les flexibles des conduites de carburant et

d'air au brûleur.

16. Remonter le ventilateur (voir page 5).

17. Remonter la grille de protection du ventilateur et le couvercle.

(voir figure 23, page 3)

A. Chambre de combustion, **B.** Brûleur, **C.** Fil de bougie, **D.** Bougie, **E.** Flexible de conduite de carburant, **F.** Flexible de conduite d'air

(voir figure 24, page 3)

A. Avant du gicleur, **B.** Joint d'étanchéité du gicleur, **C.** Raccord de conduite de carburant, **D.** Raccord de conduite d'air, **E.** Brûleur, **F.** Gicleur

ROTOR DE LA POMPE**(procédure en cas de grippage)**

- Déposer le couvercle (voir page 4).
- Retirer les vis du cache-filtre à l'aide d'une clé à douille de CH 16.
- Déposer le cache-filtre et les filtres à air.
- Retirer les vis de la plaque de la pompe à l'aide d'une clé à douille de CH 16.
- Déposer la plaque de la pompe.
- Enlever rotor, pièce encastrée et pales.
- Vérifier s'il y a des corps étrangers dans la pompe. S'il y en a, les chasser à l'air comprimé.
- Installer la pièce encastrée et le rotor.
- Vérifier le dégagement du rotor. Si nécessaire, le régler de 0,076 à 0,101 mm (voir figure 25).
Remarque: Faire faire un tour complet au moteur pour s'assurer que l'écart à l'endroit le plus serré est de 0,076 à 0,101 mm. Refaire le réglage si nécessaire.
- Remonter pales, plaque de pompe, filtres à air et cache-filtre.
- Remonter la grille de protection et le couvercle.
- Régler la pression de la pompe (voir page 4).
Remarque: Si le rotor est toujours grippé, procéder comme suit.
- Effectuer les opérations 1 à 6 ci-dessus.
- Placer une feuille de papier de verre fin (600) sur une surface plate. Poncer légèrement le rotor sur la feuille d'un mouvement en forme de "8" (voir figure 26). Répéter quatre fois.
- Remonter la pièce encastrée et le rotor.
- Effectuer les opérations 10 à 12 ci-dessus.

(voir figure 25 et 26, page 3)

A. Pale, **B.** Plaque de pompe, **C.** Filtre d'entrée d'air, **D.** Cache-filtre, **E.** Grille de protection du ventilateur, **F.** Filtre d'arrivée d'air, **G.** Rotor, **H.** Pièce encastrée.

(voir figure 27, page 3)

A. Vis de réglage de l'écart, **B.** Écart de 0,076 à 0,101 mm mesuré avec une jauge d'épaisseur, **C.** Pale

(voir figure 28, page 3)

A. Papier de verre

VENTILATEUR

IMPORTANT: Retirer le ventilateur de l'arbre du moteur avant de retirer ce dernier de l'appareil. Le poids du moteur sur le ventilateur peut en fausser les pales.

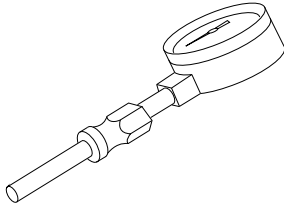
- Déposer le couvercle (voir figure 7-8).
- Utiliser une clé coudée de CH 2,5 pour desserrer la vis d'arrêt qui maintient le ventilateur sur l'arbre du moteur.
- Retirer le ventilateur en le faisant glisser sur l'arbre du moteur.
- Nettoyer le ventilateur avec un chiffon propre préalablement mouillé avec du kérosène ou du diluant.
- Sécher complètement le ventilateur.
- Replacer le ventilateur sur l'arbre du moteur. Placer le moyeu du ventilateur au ras de l'extrémité de l'arbre du moteur (voir fig. 28).
- Positionner la vis d'arrêt sur le méplat de l'arbre. La serrer fermement (de 4,5 à 5,6 Nm).
- Remonter la grille de protection du ventilateur et le couvercle.

(voir figure 29 et 30, page 3)

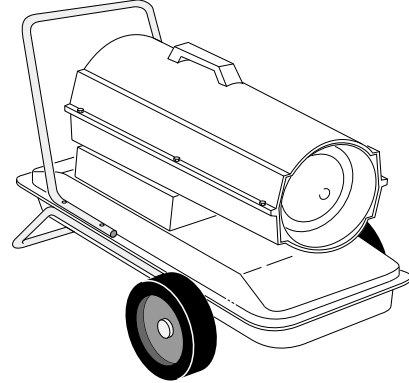
A. Ventilateur, **B.** Arbre du moteur, **C.** Vis d'arrêt, **D.** Au ras.

ACCESSOIRES

Se procurer les accessoires auprès du concessionnaire local.

**JEU DE MANOMÈTRE 4109.427**

Pour tous les modèles. Outil conçu pour vérifier la pression de la pompe.

**JEU DE ROUES ET POIGNÉE POUR USAGE INTENSIF 4103.925**

Rend votre appareil de chauffage encore plus pratique et facile à porter. Pour Modèles 10 et 20 kW.

GARANTIE ET RÉPARATIONS

CERTIFICAT RELATIF AU MATÉRIEL GÉNÉRAL - GARANTIE LIMITÉE D'UN AN

Les produits neufs vendus par la société DESA Italia sont garantis pièces et main-d'oeuvre contre les vices de matériaux et de fabrication, pour une période d'un an à compter de la date de livraison, et ce, au premier utilisateur et sous réserve des conditions suivantes:

Les obligations et la responsabilité de la société DESA Italia en vertu de la présente garantie se limitent expressément à la réparation ou au remplacement, à la discrétion de la société, de toute pièce qui lui semblerait, après inspection, défectueuse au moment de l'expédition de l'usine en raison d'un vice de matériau et de fabrication. La ou lesdites pièces seront remplacées gratuitement et mises à la disposition de l'utilisateur dans les locaux de tout centre d'entretien dûment autorisé par l'usine de fabrication, ou à l'usine même, et ce durant les heures normales d'ouverture. La présente garantie ne couvre pas les pièces et accessoires non fabriqués par DESA Italia et couverts par la garantie de leur propre fabricant ; elle ne couvre pas non plus l'entretien habituel (par exemple, les réglages de la pression) ni les pièces d'entretien habituelles (telles que les filtres et les bougies). Les pièces de remplacement ou de réparation posées sur le produit couvert par la présente garantie ne seront elles-mêmes couvertes que pour la durée restante de la garantie, tout comme si elles avaient été des pièces d'origine dudit produit. AUCUNE AUTRE GARANTIE EXPRESSE N'EST ÉMISE PAR LA SOCIÉTÉ DESA ITALIA. DANS LES LIMITES PRESCRITES PAR LA LOI, DESA ITALIA N'ÉMET AUCUNE GARANTIE IMPLICITE, NI AUCUNE GARANTIE DE QUALITÉ ÉLOYALE ET MARCHANDE OU DE CONFORMITÉ À L'UTILISATION PRÉVUE.

QUOI QU'IL EN SOIT, LES GARANTIES IMPLICITES, Y COMPRIS LES GARANTIES D'ÉGALITÉ LOYALE ET MARCHANDE OU DE CONFORMITÉ À L'UTILISATION PRÉVUE, SONT LIMITÉES À LA DURÉE DE LA PRÉSENTE GARANTIE EXPRESSE.

Tous les frais de transport et d'installation, les droits, les impôts ou tout autre frais de quelque nature que ce soit seront à la charge de l'utilisateur. La société DESA Italia n'aurait être responsable, en vertu de la présente garantie limitée, de quelque dommage direct, indirect ou accessoire que ce soit, ou de retards. Les produits ou pièces faisant l'objet d'une demande en vertu de la présente garantie devront être renvoyés à l'usine par l'utilisateur en port payé, à la demande de la société DESA Italia. La présente garantie sera réputée nulle et de nul effet en cas d'usage abusif, y compris en cas d'utilisation après la découverte des pièces défectueuses ou usées, d'utilisation au-delà des capacités du produit, de substitution de pièces non approuvées par DESA Italia, ou encore en cas de modification ou de réparation, de quelque nature que ce soit, effectuée par un tiers d'une façon telle que, selon DESA Italia, le produit en est affecté matériellement et défavorablement.

LES EMPLOYÉS OU MANDATAIRES NE SONT EN AUCUN CAS AUTORISÉS À MODIFIER EN QUOI QUE CE SOIT LA PRÉSENTE GARANTIE, NI À ACCORDER UNE AUTRE GARANTIE DE QUELQUE NATURE QUE CE SOIT, SANS L'AUTORISATION PRÉALABLE ÉCRITE ET SIGNÉE PAR UN MEMBRE DU BUREAU DE LA SOCIÉTÉ DESA ITALIA, À SON SIÈGE SOCIAL.

SERVICES FOURNIS AU TITRE DE LA GARANTIE

Toujours indiquer le modèle et les numéros de série dans la correspondance avec l'usine.

Nous nous réservons le droit de modifier à tout moment les présentes spécifications sans préavis. La seule garantie applicable est notre garantie écrite standard. Aucune autre garantie, expresse ou implicite, n'est faite.

Un manuel d'entretien peut être obtenu auprès du Service d'entretien technique à l'adresse suivante:

TRAGBARE HOCHDRUCK-HEISSLUFTTURBINEN

BEDIENUNGSANLEITUNG

WICHTIG: Bitte lesen Sie diese Bedienungsanleitung, bevor Sie das Gerät zusammenbauen, in Betrieb setzen oder mit Wartungsarbeiten beginnen. Beachten Sie bitte, daß bei unsachgemäßer Anwendung dieses Heizgerätes die Gefahr ernsthafter Körperverletzung besteht. Heben Sie diese Bedienungsanleitung auf, um sie bei Bedarf zur Verfügung zu haben.

SICHERHEITS INFORMATIONEN

WARNHINWEISE

WICHTIG: Lesen Sie diese Bedienungsanleitung sorgfältig und vollständig durch, bevor Sie versuchen, dieses Heizgerät zusammenzubauen, zu bedienen oder zu warten. Unsachgemäße Verwendung dieses Heizgerätes kann schwere Verletzungen oder Tod durch Verbrennung, Feuer, Explosion, Elektroschock sowie Kohlenmonoxydvergiftung hervorrufen.

 **GEFAHR:** Eine Kohlenmon-oxydvergiftung kann tödlich sein!

Kohlenmonoxydvergiftung: Die frühen Anzeichen einer Kohlenmonoxydvergiftung gleichen denen einer Grippe, also Kopfschmerzen, Schwindel und/oder Übelkeit. Falls Sie diese Symptome bemerken sollten, kann dies ein Anzeichen sein, daß Ihr Heizgerät nicht richtig funktioniert. **Begeben Sie sich sofort ins Freie!** Lassen Sie Ihr Heizgerät nachsehen. Gewisse Personen sind anfälliger für Kohlenmonoxyd als andere: z.B. schwangere Frauen, Personen mit einer Herz- oder Lungenkrankheit oder Anämie, Personen unter Einfluß von Alkohol und solche, die sich in Höhenlagen befinden.

Vergewissern Sie sich, daß Sie alle Warnungshinweise gelesen und verstanden haben. Bewahren Sie diese Anleitung zum Nachschlagen auf. Es ist Ihr Führer für die sichere und sachgemäße Bedienung dieses Heizgerätes.

- Verwenden Sie Heizöl EL, um die Feuer- und Explosionsgefahr zu vermeiden. Auf keinen Fall Benzin, Naphtha, Farbblösungsmittel, Alkohol und andere hochentzündliche Kraftstoffe verwenden.
- Kraftstoff auffüllen:
 - a) Das mit dem Auffüllen von Kraftstoff beschäftigte Personal muß geschult werden und mit den Anweisungen des Herstellers und den anwendbaren Richtlinien für das sichere Auffüllen von Heizgeräten vollkommen vertraut sein.
 - b) Es darf nur die Art des Kraftstoffes verwendet werden, die auf dem Datenschild des Heizgerätes angegeben ist.
 - c) Jede Flamme, einschließlich der Zündflamme, muß gelöscht werden, um das Heizgerät vor dem Auffüllen von Kraftstoff abkühlen zu lassen.
 - d) Während des Auffüllens von Kraftstoff müssen alle Kraftstoffleitungen und -anschlüsse auf Undichtheiten untersucht werden. Eventuelle Undichtheiten müssen vor einer erneuten Inbetriebnahme des Heizgerätes repariert werden.
 - e) Nicht mehr als den Tagesbedarf an Kraftstoff innerhalb von Gebäuden in der Nähe des Heizgerätes lagern. Umfangreiche Kraftstoffvorräte außerhalb des Gebäudes lagern.
 - f) Alle Kraftstofflager müssen einen Mindestabstand von 1 m zu Heizgeräten, Brennern, Schweißgeräten und ähnlichen Entzündungsquellen (Ausnahme: der im Heizgerät integrierte Kraftstoffbehälter) aufweisen.
 - g) Nach Möglichkeit soll die Kraftstofflagerung auf Bereiche beschränkt werden, in denen die Bodenkonstruktion Ansammlungen von ausgelaufenem Kraftstoff verhindert und Kraftstoff nicht durch tiefergelegene Feuerquellen entzündet

werden kann.

h) Die Kraftstofflagerung hat gemäß den lokalen behördlichen Vorschriften zu erfolgen.

- Das Heizgerät niemals in der Nähe von Benzin, Farbblösungsmitteln oder anderen leicht entflammaren Dämpfen betreiben.
- Alle örtlichen Bestimmungen und Vorschriften für die Verwendung dieses Heizgerätes befolgen.
- Heizgeräte, die in der Nähe von Abdeckmatten, Zeltleinwand oder anderen Bedachungsstoffen betrieben werden, müssen in einem sicheren Abstand zu diesen Materialien aufgestellt werden. Der empfohlene Mindestabstand beträgt 0,5 m. Es wird außerdem empfohlen, daß feuerfeste Bedachungsstoffe verwendet werden. Die Bedachungsstoffe müssen sicher befestigt sein, um sie vor Entzündung zu schützen und um zu verhindern, daß sie das Heizgerät bei Windstößen berühren und umkippen.
- Nur in gut gelüfteten Räumen betreiben. Vor der Inbetriebnahme darauf achten, daß pro 100.000 BTU/Std. Heizleistung eine Lüftungsöffnung von mindestens 2800 cm² zu frischer Außenluft vorhanden ist.
- Nur an Orten verwenden, an denen keine entzündbaren Dämpfe bzw. kein hoher Staubgehalt vorhanden ist.
- Nur unter der auf dem Typenschild angegebenen Stromspannung und -frequenz betreiben.
- Stets ein ordnungsgemäß geerdetes Verlängerungskabel mit Dreistiftstecker benutzen.
- Mindestabstand zu entzündbaren Stoffen:
Auslaß: 250 cm Seiten, Oberseite und Rückseite: 125cm.
- Zur Vermeidung von Feuergefahr muß das heiße oder in Betrieb befindliche Heizgerät auf einer sicheren, ebenen Fläche aufgestellt sein.
- Das Heizgerät muß in waagerechter Position bewegt oder gelagert werden, um das Verschütten von Kraftstoff zu vermeiden.
- Kinder und Haustiere vom Heizgerät fernhalten.
- Den Stecker aus der Steckdose ziehen, wenn das Heizgerät nicht in Betrieb ist.
- Bei Verwendung mit einem Thermostat kann sich das Heizgerät jederzeit einschalten.
- Das Heizgerät niemals in Wohn- oder Schlafräumen benutzen.
- Niemals den Lufteinlaß (Rückseite) oder den Luftauslaß (Vorderseite) des Heizgerätes blockieren.
- Das heiße, in Betrieb befindliche oder am Stromnetz angeschlossene Heizgerät niemals bewegen, bedienen, mit Kraftstoff auffüllen oder warten.
- Keine Rohrleitungen an der Vorder- oder Rückseite des Heizgerätes anbringen.

PRODUKT BESCHREIBUNG

(siehe Abbildung 1 und 2, Seite 2)

A. Heißluftauslaß, **B.** Handgriff, **C.** Lüfterabdeckung, **D.** Luftfilter-Schutz-abdeckung, **E.** Seitliche Abdeckung, **F.** Netzkabel, **G.** EIN/AUS-Schalter mit Leuchte, **H.** Seitliche Abdeckung, **I.** Kraftstofftank, **L.** Unteres Gehäuse, **M.** Heißluftauslaß, **N.** Sicherheitsvorrichtungs-Rückstellknopf.

AUSPACKEN

1. Alles Packmaterial entfernen, mit dem das Heizgerät zum Versand verpackt ist.
2. Das Heizgerät aus dem Versandkarton entnehmen.
3. Das Heizgerät auf Transportschäden prüfen. Wenn das Heizgerät beschädigt ist, sofort den Händler benachrichtigen, bei dem das Gerät gekauft wurde.

KRAFTSTOFFE

ACHTUNG: Verwenden Sie Heizöl EL, um die Gefahr von Feuer oder Explosion zu vermeiden.

Keine Schwerkraftstoffe wie z.B. Heizöl EL schwer und Dieselöl verwenden. Die Verwendung dieser Kraftstoffe hat folgende Konsequenzen:

- Verstopfen des Kraftstofffilters und der Düse;
- Notwendigkeit der Beimengung eines ungiftigen Frostschutzmittels bei sehr tiefen Temperaturen.

WICHTIG: Einen Behälter NUR FÜR DIESEL benutzen. Vergewissern Sie sich, daß der Behälter sauber ist. Fremdstoffe wie Rost, Schmutz oder Wasser führen dazu, daß die Sicherheitsvorrichtung das Heizgerät abschaltet. Außerdem werden Sie durch Fremdstoffe auch dazu gezwungen, das Kraftstoffsystem häufiger zu reinigen.

ZUSAMMENBAU

(NUR FÜR 29 KW UND 44 KW MODELLE)

Diese Modelle werden mit Rädern und Handgriffen geliefert. Die Räder, Handgriffe und dazugehörigen Befestigungsteile befinden sich im Versandkarton.

Nötiges Werkzeug

- Ein mittelgroßer Kreuz-Schraubendreher
- CH 8 Zoll Gabelschlüssel oder Verstellschlüssel
- Hammer.

1. Die Achse durch den Radstützrahmen schieben. Die Räder an der Achse befestigen. **WICHTIG:** Bei der Montage der Räder muß die verlängerte Radnabe in Richtung des Radstützrahmens zeigen (siehe Abbildung 3).
2. An jedem Ende der Achse eine Überwurfmutter aufsetzen und diese durch leichtes Anklopfen mit dem Hammer befestigen.
3. Das Heizgerät auf den Radstützrahmen aufsetzen. Darauf achten, daß der Lufteinlaß des Heizgerätes (hinten) sich über den Rädern befindet. Die Löcher am Kraftstofftankflansch mit den Löchern auf dem Radstützrahmen ausrichten.
4. Den vorderen und den hinteren Handgriff auf den Kraftstofftankflansch setzen. Die Schrauben durch die Handgriffe, den Kraftstofftankflansch und den Radstützrahmen führen. Nachdem eine Schraube eingesetzt ist, die entsprechende Mutter jeweils mit der Hand festziehen.
5. Wenn alle Schrauben angebracht sind, die Muttern fest anziehen.

(siehe Abbildung 3, Seite 2)

A. Auslaß für heiße Luft, **B.** Schraube, **C.** Vorderer Handgriff, **D.** Hinterer Handgriff, **E.** Lufteinlaß des Heizgerätes, **F.** Verlängerte Radnabe, **G.** Achse, **H.** Rad, **I.** Mutter, **L.** Überwurfmutter, **M.** Radstützrahmen, **N.** Kraftstofftankflansch.

ENTLÜFTUNG

ACHTUNG: Die Mindestvorschriften für die Entlüftung beachten. Falls nicht ausreichend frische Außenluft zugeführt wird, kann Kohlenmonoxydvergiftung die Folge sein.

Stellen Sie eine Frischluftöffnung von mindestens 2800 cm² pro 29 kW zur Verfügung. Falls mehrere Heizgeräte eingesetzt werden, muß für eine zusätzliche Frischluftzufuhr gesorgt werden. **Beispiel:** Ein 44 kW Heizgerät benötigt eine der folgenden Voraussetzungen;

- ein Doppelgaragentor 5 Meter Öffnung, das 9 cm geöffnet ist.
- ein Einfachgaragentor 3 Meter Öffnung, das 15 cm geöffnet ist;
- zwei 76 cm breite Fenster, die 28 cm hoch geöffnet sind;

ARBEITSWEISE

Das Kraftstoffsystem: Die Luftpumpe drückt Luft durch die Luftleitung. Die Luft wird dann durch die Brennkopfdüse gedrückt. Die Luft verursacht, daß der Kraftstoff aus dem Tank nach oben gesaugt wird. Ein feiner Kraftstoffnebel wird in die Brennkammer gesprüht.

Das Luftsystem: Der Motor treibt den Lüfter an. Der Lüfter treibt die Luft in und um die Brennkammer. Diese Luft wird erhitzt und liefert einen sauberen, heißen Luftstrom.

Das Zündsystem: Die Zündstromanlage sendet Zündstrom an den Zünder. Dieser entzündet das Kraftstoff-/Luftgemisch in der Brennkammer.

Die Sicherheitsvorrichtung: Dieses System bewirkt, daß sich das Heizgerät abschaltet, sobald die Flamme erlischt.

(siehe Abbildung 4, Seite 2)

A. Auslaß von sauberer Heißluft, **B.** Brennkammer, **C.** Zünder **D.** Brennkopf, **E.** Lüfter, **F.** Motor, **G.** Luftpumpe, **H.** Frischluftfilter, **I.** Kaltlufteinlaß, **L.** Auslaßluftfilter, **M.** Elektronische Zündung, **N.** Luftleitung zum Brenner, **O.** Kraftstofffilter, **P.** Düse, **Q.** Kraftstofftank, **R.** Luft für das Verbrennungssystem, **S.** Luft für Verbrennung und Heizung, **T.** Kraftstoff.

BEDIENUNG

ACHTUNG: Die Warnungen im Abschnitt Sicherheitsinformationen müssen gelesen und verstanden werden.

EINSCHALTEN DES HEIZGERÄTS

1. Alle Informationen bezüglich Entlüftung und Sicherheitsmaßnahmen befolgen.
2. Den Kraftstofftank mit Heizöl EL auffüllen.
3. Den Kraftstofftankdeckel anbringen.
4. Das Netzkabel des Heizgerätes an eine standardmäßige Schutzkontaktsteckdose (220V/50 Hz, geerdet) anschließen. Wenn nötig, ein Verlängerungskabel verwenden. Nur ein geerdetes Verlängerungskabel mit Dreistiftstecker verwenden.

Bestimmung über die Drahtstärke von Verlängerungskabel:

Bis zu einer Länge von 30 m ein Kabel mit 1,0 mm² (16 AWG) Leitern verwenden.

Zwischen 30 und 60 m ein Kabel mit 1,5 mm² (14 AWG) Leitern verwenden.

Den EIN/AUS-Schalter auf EIN(!) stellen und das Heizgerät sollte sich nach 5 Sekunden einschalten. Wenn das Heizgerät nach fünf Sekunden nicht startet, siehe *Fehlersuche*.

ABSCHALTEN DES HEIZGERÄTES

Den EIN-/AUS-Schalter auf AUS (OFF) drücken.

ZUM ZURÜCKSETZEN DES HEIZGERÄTS

1. Warten Sie 2 Minuten nach dem Abstellen des Heizgerätes.
2. Wiederholen Sie die Schritte unter *Einschalten des Heizgerätes*.

(siehe Abbildung 5 und 6, Seite 2)

A. EIN/AUS-Schalter mit Leuchte, **B.** Sicherheitsvorrichtungsrückstellknopf

LAGERUNG, TRANSPORT, VERSAND

Hinweis: Transportfirmen verlangen, daß die Kraftstofftanks bei einem Versand leer sind.

1. Entleeren Sie den Kraftstofftank.

Hinweis: Einige Modelle haben eine Ablasschraube auf der Unterseite des Kraftstofftanks. Ist dies der Fall, entfernen Sie die Ablasschraube, um den Kraftstoff abfließen zu lassen. Falls das Heizgerät keine Ablasschraube besitzt, den Kraftstoff durch

- die Kraftstoff-deckelöffnung abfließen lassen. Vergewissern Sie sich, daß der gesamte Kraftstoff abgelassen ist.
2. Die Ablassschraube, falls erforderlich, wieder anbringen.
 3. Falls im alten Kraftstoff Verschmutzung festgestellt wird, 1 oder 2 Liter (1 oder 2 quarts) reines Kerosin in den Tank füllen, umrühren, und den Tank noch einmal entleeren. Auf diese Weise wird für den zukünftigen Betrieb die Verstopfung der Filter durch Rückstände vermieden.
 4. Den Kraftstoffdeckel oder die Ablassschraube wieder anbringen. Alten und schmutzigen Kraftstoff ordnungsgemäß

- entsorgen. Setzen Sie sich mit örtlichen Tankstellen in Verbindung, die Öl recyceln.
5. Falls das Heizgerät gelagert wird, soll es an einem trockenen Ort gelagert werden. Sicherstellen, daß der Lagerort frei von Staub und korrosiven Gasen ist.
- WICHTIG:** Kerosin nicht über den Sommer zur Verwendung in der nächsten Heizperiode lagern. Die Verwendung alten Kraftstoffs könnte das Heizgerät beschädigen.

REGELMÄSSIGE WARTUNG

ACHTUNG: Keine Wartungsarbeiten vornehmen, solange das Heizgerät an der Steckdose angeschlossen, in Betrieb oder heiß ist. Nichtbeachtung kann zu schweren Verbrennungen und Elektroschock führen.

Teil	Häufigkeit	Durchführung
Kraftstofftank	Alle 150 bis 200 Betriebsstunden oder nach Bedarf durchspülen.	Siehe <i>Lagerung, Transport oder Versand</i> , weiter oben.
Luftauslaß- und Staubfilter	Einmal im Jahr oder alle 500 Betriebsstunden	Siehe <i>Luftauslaß-, Lufteinlaß- und Staubfilter</i> , Seit. 4
Luftansaugfilter	Alle 500 Betriebsstunden oder bei Bedarf mit Wasser und Seife waschen und trocknen	Siehe <i>Luftauslaß-, Lufteinlaß- und Staubfilter</i> , Seit. 4
Kraftstofffilter	Zweimal während der Heizungsperiode oder nach Bedarf reinigen	Siehe <i>Kraftstofffilter</i> , Seite 4
Zündkerze	Alle 600 Betriebsstunden reinigen und einstellen oder nach Bedarf ersetzen.	Siehe <i>Zündkerze</i> , Seite 4.
Lüfterflügel	Jede Saison oder nach Bedarf reinigen	Siehe <i>Lüfter</i> , Seite 5.
Motor	Wartungsfrei, permanent geschmiert	

FEHLERSUCHE

ACHTUNG: Niemals ein Heizgerät warten, das eingesteckt, in Betrieb oder heiß ist. Schwerer Stromschlag und schwere Verbrennungen können die Folge sein.

BEOBACHTETER FEHLER	MÖGLICHE URSACHE	ABHILFE
Das Heizgerät entzündet sich, aber die Sicherheitsvorrichtung schaltet das Gerät nach kurzer Zeit ab.	<ol style="list-style-type: none"> 1. Falscher Pumpendruck 2. Luftauslaß-, Lufteinlaß- und Staubfilter schmutzig 3. Schmutzige Kraftstofffilter 4. Schmutz in der Düse 5. Schmutzige Photozellenlinse 6. Sicherheitsvorrichtung ausgefallen 	<ol style="list-style-type: none"> 1. Siehe <i>Pumpendruckeinstellung</i>, Seite 4. 2. Siehe <i>Luftauslaß-, Lufteinlaß- und Staubfilter</i>, Seite 4. 3. Siehe <i>Kraftstofffilter</i>, Seite 4. 4. Siehe <i>Düse</i>, Seite 5. 5. Photozellenlinse reinigen. 6. Sicherheitsvorrichtung ersetzen.
Das Heizgerät entzündet sich nicht, aber der Motor läuft eine kurze Zeitspanne.	<ol style="list-style-type: none"> 1. Falscher Pumpendruck 2. Zündkerze verrußt und/oder falscher Elektrodenabstand 3. Schmutzige Kraftstofffilter 4. Schmutz in der Düse 5. Wasser im Kraftstofftank 	<ol style="list-style-type: none"> 1. Siehe <i>Pumpendruckeinstellung</i>, Seite 4. 2. Siehe <i>Zündkerze</i>, Seite 4. 3. Siehe <i>Kraftstofffilter</i>, Seite 4. 4. Siehe <i>Düse</i>, Seite 5. 5. Kraftstofftank entleeren und mit reinem Kerosin ausspülen. Siehe <i>Lagerung, Transport oder Versand</i>, Seite 2.
ACHTUNG: Hochspannung!		
	<ol style="list-style-type: none"> 6. Elektronischer Zünder ist nicht geerdet 7. Elektronischer Zünder ausgefallen 	<ol style="list-style-type: none"> 6. Vergewissern Sie sich, daß die elektronische Zündung stramm befestigt ist. 7. Den elektronischen Zünder ersetzen.
Der Motor springt nicht an, wenn das Heizgerät an die Steckdose angeschlossen wird, der Lüfter dreht sich langsam oder gar nicht.	<ol style="list-style-type: none"> 1. Sicherheitsvorrichtung nicht zurückgesetzt 2. Pumpenrotor klemmt 	<ol style="list-style-type: none"> 1. Knopf der Sicherheitsvorrichtung zurücksetzen, siehe Abbildungen 5 und 6. 2. Wenn sich der Lüfter nur schwer drehen läßt, siehe <i>Pumpenrotor</i>, Seite 5.

WARTUNGSVERFAHREN

ACHTUNG: Nie Wartungsarbeiten vornehmen, solange das Heizgerät an der Steckdose angeschlossen, in Betrieb oder heiß ist. Nichtbeachtung kann zu schweren Verbrennungen und Elektroschock führen.

ENTFERNEN DES OBEREN GEHÄUSES

1. Die Schrauben und Federringe entlang den beiden Seiten des Heizgerätes mit einem CH 8 Zoll Steckschlüssel entfernen. Diese Schrauben halten das obere und untere Gehäuse zusammen.
2. Das obere Gehäuse abheben.
3. Die Lüfterabdeckung entfernen.

KRAFTSTOFFFILTER -(10 kW und 20 kW Modelle)-

1. Die Schrauben der Seitenabdeckung mit einem CH8 Zoll Steckschlüssel entfernen.
2. Die Seitenabdeckung abnehmen.
3. Den Gummi-Kraftstoffschlauch vom Kraftstofffiltersockel entfernen.
4. Die Buchse und den Kraftstofffilter sorgfältig aus dem Kraftstofftank ziehen.
5. Den Kraftstofffilter mit reinem Kraftstoff waschen und wieder am Tank einsetzen.
6. Den Gummi-Kraftstoffschlauch wieder am Kraftstofffiltersockel anschließen.
7. Die Seitenabdeckung wieder anbringen.

KRAFTSTOFFFILTER -(29 kW und 44 kW Modelle)-

1. Die Schrauben der Seitenabdeckung mit einem CH8 Zoll Steckschlüssel entfernen.
2. Die Seitenabdeckung abnehmen.
3. Die obere Kraftstoffleitung vom Kraftstofffiltersockel abziehen.
4. Die Buchse, die untere Kraftstoffleitung und den Kraftstofffilter sorgfältig aus dem Kraftstofftank ziehen.
5. Den Kraftstofffilter mit reinem Kraftstoff waschen und wieder am Tank einsetzen.
6. Die obere Kraftstoffleitung wieder am Kraftstofffiltersockel anschließen.
7. Die Seitenabdeckung wieder anbringen.

(siehe Abbildung 7 und 8, Seite 2)

A. Oberes Gehäuse, **B.** Lüfterabdeckung

(siehe Abbildung 9, Seite 2)

A. Kraftstofffilter, **B.** Seitenabdeckung, **C.** Obere Kraftstoffleitung

(siehe Abbildung 10, Seite 2)

A. Kraftstofffilter, **B.** Buchse und untere Kraftstoffleitung, **C.** Obere Kraftstoffleitung, **C.** Seitenabdeckung.

ZÜNDKERZE -(10 kW Modell)-

1. Das obere Gehäuse entfernen (siehe Abb. 7-8).
2. Den Lüfter entfernen (siehe Seite 5).
3. Die Kraftstoff- und Luftschläuche vom Düsenaufbau entfernen.
4. Das Zündkabel von der Zündkerze entfernen.
5. Die beiden Schrauben mit einem CH 8 Steckschlüssel entfernen und die Brennerhalterung entfernen.
6. Den Sechskant der Zündkerze in einer Zwinge einspannen und festziehen.
7. Die Zündkerzenmutter mit einem CH 21 Gabelschlüssel entfernen.
8. Die Brennerhalterung von der Zündkerze entfernen.
9. Die Zündkerzenelektroden reinigen und den Elektrodenabstand auf 1,4 mm einstellen.
10. Die Brennerhalterung wieder auf der Zündkerze montieren. Die Brennerhalterung zur Positionierung der Zündkerzenelektroden drehen (siehe Abb. 13).
11. Die Zündkerze mit einem Zündkerzensteckschlüssel festziehen.
12. Den Sechskant der Zündkerze aus der Zwinge ausspannen.
13. Die Brennerhalterung wieder auf der Brennkammer anbringen.
14. Das Zündkerzenkabel an der Zündkerze anschließen.

15. Die Kraftstoff- und Luftschläuche am Düsenaufbau anschließen.
16. Den Lüfter wieder einbauen (siehe Seite 5).
17. Die Lüfterabdeckung und das obere Gehäuse wieder einbauen.

(siehe Abbildung 11, Seite 2)

A. Brennkammer, **B.** Zündkerzenmutter, **C.** Brennerhalterung, **D.** Zündkerze, **E.** Zündkerzenkabel, **F.** Düsenaufbau, **G.** Kraftstoffschlauch, **H.** Luftschlauch

(siehe Abbildung 12, Seite 2)

A. Zur Abstandein-stellung hier biegen

(siehe Abbildung 13, Seite 2)

A. Brennerhalterung.

ZÜNDKERZE -(20, 29, 44 kW Modelle)-

1. Das obere Gehäuse entfernen (siehe Abb. 7-8).
2. Den Lüfter entfernen (siehe Seite 5).
3. Das Zündkabel von der Zündkerze entfernen.
4. Die Zündkerze mit einem CH 21 Gabelschlüssel aus dem Brennkopf ausbauen.
5. Die Zündkerzenelektroden reinigen und wie folgt einstellen: **20, 29 kW Modelle:** 1,9 mm; **44 kW Modelle:** 2,8 mm einstellen.
6. Die Zündkerze in den Brennkopf einbauen.
7. Das Zündkerzenkabel an der Zündkerze anschließen.
8. Den Lüfter wieder einbauen (siehe Seite 5).
9. Die Lüfterabdeckung und das obere Gehäuse wieder einbauen.

(siehe Abbildung 14, Seite 2)

A. Brennkopf, **B.** Zündkerzenkabel, **C.** Zündkerze

(siehe Abbildung 15, Seite 2)

A. Zur Abstandein-stellung hier biegen, **B.** Abstand

LUFTAUSLASS-, LUFTEINLASS- UND STAUBFILTER

1. Oberes Gehäuse entfernen (siehe Abb. 7-8).
2. Die Schrauben der Filterendabdeckung mit einem CH 8 Steckschlüssel entfernen.
3. Filterendabdeckung entfernen.
4. Den Luftauslaßfilter und den Staubfilter ersetzen.
5. Den Lufteinlaßfilter waschen oder ersetzen (siehe *Regelmäßige Wartung*, Seite 3).
6. Die Filterendabdeckung wieder einbauen.
7. Die Lüfterabdeckung und das obere Gehäuse wieder einbauen.

WICHTIG: Die Filter nicht ölen!

PUMPENDRUCKEINSTELLUNG

1. Den Druckmesserstopfen von der Filterendabdeckung entfernen.
2. Den Zusatzgerät-Druckmesser (Teilnr. 4109.427) einbauen.
3. Das Heizgerät einschalten (Siehe *Bedienung*, Seite 4). Den Motor auf volle Drehzahl beschleunigen lassen.
4. Den Druck einstellen. Das Überdruckventil nach rechts drehen, um den Druck zu erhöhen. Das Überdruckventil nach links drehen, um den Druck zu verringern. Der korrekte Druck für jedes Modell ist der Spezifikationstabelle rechts zu entnehmen.
5. Den Druckmesser entfernen. Den Druckmesserstopfen wieder in die Filterendabdeckung einbauen.

Modell	Pumpendruck (Bar/PSI)
10 kW	0,207 / 3
20 kW	0,365 / 5,3
30 kW	0,275 / 4
43 kW	0,337 / 4,9

(siehe Abbildung 16 und 17, Seite 2)

A. Lufteinlaßfilter, B. Filterendabdeckung, C. Lüfterabdeckung
D. Luftauslaßfilter, E. Staubfilter.

(siehe Abbildung 18, Seite 3)

A. Druckmesserstopfen, B. Überdruckventil, C. Kunststoffkappe

(siehe Abbildung 19, Seite 3)

A. Druckmesser

DÜSE -(10 kW Modell)-

1. Das obere Gehäuse entfernen (siehe Seite 4).
2. Den Lüfter entfernen (siehe Seite 5).
3. Die Kraftstoff- und Luftschläuche vom Düsenaufbau entfernen.
4. Die Düseneinheit eine Vierteldrehung nach links drehen und zum Motor hin ziehen, um sie zu entfernen.
5. Den Kunststoff-Sechskant in einer Zwinde einspannen und leicht festziehen.
6. Die Düse mit einem CH 16 Steckschlüssel behutsam vom Düsenadapter ziehen.
7. Druckluft von vorne durch die Düse blasen. Dies macht den Düsenbereich staubfrei.
8. Die Düsendichtung auf Beschädigung untersuchen.
9. Die Düse wieder in den Düsenadapter einbringen, bis die Düse sitzt. Mit einem CH 16 Steckschlüssel eine weitere Drittelumdrehung (mit 4,5-5,1 Nm) festziehen.
10. Die Düseneinheit an der Brennerhalterung montieren.
11. Die Kraftstoff- und Luftschläuche an die Düseneinheit anschließen.
12. Den Lüfter wieder einbauen (siehe Seite 5).
13. Die Lüfterabdeckung und das obere Gehäuse wieder einbauen.

(siehe Abbildung 20 und 21, Seite 3)

A. Brennkammer, B. Brennerhalterung, C. Düseneinheit, D. Kraftstoffschlauch, E. Luftschlauch

(siehe Abbildung 22, Seite 3)

A. Düsenvorderseite, B. Düsendichtung, C. Kraftstoff-schlauch-fitting, D. Luftschlauchfitting, E. Düsenadapter, F. Düse

DÜSE -(20, 29, 44 kW Modell)-

1. Das obere Gehäuse entfernen (siehe Seite 4).
2. Den Lüfter entfernen (siehe Seite 5).
3. Die Kraftstoff- und Luftschläuche vom Brennkopf entfernen.
4. Das Zündkerzenkabel von der Zündkerze entfernen.
5. Die Zündkerze mit einem CH 21 Gabelschlüssel aus dem Brennkopf entfernen.
6. Die drei Schrauben mit einem CH 8 Steckschlüsselentfernen und den Brennkopf aus der Brennkammer ausbauen.
7. Den Brennkopf in einer Zwinde einspannen und leichtfestziehen.
8. Die Düse mit einem CH 16 Steckschlüssel behutsam vom Brennkopf entfernen (Siehe Abbildung 24).
9. Druckluft von vorne durch die Düse blasen. Dies macht den Düsenbereich staubfrei.
10. Die Düsendichtung auf Beschädigung untersuchen.
11. Die Düse wieder in den Brennkopf einbringen und strammfestziehen (mit 9,1-12,4 Nm).
12. Den Brennkopf an der Brennkammer montieren.
13. Die Zündkerze im Brennkopf montieren.
14. Das Zündkerzenkabel an der Zündkerze anschließen.
15. Die Kraftstoff- und Luftschläuche am Brennkopf anschließen.
16. Den Lüfter wieder einbauen (siehe Seite 5).
17. Die Lüfterabdeckung und das obere Gehäuse wieder einbauen.

(siehe Abbildung 23, Seite 3)

A. Brennkammer, B. Brennkopf, C. Zündkerzenkabel, D. Zündkerze, E. Kraftstoffschlauch, F. Luftschlauch, G. Luftschlauch

(siehe Abbildung 24, Seite 3)

A. Düsenvorderseite, B. Düsendichtung, C. Kraftstoff-schlauch-fitting, D. Luftschlauchfitting, E. Brennkopf, F. Düse

PUMPENROTOR

(Verfahren, wenn die Pumpe festgefressen ist)

1. Das obere Gehäuse entfernen (siehe Seite 4).
2. Die Filterendabdeckungs-schrauben mit einem CH 8 Zoll Steckschlüssel entfernen.
3. Die Filterendabdeckung und die Luftfilter entfernen.
4. Die Pumpenplattenschrauben mit einem CH 8 Zoll Steckschlüssel entfernen.
5. Die Pumpenplatte entfernen.
6. Den Rotor, den Einsatz und die Flügelentfernen.
7. Nach Schmutz in der Pumpe suchen. Wenn Schmutz gefunden wird, die Pumpe mit Druckluft reinigen.
8. Den Einsatz und den Rotor einbauen.
9. Den Rotorschlitz überprüfen. Bei Bedarf auf 0,076/0,101 mm einstellen. (Siehe Abb. 25). *Hinweis:* Den Rotor eine volle Umdrehung drehen, um sicherzustellen daß der Schlitz in der engsten Position 0,076/0,101 mm mißt. Bei Bedarf einstellen.
10. Die Flügel, die Pumpenplatte, die Luftfilter und die Filterendabdeckung einbauen.
11. Die Lüfterabdeckung und das obere Gehäuse wieder einbauen.
12. Den Pumpendruck einstellen (siehe Seite 4). *Hinweis:* Wenn der Rotor noch immerklemt, folgendermaßen vorgehen:
13. Die Schritte 1 bis 6 wie oben durchführen.
14. Feines Sandpapier (600 Körnung) auf einer flachen Oberfläche auflegen. Den Rotor viermal leicht mit einer "8er-Bewegung" abschmiegeln (siehe Abbildung 26).
15. Den Einsatz und den Rotor wieder einbauen.
16. Die Schritte 10 bis 12 wie oben durchführen.

(siehe Abbildung 25 und 26, Seite 3)

A. Flügel, B. Pumpenplatte, C. Lufteinlaß-filter, D. Filterendabdeckung, E. Lüfterabdeckung, F. Luftauslaß-filter, G. Rotor, H. Einsatz.

(siehe Abbildung 27, Seite 3)

A. Schlitzstellschraube, B. 0,076/0,101mm Abstand Mit Fühllehre gemessen, C. Flügel

(siehe Abbildung 28, Seite 3)

A. Sandpapier

LÜFTER

WICHTIG: Den Lüfter von der Motorwelle entfernen, bevor der Motor vom Heizgerät entfernt wird. Das Gewicht des Motors, das auf dem Lüfter lastet, könnte die Lüfterflügel verbiegen.

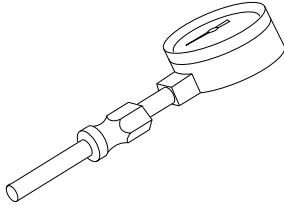
1. Das obere Gehäuse entfernen (siehe Abb. 7-8).
2. Mit einem CH 2,5 Zoll Inbusschlüssel die Schrauben lösen, mit denen der Lüfter an der Motorwelle befestigt ist.
3. Den Lüfter von der Motorwelle schieben.
4. Den Lüfter mit einem weichen, mit Kerosin oder einem mit Lösungsmittel getränkten Tuch reinigen.
5. Den Lüfter gründlich trocknen lassen.
6. Den Lüfter wieder auf der Motorwelle anbringen. Die Lüfternabe bündig mit dem Ende der Motorwelle plazieren (siehe Abbildung 28).
7. Die Stellschraube auf dem flachen Teil der Welle ansetzen. Die Stellschraube gut festziehen (mit 4,5-5,6 Nm).
8. Die Lüfterabdeckung und das obere Gehäuse wieder anbringen.

(siehe Abbildung 29 und 30, Seite 3)

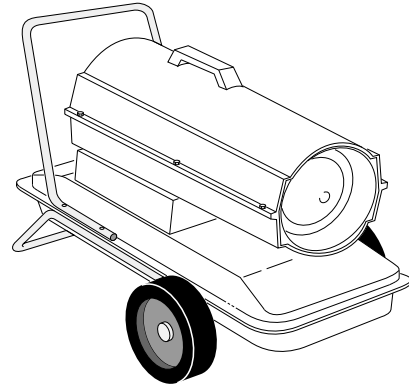
A. Lüfter, B. Motorwelle, C. Stellschraube, D. Bündig.

ZUSATZGERÄTE

Zusatzgeräte sind bei Ihrem zuständigen Händler erhältlich.

**LUFTDRUCKMESSER -4109.427**

Für alle Modelle. Spezialwerkzeug zur Pumpendruckprüfung.

**SATZ HOCHLEISTUNGSRÄDER UND -GRIF -4103.925**

Für Anwendungen mit starker Beanspruchung. Macht Ihr Heizgerät noch transportabler und praktischer. Für 10 kW und 10 kW Modelle.

GARANTIE UND REPARATURDIENST

BESCHEINIGUNG FÜR VERSCHIEDENE GERÄTE: AUF 1 JAHR BESCHRÄNKTE GARANTIE

Innerhalb der Garantiefrist von 1 Jahr haftet DESA Italia für Material und Fertigungsfehler. Diese Garantie gilt für einen Zeitraum von 1 Jahr ab der Übernahme durch den Erstanwender und unterliegt folgenden Bedingungen:

Unter dieser Garantie ist DESA Italia lediglich zur Reparatur oder dem Ersatz von Teilen verpflichtet, die nach Einschätzung von DESA Italia das Herstellerwerk aufgrund von Fertigungs- oder Materialfehlern schadhafte verlassen haben. Solche Teile werden während der normalen Arbeitszeit für den Kunden unentgeltlich in der Niederlassung einer Vertragswerkstätte ersetzt oder repariert. Die Garantie schließt Teile oder Baugruppen, die nicht von DESA Italia hergestellt wurden und die über eine eigene Garantie vom jeweiligen Hersteller verfügen, sowie normale Wartungsarbeiten (wie zum Beispiel Druckeinstellungen) und Wartungsteile (wie zum Beispiel Filter und Zündkerzen) ausdrücklich aus. Ersetzte und reparierte Teile, die gemäß dieser Garantie im Produkt eingebaut werden, sind nur für den Rest der Garantiefrist durch die Garantie gedeckt, als ob sie ursprünglich mit dem Produkt geliefert worden wären. DESA ITALIA BIETET KEINE WEITEREN AUSDRÜCKLICHEN GARANTIE. IM RAHMEN DER EXISTIERENDEN GESETZE BIETET DESA KEINE STILLSCHWEIGENDE GARANTIE UND HAFTET KEINESFALLS IN BEZUG AUF DEN WIEDERVERKAUFSWERT ODER DIE EIGNUNG FÜR SPEZIELLE ANWENDUNGEN. IN ALLEN FÄLLEN IST JEDE STILLSCHWEIGENDE GARANTIE, EINSCHLIESSLICH FÜR DEN WIEDERVERKAUFSWERT UND

DIE EIGNUNG FÜR SPEZIELLE ANWENDUNGEN, AUF DIE DAUER DIESER AUSDRÜCKLICHEN GARANTIE BESCHRÄNKT.

Der Kunde ist für jegliche Transportkosten, Montagekosten, Steuern oder Zölle, sowie für alle anderen anfallenden Kosten verantwortlich. DESA Italia ist unter dieser beschränkten Garantie auf keinen Fall für direkte oder indirekte Neben- bzw. Folgeschäden oder Verzögerungen haftbar. Auf Verlangen von DESA Italia sind alle Produkte oder Teile, für die Anspruch auf eine Garantieleistung erhoben wird, vom Käufer mit vorbezahlten Frachtkosten an das Werk zurückszusenden. Der unvorschriftsmäßige Gebrauch, einschließlich des Betriebs nach der Feststellung von Mängeln, Überbeanspruchung, die Verwendung von nicht genehmigten Ersatzteilen oder die Vornahme von jeglichen Veränderungen oder Reparaturen durch andere, durch die nach Ermessen von DESA das Produkt erheblich und abträglich beeinträchtigt wird, bewirken den sofortigen Verfall dieser Garantie.

DIESE GARANTIE KANN DURCH KEINEN ANGESTELLTEN ODER VERTRETER GEÄNDERT ODER ERGÄNZT WERDEN, ES SEI DENN, DIESE ÄNDERUNG ERFOLGT IN SCHRIFTLICHER FORM UND IST VON EINEM ZEICHNUNGSBERECHTIGTEN VON DESA ITALIA IN DER HAUPTNIEDERLASSUNG UNTERZEICHNET WORDEN.

GARANTIELEISTUNGEN

Wenn Sie sich mit dem Werk in Verbindung setzen, geben Sie stets die Modell- und Seriennummern an.

Das Recht zur Änderung der vorliegenden Spezifikationen ist vorbehalten. Wir bieten nur die allgemeine, schriftlich vorliegende Garantie. Wir bieten keine anderen ausdrücklichen oder stillschweigenden Garantien.

Ein Werkstatthandbuch kann schriftlich vom technischen Kundendienst unter der folgenden Adresse bestellt werden:

VERPLAATSBARE HETELUCHTKANONNEN

GEBRUIKERSHANDLEIDING

BELANGRIJK: Lees deze handleiding en zorg dat u hem begrijpt alvorens het heteluchtkanon in elkaar te zetten, aan te zetten of er onderhoud aan uit te voeren. Verkeerd gebruik van dit heteluchtkanon kan tot ernstig letsel leiden. Bewaar deze handleiding voor toekomstig gebruik.

VEILIGHEIDSINFORMATIE

WAARSCHUWING

BELANGRIJK: Lees deze gebruikershandleiding aandachtig en volledig door alvorens het heteluchtkanon in elkaar te zetten, aan te zetten of er onderhoud aan uit te voeren. Verkeerd gebruik van dit heteluchtkanon kan leiden tot letsel of de dood als gevolg van brandwonden, brand, ontploffing, elektrische schok of koolmonoxydevergiftiging.

GEVAAR: Koolmonoxydevergiftiging kan de dood tot gevolg hebben!

Koolmonoxydevergiftiging: Aanvankelijke symptomen van koolmonoxydevergiftiging lijken op griep met hoofdpijn, duizeligheden/of misselijkheid. Als u deze symptomen vertoont, kan het zijn dat het heteluchtkanon niet naar behoren werkt. **Zorg dat u onmiddellijk frisse lucht krijgt!** Laat de kachel nakijken. Sommige mensen hebben meer last van koolmonoxydevergiftiging dan anderen. Hieronder vallen zwangere vrouwen, mensen met hart- of longziekten of bloedarmoede, mensen onder de invloed van alcohol en mensen die zich op grote hoogte boven zeeniveau bevinden.

Zorg dat u alle waarschuwingen leest en begrijpt. Bewaar deze handleiding voor toekomstig gebruik. Deze handleiding biedt uitkomst voor het veilige en juiste gebruik van deze kachel.

- Gebruik uitsluitend huisbrandolie nr. 1 (hbo 1) om brand- en explosiegevaar te beperken. Gebruik nooit benzine, nafta, verfdunner, alcohol of andere brandgevaarlijke brandstoffen.
- Bijvullen
 - a) Het personeel dat brandstof toedient dient bevoegd te zijn en goed bekend met de aanwijzingen van de fabrikant en de toepasselijke voorschriften voor het bijvullen van heteluchtkanonnen.
 - b) Uitsluitend het soort brandstof opgegeven op het gegevensplaatje van het heteluchtkanon mag worden gebruikt.
 - c) Voor het bijvullen moeten alle vlammen, met inbegrip van het waakvlammetje, worden gedoofd en moet het heteluchtkanon afkoelen.
 - d) Tijdens het bijvullen moeten alle brandstofleidingen en -aansluitingen op lekken worden gecontroleerd. Lekken moeten worden gerepareerd alvorens het heteluchtkanon weer in gebruik te nemen.
 - e) Nooit mag een voorraad verwarmingsbrandstof voor meer dan één dag in een gebouw in de nabijheid van het heteluchtkanon worden opgeslagen. Grote hoeveelheden brandstof dienen buiten het gebouw te worden opgeslagen.
 - f) Alle brandstof dient ten minste 8 m van heteluchtkanonnen, blaaslampen, lasapparatuur en soortgelijke ontstekingsbronnen te worden opgeslagen (behalve de brandstoftank van het heteluchtkanon).
 - g) Zo mogelijk dient brandstof te worden opgeslagen op plaatsen waar geen mogelijkheid bestaat dat de brandstof door de vloer op een lager gelegen vuur druppelt of daardoor wordt ontstoken.
 - h) De brandstof moet worden opgeslagen conform de voorschriften van de competente landelijke of plaatselijke overheid.

- Gebruik het heteluchtkanon nooit in de buurt van benzine, verfdunner of brandgevaarlijke dampen.
- Volg alle wettelijke voorschriften bij gebruik van dit heteluchtkanon.
- Heteluchtkanonnen die worden gebruikt in de nabijheid van dekkleden, canvas of soortgelijk bedekkingsmateriaal dienen zich op veilige afstand van deze stoffen te bevinden. De aanbevolen minimumafstand is 3 m. Het wordt verder aanbevolen brandvertragend bedekkingsmateriaal te gebruiken. Dit bedekkingsmateriaal moet stevig worden vastgemaakt om te voorkomen dat het bij een windstoot ontbrandt of het heteluchtkanon doet omvallen.
- Alleen in goed geventileerde ruimten gebruiken. Zorg voor ten minste één opening van 2800 cm² voor iedere 29 kW vermogen voor de toevoer van frisse buitenlucht.
- Gebruik het heteluchtkanon niet in ruimten met hoge concentraties van brandbare dampen of stof.
- Sluit het heteluchtkanon uitsluitend aan op de netspanning die op het modelplaatje is aangegeven.
- Gebruik uitsluitend een geaard verlengsnoer.
- Minimum afstand tussen het heteluchtkanon en brandbaar materiaal: uitlaatopening 2,5 m; zij-, boven- en achterkant: 1,25 m.
- Plaats het heteluchtkanon op een stevige en vlakke ondergrond zolang dit heet of in werking is; anders kan er brand ontstaan.
- Houd het heteluchtkanon recht tijdens het verplaatsen of opbergen; anders zal er brandstoflekage optreden.
- Houd kinderen en dieren uit de buurt van het heteluchtkanon.
- Neem de stekker uit het stopcontact wanneer het heteluchtkanon niet in gebruik is.
- Bij gebruik van de thermostaat kan het heteluchtkanon te allen tijden automatisch aanslaan.
- Gebruik het heteluchtkanon nooit in woon- of slaapvertrekken.
- Blokkeer nooit de toevoeropening (achterkant) of de uitlaatopening (voorkant) van het heteluchtkanon.
- Een werkende, hete of op het lichtnet aangesloten kachel mag niet verplaatst, gehanteerd of bijgevuld worden en er mag geen onderhoud aan uitgevoerd worden.
- Bevestig nooit een buizensysteem aan de voor- of achterkant van het heteluchtkanon.

PRODUKTIDENTIFIKATIE

(zie figuur 1 en 2, pagina 6)

A. Heteluchtuitlaat, **B.** Handvat, **C.** Ventilatorrooster, **D.** Luchtfilterdeksel, **E.** Dop brandstoftank, **F.** Netsnoer, **G.** AN/UIT-schakelaar met lampje, **H.** Zijpaneel, **I.** Brandstoftank, **L.** Onderste deel van behuizing, **M.** Bovenste deel van behuizing, **N.** Reset-knop vlamdoovingssysteem.

UITPAKKEN

1. Verwijder al het verpakkingsmateriaal dat voor verzending gebruikt is.
2. Haal alle onderdelen uit de doos.
3. Controleer alle onderdelen op eventuele schade, opgelopen tijdens verzending. Als het heteluchtkanon beschadigd is, dient u onmiddellijk de leverancier bij wie u het gekocht hebt, op de hoogte te brengen.

BRANDSTOFFEN

WAARSCHUWING: Gebruikuitsluitend huisbrandolie nr. 1 (hbo 1) om branden explosiegevaar te beperken.

Huisbrandolie nr. 2 (hbo 2) of diesel nr. 2 mag niet gebruikt worden. Gebruik van deze brandstoffen leidt tot:

- verstopping van brandstoffilter en sproeier;
 - verkoling van bougie;
 - noodzaak voor niet-giftig antivries in brand bij zeer koud weer
- BELANGRIJK:** Gebruik een container die UITSLUITEND VOOR DIESEL bestemd is. Zorg dat de container schoon is. Vuil in de brandstof, zoals roest of water, stellen het vlamdovingsstelsel in werking waardoor het heteluchtkanon afslaat. Daarnaast moet als gevolg van vuil het brandstofsysteem vaker worden schoongemaakt.

MONTAGE *-(Allen voor modellen 29 en 44 kW)-*

Deze modellen zijn voorzien van een onderstel met wielen en hendels. De wielen, hendels en montage-onderdelen bevinden zich in de doos.

Benodigd gereedschap

- Een middelgrote kruiskopschroevendraaier.
- Een steeksleutel of Engelse sleutel CH 8.
- Een hamer.

1. Schuif de as door het onderstel. Installeer de wielen op de as.

BELANGRIJK: Zorg dat de wielen met de kant met de uitstekende naaf naar het frame toe worden aangebracht (zie figuur 3).

2. Breng de asmoeren aan op de uiteinden van de as. Klop voorzichtig met een hamer op de moeren om ze vast te zetten.

3. Leg het heteluchtkanon op het onderstel. Zorg dat de luchtinlaatopening (achterkant) zich boven de wielen bevindt. Breng de gaten in de rand rond de brandstoftank in lijn met de gaten in het onderstel.

4. Plaats de voorste en achterste hendel op de rand rond de tank. Steek de schroeven door de hendels, de rand rond de tank en het onderstel. Bevestig na het aanbrengen van iedere schroef een moer; draai deze met de hand vast.

5. Draai alle moeren stevig vast nadat alle schroeven zijn aangebracht.

(zie figuur 3, pagina 2)

A. Heteluchtuitlaat, **B.** Schroef, **C.** Voorste hendel, **D.** Achterste hendel, **E.** Luchtinlaat, **F.** Uitstekende naaf, **G.** As, **H.** Wiel, **I.** Moer, **L.** Asmoer, **M.** Onderstel, **N.** Rand rond brandstoftank.

VENTILATIE

WAARSCHUWING: Het voorschrift voor minimale toevoer van frisse buitenlucht moet opgevolgd worden. Als voldoende frisse buitenlucht niet voorhanden is, kan koolmonoxydevergiftiging optreden.

Zorg voor een opening voor frisse lucht van ten minste 2800 cm² voor iedere aan vermogen. Zorg voor meer toevoer van frisse lucht indien meerdere kachels worden gebruikt.

Voorbeeld: Een heteluchtkanon van 44 kW vereist een van de volgende:

- een dubbele garagedeur [5 meter breed] die 9 cm van de grond geopend is.
- een enkele garagedeur [2,75 meter breed] die 15,25 cm van de grond geopend is.
- twee ramen met een breedte van 76 cm geopend op 28 cm.

OVERZICHT VAN DE WERKING

Het brandstofsysteem: De luchtpomp pompt lucht door de luchtslang. De lucht wordt vervolgens door de sproeier van de branderkop gestuurd. Deze lucht zuigt brandstof uit de tank aan. Een nevel van brandstof wordt vervolgens in de verbrandingskamer gespoten.

Het luchtsysteem: De motor drijft de ventilator aan. De ventilator stuwt lucht in en rond de verbrandingskamer. Deze lucht wordt verwarmd en levert een schone, hete luchtstroom.

Het ontstekingsstelsel: De elektronische ontsteking stuurt spanning naar de bougie. De bougie ontsteekt het mengsel van brandstof en lucht.

Het vlamdovingsstelsel: Dit systeem dient om het heteluchtkanon uit te schakelen wanneer de vlam uitgaat.

(zie figuur 4, pagina 2)

A. Schone heteluchtstroom, **B.** Verbrandingskamer, **C.** Bougie, **D.** Branderkop, **E.** Ventilator, **F.** Motor, **G.** Huchtpomp, **H.** Luchtinlaatfilter, **I.** Koele lucht naar binnen, **L.** Luchtuitlaatfilter, **M.** Elektronisch ontstekingsmechanisme, **N.** Luchtslang naar brander, **O.** Brandstoffilter, **P.** Sproeier, **Q.** Brandstoftank, **R.** Lucht voor brandstofsysteem, **S.** Lucht voor verbranding en verwarming, **T.** Brandstof.

BEDIENING

WAARSCHUWING: Lees de waarschuwingen in het hoofdstuk Veiligheids-informatie nogmaals door en zorg dat u ze begrijpt.

HET HETELUCHTKANON AANZETTEN

1. Volg alle informatie over installatie, ventilatie en veiligheid.
2. Vul de tank met huisbrandolie nr. 1 (hbo 1).
3. Draai de dop op de tank.
4. Steek de stekker van de kachel in een standaard, geaard stopcontact van 230~V/50 Hz. Gebruik eventueel een verlengsnoer. Gebruik uitsluitend geaarde stekkers met drie pennen.

Verlengsnoeren

Gebruik 1,0 mm² geleider voor kabels met een lengte van minder dan 30,5 m.

Gebruik 1,5 mm² geleider voor kabels met een lengte van 30,5 m tot 61 m.

Duw de AAN/UIT-schakelaar naar AAN (ON) en het heteluchtkanon hoort aan te slaan. Als het heteluchtkanon niet aanslaat, druk dan op de reset-knop van het vlamdovingsstelsel (zie figuur 5 en 6).

HET HETELUCHTKANON UITZETTEN

Duw de AAN/UIT-schakelaar naar UIT (OFF).

HET HETELUCHTKANON OPNIEUW AANZETTEN

1. Wacht 2 minuten na het uitzetten van de kachel.
2. Herhaal de procedure op pagina 5 onder *Het heteluchtkanon aanzetten*.

(zie figuur 5 en 6, pagina 2)

A. AN/UIT-schakelaar met lampje, **B.** Reset-knop vlamdovingsstelsel

OPSLAG, VERVOER OF VERZENDING

Let op: Bij verzending vereisen transportbedrijven dat de brandstoftanks leeg zijn.

1. Laat de brandstoftank leeglopen.

Let op: Sommige modellen hebben een aftapstop aan de onderkant van de brandstoftank. Als deze aanwezig is, verwijder de aftapstop dan om alle brandstof te laten weglopen. Als het heteluchtkanon geen aftapstop heeft, moet de brandstof via de opening voor de brandstofdop verwijderd worden. Zorg dat alle brandstof uit de tank verwijderd wordt.

2. Breng de aftapstop weer aan, indien van toepassing.

3. Als u deeltjes in de oude brandstof ziet, giet dan 1 of 2 liter schone petroleum in de tank. Roeren en weer aftappen. Hierdoor wordt voorkomen dat overtollige deeltjes bij toekomstig gebruik de filters verstopen.

4. Breng de brandstofdop of aftapstop weer aan. Werp oude en vuile brandstof op verantwoorde wijze weg. Raadpleeg plaatselijke benzinstations die olie recyclen.
5. Berg het heteluchtkanon op een droge plaats op. Controleer of op deze plaats geen stof en roestvormende dampen aanwezig zijn.

BELANGRIJK: Gebruik petroleum die tijdens de zomermaanden opgeslagen is geweest, nooit in het volgende stookseizoen. Het gebruik van oude brandstof kan het heteluchtkanon beschadigen.

PREVENTIEF ONDERHOUD

WAARSCHUWING: Voer nooit onderhoud uit aan de kachel als de stekker niet uit het stopcontact is verwijderd of als de kachel nog werkt of heet is. Ernstige brandwonden of elektrische schok kunnen het gevolg zijn.

Onderdeel	Wanneer?	Onderhoud
Brandstoftank	Na iedere 150-200 bedrijfsuren of zonodig uitspoelen	Zie <i>Opslag, Vervoer of Verzending</i> .
Luchtuitlaat- en lintfilter	Na 500 bedrijfsuren of eens per jaar vervangen	Zie <i>Het luchtuitlaat luchtinlaat- en lint filter</i> , pagina 4.
Luchtinlaatfilter	Iedere 500 bedrijfsuren of zonodig met water en zeep wassen en laten drogen	Zie <i>Het luchtuitlaat-, luchtinlaat en lint filter</i> , pagina 4.
Brandstoffilter	Tweemaal per stookseizoen of zonodig schoonmaken	Zie <i>Brandstoffilter</i> , pagina 4.
Bougie	Iedere 600 bedrijfsuren schoonmaken en elektrodeafstand instellen of zonodig vervangen.	Zie <i>Bougie</i> , pagina 4.
Ventilatorschoepen	Eenmaal per stookseizoen of zo nodig schoonmaken	Zie <i>Ventilator</i> , pagina 5.
Motor	Niet vereist/permanente smering	

PROBLEMEN OPLOSSEN

WAARSCHUWING: Voer nooit onderhoud uit aan de kachel als de stekker niet uit het stopcontact is verwijderd of als de kachel nog werkt of heet is. Ernstige brandwonden of elektrische schok kunnen het gevolg zijn.

PROBLEEM	MOGELIJKE OORZAAK	OPLOSSING
Kachel slaat aan maar vlamdovings-systeem zet de kachel na enige tijd uit.	<ol style="list-style-type: none"> 1. Verkeerde pompdruk. 2. Vuile luchtuitlaat-, luchtinlaat- en lintfilter. 3. Vuile brandstoffilter 4. Vuil in sproeier 5. Vuile fotocellens 6. Defekt vlamdovingsstelsysteem 	<ol style="list-style-type: none"> 1. Zie <i>De pompdruk bijstellen</i>, pagina 4. 2. Zie <i>Het luchtuitlaat-, luchtinlaat- en lint filter</i>, pagina 4. 3. Zie <i>Brandstoffilter</i>, pagina 4. 4. Zie <i>Sproeier</i>, pagina 5. 5. Lens van fotocel schoonmaken. 6. Vlamdovingsstelsysteem vervangen.
Kachel slaat niet aan maar motor werkenige tijd.	<ol style="list-style-type: none"> 1. Verkeerde pompdruk 2. Koolstofafzetting op bougie of verkeerde elektrodeafstand 3. Vuile brandstoffilter 4. Vuil in sproeier 5. Water in brandstoftank 	<ol style="list-style-type: none"> 1. Zie <i>De pompdruk bijstellen</i>, pagina 4. 2. Zie <i>Bougie</i>, pagina 4. 3. Zie <i>Brandstoffilter</i>, pagina 4. 4. Zie <i>Sproeier</i>, pagina 5. 5. Tank laten leeglopen en uitspoelen met schone lichtpetroleum. Zie <i>Opslag, Vervoer of Verzending</i>, pagina 2.
	<ol style="list-style-type: none"> 6. Elektronisch ontstekingsmechanisme niet geaard 7. Defect elektronisch ontstekingsmechanisme 	<ol style="list-style-type: none"> 6. Zorg dat elektronisch ontstekingsmechanisme goed bevestigd is. 7. Elektronisch ontstekingsmechanisme vervangen.
Motor wil niet aanslaan wanneer stekker instopcontact is gestoken, ventilator draait slechts langzaam of helemaal niet.	<ol style="list-style-type: none"> 1. Reset-knop vlamdovingsstelsysteem niet ingedrukt. 2. Rotor van pomp klemt 	<ol style="list-style-type: none"> 1. Op reset-knop van vlamdovingsstelsysteem drukken, zie figuur 5 en 6. 2. Als ventilator slechts met moeite kan worden gedraaid, zie <i>Pomprotor</i>, pagina 4.

WAARSCHUWING: Hoogspanning!

ONDERHOUDSPROCEDURES

WAARSCHUWING: Voer nooit onderhoud uit aan de kachel als de stekker niet uit het stopcontact is verwijderd of als de kachel nog werkt of heet is. Ernstige brandwonden of elektrischschok kunnen het gevolg zijn.

DE BEHUIZING VERWIJDEREN

1. Verwijder schroeven aan beide zijden van kachel met een dopsleutel CH 8. Met deze schroeven worden boven- en onderkant van behuizing aan elkaar bevestigd.
2. Til bovenste deel van de behuizing van kachel af.
3. Verwijder ventilatorrooster.

BRANDSTOFFILTER -(Modellen 10 kW en 20 kW)-

1. Verwijder schroeven van zijpaneel meteen dopsleutel CH 8.
2. Verwijder zijpaneel.
3. Trek rubber brandstofslang van aansluiting op brandstoffilter.
4. Verwijder filter en bus voorzichtig uit brandstoftank.
5. Was filter met schone brandstof en plaats hem weer terug.
6. Breng rubber slang weer aan op aansluiting van filter.
7. Plaats zijpaneel weer terug.

BRANDSTOFFILTER -(Modellen 29 kW en 44 kW)-

1. Verwijder schroeven van zijpaneel meteen dopsleutel CH8.
2. Verwijder zijpaneel.
3. Trek bovenste brandstofslang van aansluiting op brandstoffilter.
4. Verwijder voorzichtig bus, onderstebrandstofslang en filter uit brandstoftank.
5. Was filter met schone brandstof en plaats hem weer terug.
6. Breng bovenste slang weer aan op aansluiting van filter.
7. Plaats zijpaneel weer terug.

(zie figuur 7 en 8, pagina 2)

A. Bovenste deel van behuizing, B. Ventilatorrooster

(zie figuur 9, pagina 2)

A. Brandstoffilter, B. Zijpaneel, C. Brandstofslang.

(zie figuur 10, pagina 2)

A. Brandstoffilter, bus en onderste brandstofslang, B. Bovenste brandstofslang, C. Zijpaneel.

BOUGIE -(model 10 kW)-

1. Verwijder bovenste deel van behuizing (zie figuur 7-8).
2. Verwijder ventilator (zie pagina 5).
3. Maak brandstof- en luchtslang los van sproeier.
4. Maak bougiekabel los van bougie.
5. Draai de twee schroeven los met een dopsleutel CH 8 en verwijder branderbeugel.
6. Plaats zeshoekige gedeelte van bougie in een bankschroef en zet het vast.
7. Draai bevestigingsmoer van bougie los met een steeksleutel CH 17.
8. Verwijder branderbeugel van bougie.
9. Maak bougie schoon en stel elektrodeafstand in (1,4 mm).
10. Plaats branderbeugel weer terug op bougie. Draai branderbeugel zodanig dat elektroden zich in de juiste stand bevinden (zie figuur 13).
11. Zet bougie vast met bevestigingsmoer.
12. Neem bougie uit bankschroef.
13. Plaats branderbeugel weer op verbrandingskamer.
14. Bevestig bougiekabel aan bougie.
15. Breng brandstof- en luchtslang weer op sproeier aan.
16. Plaats ventilator weer terug (zie pagina 5).
17. Breng ventilatorrooster en bovenste deel van behuizing weer aan.

(zie figuur 11, pagina 2)

A. Verbrandingskamer, B. Bevestigingsmoer bougie,

C. Branderbeugel, D. Bougie, E. Bougiekabel, F. Sproeier, G. Brandstofslang, H. Luchtslang

(zie figuur 12, pagina 2)

A. Hier buigen om elektrodeafstand in te stellen

(zie figuur 13, pagina 3)

A. Branderbeugel.

BOUGIE -(modellen 20, 29 en 44 kW)-

1. Verwijder bovenste deel van behuizing (zie figuur 7-8).
2. Verwijder ventilator (zie pagina 5).
3. Maak bougiekabel los van bougie.
4. Draai bougie los uit branderkop met een steeksleutel CH 21.
5. Maak bougie schoon en stel elektrodeafstand: **20, 30 kW Modellen:** 1,9 mm; **44 kW Model:** 2,8 mm
6. Draai bougie weer in branderkop.
7. Bevestig bougiekabel aan bougie.
8. Plaats ventilator weer terug (zie pagina 5).
9. Breng ventilatorrooster en bovenste deel van behuizing weer aan.

(zie figuur 14, pagina 3)

A. Branderkop, B. Bougiekabel, C. Bougie

(zie figuur 15, pagina 3)

A. Hier buigen om elektrodeafstand in te stellen, B. Elektrodeafstand

HET LUCHTUITLAAT-, LUCHTINLAAT- EN LINT-FILTER

1. Verwijder bovenste deel van behuizing (zie figuur 7-8).
2. Verwijder schroeven uit filterdeksel met een dopsleutel CH8.
3. Verwijder filterdeksel.
4. Vervang luchtuitlaat- en lintfilter.
5. Was of vervang luchtinlaatfilter (zie *Preventief onderhoud*, pag. 3).
6. Breng filterdeksel weer aan.
7. Breng ventilatorrooster en bovenstedeel van behuizing weer aan.

BELANGRIJK: Breng geen olie aan op defilters

DE POMPDRUK BIJSTELLEN

1. Verwijder manometerplug uit filterdeksel.
2. Monteer manometer (onderdeelnr. 4109.427).
3. Zet kachel aan (zie *Bediening*, pagina 2). Laat motor op volle snelheid komen.
4. Stel druk bij. Draai overdrukklep naar rechts voor hogere druk en naar links voor lagere druk. Zie gegevens hiernaast voor juiste druk voor diverse modellen.
5. Verwijder manometer. Breng manometerplug weer in filterdeksel aan (Modellen 10 kW en 20 kW afgebeeld).

(zie figuur 16 en 17, pagina 3)

A. Luchtinlaatfilter, B. Filterdeksel, C. Ventilatorrooster, D. Luchtuitlaatfilter, E. Lintfilter.

Model	Pompdruk (Bar/PSI)
10 kW	0,207 / 3
20 kW	0,365 / 5,3
29 kW	0,275 / 4
44 kW	0,337 / 4,9

(zie figuur 18, pagina 3)

A. Manometerplug, B. Overdrukklep, C. Plastic kap

(zie figuur 19, pagina 3)

A. Manometer

SPROEIER -(model 10 kW)-

1. Verwijder bovenste deel van behuizing (zie figuur 7-8).
2. Verwijder ventilator (pagina 5).
3. Maak brandstof- en luchtslang los van sproeier.
4. Draai sproeier kwartslag naar links en trek hem naar motor toe om hem te verwijderen.
5. Zet plastic zeskantig gedeelte losjes in een bankschroef vast.
6. Verwijder sproeier voorzichtig uit sproeieradapter met een dopsleutel CH 16.
7. Blaas perslucht door voorkant van sproeier. Hierdoor komt eventueel vuil uit sproeier los.
8. Controleer sproeierafdichting op beschadiging.
9. Draai sproeier weer in sproeieradapter tot deze op zijn plaats zit. Nog 1/3 slag aandraaien met een dopsleutel CH 16 tot 4,5 à 5,1 N-m.
10. Bevestig sproeier op branderbeugel.
11. Bevestig brandstof- en luchtslang aan sproeier. Zie Vervangen en juiste plaatsing van brandstof- en luchtslang.
12. Plaats ventilator terug (zie figuur 27-28).
13. Plaats ventilatorrooster en bovenste deel van behuizing terug.

(zie figuur 20 en 21, pagina 3)

- A.** Verbrandingskamer, **B.** Branderbeugel, **C.** Sproeier, **D.** Brandstofslang, **E.** Luchtslang

(zie figuur 22, pagina 3)

- A.** Voorkantsproeier, **B.** Sproeierafdichting, **C.** Brandstofslangnippel, **D.** Luchtslangnippel, **E.** Sproeieradapter, **F.** Sproeier

SPROEIER -(model 20, 29 en 44 kW)-

1. Verwijder bovenste deel van behuizing (zie figuur 7-8).
2. Verwijder ventilator (zie pagina 5).
3. Maak brandstof- en luchtslang los van branderkop.
4. Maak bougiekabel los van bougie.
5. Draai bougie uit branderkop met een steeksleutel CH 21.
6. Verwijder drie schroeven met een dopsleutel CH 8 en neem branderkop uit verbrandingskamer.
7. Zet branderkop losjes in bankschroef vast.
8. Draai sproeier voorzichtig uit branderkop met een steeksleutel CH 16 (zie figuur 24).
9. Blaas perslucht door voorkant van sproeier waardoor eventueel vuil loskomt.
10. Controleer sproeierafdichting op beschadigingen.
11. Breng sproeier weer aan in branderkop en draai hem stevig vast (9,1-12,4 N.m).
12. Bevestig branderkop aan verbrandingskamer.
13. Breng bougie in branderkop aan.
14. Bevestig bougiekabel aan bougie.
15. Bevestig lucht- en brandstofslang aan branderkop.
16. Plaats ventilator weer terug (zie pagina 5).
17. Breng ventilatorrooster en bovenste deel van behuizing weer aan.

(zie figuur 23, pagina 3)

- A.** Verbrandingskamer, **B.** Branderkop, **C.** Bougiekabel, **D.** Bougie, **E.** Brandstofslang, **F.** Luchtslang, **G.** Schroef

(zie figuur 24, pagina 3)

- A.** Voorkantsproeier, **B.** Sproeierafdichting, **C.** Brandstofslangnippel, **D.** Luchtslangnippel, **E.** Branderkop, **F.** Sproeier

POMPOTOR

(Procedure voor klemmende pomprotor)

1. Verwijder bovenste deel van behuizing (zie figuur 7-8).
2. Draai schroeven van filterdeksel los met een dopsleutel CH 8.
3. Verwijder filterdeksel en luchtfilters.
4. Draai schroeven van pompplaat los meteen dopsleutel CH 8.
5. Verwijder pompplaat.
6. Verwijder rotor, inzetstuk en schoepen.
7. Controleer of er vuil in pomp is. Even-tueel schoonblazen met perslucht.
8. Breng inzetstuk en rotor weer aan.
9. Controleer speling rond rotor. Steleventueel bij op 0,076-0,101 mm (zie figuur 27).
Let op: Draai rotor één volledige slag om er voor te zorgen dat daar waar rotor dichtst bij behuizing komt, de speling 0,076-0,101 mm is. Zonodig bijstellen.
10. Plaats schoepen, pompplaat, luchtfilters en filterdeksel weer terug.
11. Breng ventilatorrooster en bovenstedeel van behuizing weer aan.
12. Stel pompdruk bij (zie pagina 4).
Let op: Volg onderstaande stappen als rotor nog steeds klemt.
13. Volg stap 1 t/m 6 hierboven.
14. Leg vel fijn schuurpapier (nr. 600) op vlakke ondergrond. Schuur rotor lichtjes vier keer in een 8-baan patroon (zie figuur 28).
15. Breng inzetstuk en rotor weer aan.
16. Voer bovenstaande stappen 10 t/m 12 uit.

(zie figuur 25 en 26, pagina 3)

- A.** Schoep, **B.** Pompplaat, **C.** Luchtinlaatfilter, **D.** Filterdeksel
E. Ventilatorrooster, **F.** Luchtuitlaatfilter, **G.** Rotor, **H.** Inzetstuk

(zie figuur 27, pagina 3)

- A.** Stelschroef speling, **B.** Speling (0,076-0,101 mm) gemeten met een voelmaat, **C.** Schoep

(zie figuur 28, pagina 3)

- A.** Schuurpapier

VENTILATOR

BELANGRIJK: Verwijder ventilator van motoras alvorens motor uit kachel te nemen. Als gewicht van motor op ventilator komt te rusten, kan spoed van ventilator veranderd worden.

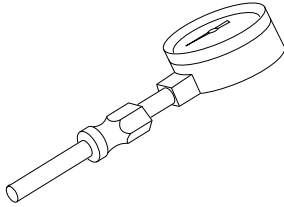
1. Verwijder bovenste deel van behuizing (zie figuur 7-8).
2. Gebruik een inbussleutel CH 2,5 voor losdraaien van stelschroef waarmee ventilator op motoras zit.
3. Schuif ventilator van motoras af.
4. Maak ventilator schoon met een met lichtpetroleum of oplosmiddel vochtig gemaakte, zachte doek.
5. Droog ventilator grondig.
6. Plaats ventilator weer op motoras. Zorg dat uiteinde van motoras gelijk ligt met naaf van ventilator (fig. 28).
7. Plaats stelschroef op platte gedeelte van as en draai hem stevig aan.
8. Breng ventilatorrooster en bovenste deel van behuizing weer aan.

(zie figuur 25 en 26, pagina 3)

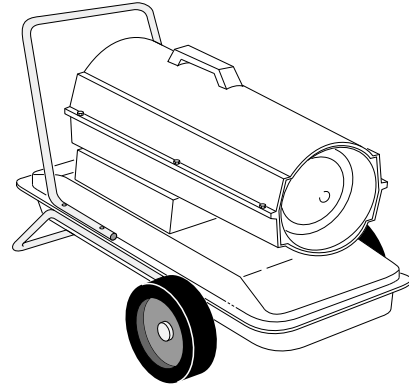
- A.** Ventilator, **B.** Motoras, **C.** Stelschroef, **D.** Gelijk.

ACCESSOIRES

Verkrijgbaar bij de plaatselijke dealer.

**MANOMETERSET - 4109.427**

Voor alle modellen. Speciaal voor het controleren van de pompdruk.

**ZWAAR UITGEVOERD ONDERSTEL EN HENDEL - 4103.925**

Voor zwaar werk. Maakt het heteluchtkanon makkelijker verplaatsbaar. Voor modellen 10 kW en 20 kW.

GARANTIE EN REPARATIESERVICE

WAARBORG ALGEMENE APPARATUUR - BEPERKTE GARANTIE GEDURENDE 1 JAARG

DESA Italia garandeert dat door DESA verkochte nieuwe produkten vrij zijn van gebreken in materiaal en afwerking gedurende 1 jaar na de datum van aanvankelijke levering aan de eerste koper onderhevig aan de volgende voorwaarden:

Verplichtingen en aansprakelijkheid van DESA Italia voortvloeiend uit dit contract blijven uitdrukkelijk beperkt tot het naar goeddunken van DESA Italia repareren of vervangen van onderdelen waarvan DESA Italia na controle meent dat ze wellicht defekt waren in materiaal of afwerking ten tijde van verzending vanaf de fabriek. Deze onderdelen worden kosteloos aan de gebruiker beschikbaar gesteld bij een door de fabriek erkend servicecentrum of op de fabriek gedurende normale openingstijden. De Garantie is niet van toepassing op onderdelen of accessoires van produkten die niet door DESA Italia zijn vervaardigd en waarop de garantie van de fabrikant van toepassing is of op normaal onderhoud (zoals bijv. het bijstellen van de druk) of op vervangingsonderdelen voor normaal onderhoud (zoals filtersen bougies). Onderdelen ter reparatie of vervanging aangebracht in het onder deze garantie vallende Produkt zijn uitsluitend gegarandeerd voor de resterende geldigheidsperiode van deze Garantie, alsof dergelijke onderdelen originele onderdelen waren van voornoemd Produkt. DESA ITALIA BIJDT GEEN ANDERE UITDRUKKELIJKE GARANTIE. VOOR ZOVER TOEGESTAAN IN DE WET BIJDT DESA ITALIA GEEN IMPLICIETE GARANTIE EN GEEN GARANTIE VAN VERKOOPBAARHEID OF GESCHIKTHEID VOOR EEN BEPAALD DOEL. IMPLICIETE GARANTIES MET INBEGRIJ VAN DE GARANTIE VAN VERKOOPBAARHEID EN

GESCHIKTHEID VOOR EEN BEPAALD DOEL BLIJVEN IN IEDER GEVAL BEPERKT TOT DE GELDIGHEIDSPERIODE VAN DEZE UITDRUKKELIJKE GARANTIE.

Alle verzendkosten, installatiekosten, invoerrechten, belastingen of welke andere kosten dan ook worden door de gebruiker betaald. Verplichtingen van DESA Italia voortvloeiend uit deze beperkte Garantie omvatten geen enkele aansprakelijkheid voor directe, indirecte, incidentele schade of gevolgschade of ophoud. Op verzoek van DESA Italia moeten Produkten of onderdelen waarop garantie wordt geclaimd, naar de fabriek worden geretourneerd waarbij verzendkosten vooraf door de gebruiker worden betaald. Verkeerd gebruik van welke aard dan ook met inbegrip van gebruik na het constateren van defekte of versleten onderdelen, gebruik buiten het vermogen, niet door DESA Italia goedgekeurde vervanging van onderdelen of aanpassingen van welke aard dan ook of reparatie door anderen op zodanige wijze dat het Produkt naar mening van DESA Italia aanmerkelijk en ten ongunste is gewijzigd, doen deze Garantie vervallen.

GEEN WERKNEMER OF VERTEGENWOORDIGER IS TOEGESTAAN OP WELKE WIJZE DAN OOK VERANDERINGEN AAN TE BRENGEN IN DEZE GARANTIE OF EEN ANDERE GARANTIE TE VERLENEN TENZIJ EEN DERGELIJKE GARANTIE SCHRIFTELIJK WORDT VERSTREKT EN OP HAAR HOOFDKANTOOR WORDT ONDERTEKEND DOOR EEN FUNCTIONARIS VAN DESA ITALIA.

GARANTIESERVICE

Vermeld in uw schrijven altijd het model- en serienummer.

Wij behouden het recht voor om deze technische gegevens te allen tijde zonder kennisgeving te wijzigen. De enige van toepassing zijnde garantie is de gebruikelijke, schriftelijke garantie van DESA Italia. Wij geven geen andere garantie, expliciet of impliciet.

Gebruikershandleidingen zijn verkrijgbaar door te schrijven naar de Technical Service Department (Afdeling Technische Service) van:

GENERATORE D'ARIA CALDA A RISCALDAMENTO DIRETTO

IMPORTANTE: Leggere e comprendere questo manuale operativo prima di effettuare l'assemblaggio, la messa in funzione o la manutenzione di questo riscaldatore. L'uso errato del riscaldatore può causare lesioni gravi. Conservare questo manuale a titolo di futuro riferimento.

INFORMAZIONI SULLA SICUREZZA

AVVERTENZE

IMPORTANTE: leggere attentamente e completamente il manuale d'istruzioni prima di assemblare e mettere in funzione o la manutenzione di questo generatore. L'uso del generatore può causare lesioni gravi o fatali a seguito di ustioni, incendio, esplosione, scariche elettriche o asfissia da ossido di carbonio.

 **PERICOLO:** L'asfissia da ossido di carbonio può risultare fatale!

Asfissia da ossido di carbonio - I primi sintomi di asfissia da ossido di carbonio assomigliano a quelli dell'influenza, con cefalee, capogiri e/o nausea. Tali sintomi potrebbero essere causati dal funzionamento difettoso del generatore. **Uscire immediatamente all'aperto!** Far riparare il generatore. Alcune persone risentono maggiormente degli effetti dell'ossido di carbonio, specie le donne gravide, coloro che soffrono di malattie cardiache o polmonari, gli anemici, gli ubriachi e quanti si trovano in località ad alta quota. Accertarsi di leggere e comprendere tutte le avvertenze. Conservare questo manuale a titolo di futuro riferimento: funge infatti da guida al funzionamento sicuro e corretto del generatore.

- Usare solamente gasolio (DIESEL) per evitare i rischi di incendio o di esplosione. Non fare mai uso di benzina, nafta, solventi per vernici, alcool o altri combustibili altamente infiammabili.
- **Rifornimento**
 - a) Il personale incaricato del rifornimento deve essere qualificato ed avere totale dimestichezza con le istruzioni del fabbricante e con la normativa vigente in merito al rifornimento sicuro dei generatori.
 - b) Usare solamente il tipo di combustibile espressamente specificato sulla targhetta identificativa del generatore.
 - c) Prima di effettuare il rifornimento, spegnere tutte le fiamme, compresa quella pilota, ed attendere che il generatore si raffreddi.
 - d) Nel corso del rifornimento, ispezionare tutte le linee del combustibile ed i relativi raccordi, alla ricerca di eventuali perdite. Qualsiasi perdita va riparata prima di rimettere in funzione il generatore.
 - e) In nessuna circostanza si deve conservare nello stesso edificio, in vicinanza del riscaldatore, una quantità di combustibile superiore a quella necessaria per mantenere in funzione il riscaldatore per una giornata. Le cisterne di magazzino del carburante devono trovarsi in una struttura separata.
 - f) Tutti i serbatoi del combustibile devono trovarsi ad una distanza minima di 8 m da riscaldatori, cannelli ossidrici, attrezzature per la saldatura e simili fonti di accensione (ad eccezione del serbatoio del combustibile incorporato nel generatore).

g) Ogni qualvolta possibile, il combustibile va conservato in locali il cui pavimento non permetta la penetrazione ed il gocciolio del combustibile stesso su fiamme sottostanti che possano causarne l'accensione.

h) La conservazione del combustibile va effettuata in conformità alla normativa vigente.

- Non usare mai il generatore in locali nei quali siano presenti benzina, solventi per vernici o altri vapori altamente infiammabili.
- Durante l'uso del riscaldatore, attenersi a tutte le ordinanze locali ed alla normativa vigente.
- I riscaldatori usati in prossimità di teloni, tende o altri materiali di copertura simili devono essere situati a distanza di sicurezza da essi. La distanza minima di sicurezza consigliata è pari a 3 m. Si consiglia anche di usare materiali di copertura di tipo ignifugo. Tali materiali vanno fissati in modo sicuro, onde evitare che prendano fuoco e prevenire interferenze causate dal vento con il generatore.
- Usare solamente in aree ben ventilate. Predisporre un'apertura di 2.800 cm² per ogni 30 kW di portata nominale, allo scopo di immettere aria fresca dall'esterno.
- Usare solamente in ambienti privi di vapori infiammabili o di elevate concentrazioni di polvere.
- Alimentare il generatore solamente con corrente avente la tensione e la frequenza specificate sulla targhetta identificativa.
- Usare solamente prolunghe a tre fili opportunamente collegate a massa.
- Distanza minima di sicurezza intercorrente tra in riscaldatore e sostanze combustibili: uscita anteriore - 2,5 m ; di lato, in alto e sul retro - 1,5 m.
- Porre il generatore caldo o in funzione su una superficie stabile e livellata, in modo da evitare i rischi di incendio.
- Quando si sposta o si conserva il generatore, mantenerlo in posizione livellata, per evitare la fuoriuscita del combustibile.
- Tenere lontani i bambini e gli animali dal generatore.
- Scollegare il generatore dalla presa di rete quando non lo si usa.
- Quando è controllato da un termostato, il riscaldatore può accendersi in qualsiasi momento.
- Non usare mai il generatore in stanze frequentemente abitate né in camere da letto.
- Non bloccare mai la presa dell'aria (lato posteriore) né l'uscita dell'aria (lato anteriore) del riscaldatore.
- Quando il riscaldatore è caldo, collegato alla rete o in funzione non deve mai essere spostato, maneggiato, rifornito né soggetto ad alcun intervento di manutenzione.
- Non collegare mai condotti dell'aria ai lati anteriore o posteriore del generatore.

IDENTIFICAZIONE DEI PRODOTTI

(vedi figura 1, e 2)

A. Uscita aria calda, **B.** Maniglia, **C.** Griglia entrata aria, **D.** Coperchio filtri aria, **E.** Tappo serbatoio, **F.** Cavo di alimentazione, **G.** Interruttore, **H.** Pannello laterale, **I.** Serbatoio, **L.** Semiguscio inferiore, **M.** Semiguscio superiore, **N.** Interruttore RESET.

DISIMBALLAGGIO

1. Rimuovere tutti i materiali di imballaggio usati per confezionare il riscaldatore per la spedizione.
2. Estrarre tutti gli articoli dalla scatola.
3. Controllarli alla ricerca di danni subiti durante il trasporto. Se il riscaldatore appare danneggiato, informare tempestivamente il concessionario presso il quale è stato acquistato.

COMBUSTIBILE

AVVERTENZA: Il generatore funziona SOLO gasolio.

L'utilizzo di combustibile impuro può causare :

- l'intasamento del filtro del combustibile e dell'ugello;
- la formazione di depositi carboniosi sulla candela;
- la necessità di usare additivi antigelo non tossici in caso di temperature molto basse.

IMPORTANTE: usare un apposito contenitore, contrassegnato dalla dicitura **ESCLUSIVAMENTE PER CARBURANTI**, ed accertarsi che sia pulito. La presenza di sostanze estranee quali ruggine, sporco o acqua fa scattare la protezione post-estinzioni,causando il conseguente arresto del riscaldatore.

ASSEMBLAGGIO

(per i Modelli 29 e 44 kW)

Questi modelli sono dotati di ruote e di impugnature. Tali componenti,completi della relativa bulloneria di montaggio, sono situati nella scatola di spedizione.

Attrezzatura necessaria

- Cacciavite medio a stella
- Chiave fissa o a cacciavite CH 8.
- Martello.

1. Inserire l'asse attraverso il telaio di sostegno delle ruote. Installare le ruote sull'asse. **IMPORTANTE:** quando si installano le ruote, disporre la parte sporgente dei mozzi verso il telaio di sostegno delle ruote (vedi Fig. 3).
2. Porre i dadi ciechi sulle estremità dell'asse. Battere delicatamente con il martello per fissarli in posizione.
3. Collocare il generatore sul telaio. Accertarsi di collocare l'estremità della presa dell'aria (lato posteriore) del riscaldatore direttamente sopra le ruote. Allineare i fori praticati sulla flangia del serbatoio ai fori del telaio di sostegno.
4. Disporre l'impugnatura anteriore e quella posteriore in cima alla flangia del serbatoio del combustibile. Inserire le viti attraverso le impugnature, la flangia ed il telaio di sostegno delle ruote. Avvitare il tutto con le apposti viti.

(vedi figura 3)

A. Uscita aria calda, **B.** Vite, **C.** Impugnatura ant., **D.** Impugnatura post., **E.** Ingresso dell'aria, **F.** Parte sporgente del mozzo, **G.** Asse, **H.** Ruota, **I.** Dado, **L.** Dado cieco, **M.** Telaio di sostegno, **N.** Serbatoio.

VENTILAZIONE

AVVERTENZA: Prima di accendere il generatore assicurarsi che ci sia ricambio d'aria onde evitare la formazione di ossido di carbonio.

Predisporre un'apertura di 3.000 cm² per ogni 30 kW di potenza nominale, allo scopo di immettere aria fresca dall'esterno. Aumentare il volume di aria fresca disponibile quando si usa più di un riscaldatore contemporaneamente.

Esempio: un riscaldatore da 44 kW richiede un'apertura di almeno:

- Apertura di 9 cm di una saracinesca per box a due posti macchina (lunghezza di 5 m).
- Apertura di 16 cm di una saracinesca per box a un posto macchina (lunghezza di 2,8 m).
- Apertura di 28 cm di due finestre da 76 cm di lunghezza.

PRINCIPI DI FUNZIONAMENTO

Alimentazione del combustibile - L'aria forzata dal compressore viene spinta verso l'ugello della testa di combustione, la quale aspira il combustibile dal serbatoio e lo spruzza nella camera di combustione in forma nebulizzata.

Circuito dell'aria - Il motore fa ruotare una ventola che a sua volta fa circolare l'aria all'interno ed attorno alla camera di combustione. L'aria esce calda.

Sistema di accensione - Il trasformatore elettronico da tensione alla candela la quale crea una scintilla che innesca la miscela tra aria e combustibile all'interno della camera di combustione.

Sistema di protezione post-estinzioni - Questo sistema arresta il riscaldatore in caso di estinzioni della fiamma.

(vedi figura 4)

A. Uscita aria calda, **B.** Camera di combustione, **C.** Accenditore **D.** Testina di combustione, **E.** Ventola, **F.** Motore, **G.** Compressore, **H.** Filtro di ingresso aria, **I.** Ingresso aria fredda, **L.** Filtro di uscita aria, **M.** Trasformatore H.T., **N.** Tubo aria, **O.** Filtro combustibile, **P.** Ugello, **Q.** Serbatoio, **R.** Aria per la combustione, **S.** Aria per la combustione e riscaldamento, **T.** Combustibile.

FUNZIONAMENTO

AVVERTENZA: Leggere attentamente le Informazioni sulla sicurezza, di pag. 2 prima di accendere il generatore.

ACCENSIONE DEL RISCALDATORE

1. Seguire tutte le istruzioni relative alla sicurezza ed alla ventilazione.
2. Riempire il serbatoio con combustibile.
3. Chiudere il tappo del serbatoio.
4. Inserire la spina del cavo di alimentazione in una presa a muro collegata a massa, da 230 V/50 Hz.

Requisiti minimi della prolunga:

Fino a 30 m, usare conduttori da 1,0 mm² con filo per massa. Da 30 a 60 m, usare conduttori da 1,5 mm² con filo per massa. Portare l'interruttore ON/OFF in posizione ON (I); il generatore dovrebbe accendersi entro cinque secondi. Se la spia dell'interruttore ON/OFF non si accende o il generatore non si avvia, vedere *Individuazione dei guasti* (pagg. 3).

SPEGNIMENTO DEL GENERATORE

Portare l'interruttore ON/OFF in posizione OFF.

RIACCENSIONE DEL RISCALDATORE

1. Aspettare almeno 2 minuti prima di riaccendere il generatore.
2. Ripetere i passi della procedura di *Accensione del riscaldatore*.

(vedi figura 5 e 6)

A. Interruttore RESET, **B.** Interruttore ON/OFF con di spia luminosa.

CONSERVAZIONE, TRASPORTO O SPEDIZIONE

Nota: svuotare il serbatoio prima della spedizione.

1. Svuotare il serbatoio del combustibile.

Nota: alcuni modelli sono dotati di un tappo di scarico posto

- sul lato inferiore del serbatoio. In tal caso, rimuovere il tappo di scarico e svuotare il combustibile.
2. Chiudere il tappo di scarico, se in dotazione.
 3. Se si nota la presenza di detriti nel vecchio combustibile, versare un paio di litri di combustibile nel serbatoio, agitare e scaricare di nuovo il combustibile.
 4. Chiudere il tappo del serbatoio o il tappo di scarico. Smaltire in modo appropriato il combustibile vecchio e sporco, consegnandolo ad una stazione di servizio che ricicla olio.

5. Ai fini dell'immagazzinaggio, conservare il riscaldatore in un luogo asciutto.

IMPORTANTE: non conservare il cherosene d'estate per utilizzarlo poi durante la stagione fredda successiva. L'uso di combustibile vecchio può danneggiare il riscaldatore.

PROGRAMMA DI MANUTENZIONE PREVENTIVA

AVVERTENZA: Non effettuare mai la manutenzione di un generatore collegato alla rete, in funzione o caldo. Ciò potrebbe causare gravi ustioni e scariche elettriche.

Articolo	Frequenza	Procedura
Serbatoio del combustibile	Svuotare e lavare il serbatoio con combustibile pulito ogni 150-200 ore.	Vedere sopra <i>Conservazione, trasporto o spedizione</i> a pag. 4.
Filtri di uscita dell'aria ed antipolvere	Sostituire ogni 500 ore di esercizio o una volta l'anno	Vedere <i>Filtri di ingresso e di uscita dell'aria e filtro antipolvere</i> a pag. 4.
Filtro di ingresso dell'aria	Lavare con acqua e sapone ed asciugare ogni 500 ore di esercizio o a seconda delle necessità	Vedere <i>Filtri di ingresso e di uscita dell'aria e filtro antipolvere</i> a pag. 4
Filtro del combustibile	Pulire due volte per stagione di esercizio o a seconda delle necessità	Vedere <i>Filtro del combustibile</i> a pag. 4
Accenditore	Pulire o sostituire ogni 600 ore o quando necessario.	Vedi <i>Accenditore</i> .
Pale della ventola	Pulire ogni stagione o a seconda delle necessità.	Vedere <i>Ventola</i> a pag. 5
Motore	Non è necessario alcun intervento. Il motore è permanentemente lubrificato	

INDIVIDUAZIONE DEI GUASTI

AVVERTENZA: Non effettuare mai la manutenzione di un generatore collegato alla rete, in funzione o caldo. Ciò potrebbe causare gravi ustioni e scariche elettriche.

GUASTO	POSSIBILE CAUSA	SOLUZIONE
Il generatore parte ma l'interruttore RESET blocca la macchina dopo un breve periodo.	<ol style="list-style-type: none"> 1. Pressione pompa errata 2. sporczia nel filtro 3. filtro del combustibile sporco 4. sporczia nell'ugello 5. obiettivo sporco della fotocellula 6. dispositivo di controllo fiamma difettoso 	<ol style="list-style-type: none"> 1. vedi REGOLAZIONE DELLA PRESSIONE DEL COMPRESSORE 2. vedi FILTRI DI INGRESSO E DI USCITA DELL'ARIA E FILTRO ANTIPOLVERE 3. vedi FILTRO DEL COMBUSTIBILE 4. vedi UGELLO 5. pulire l'obiettivo della fotocellula 6. sostituire il dispositivo di controllo di fiamma
Il generatore non parte ma il motore funziona per un breve periodo.	<ol style="list-style-type: none"> 1. pressione errata della pompa 2. residui di carbonio sulla candela 3. filtro combustibile sporco 4. sporczia nell'ugello 5. acqua nel serbatoio di combustibile 	<ol style="list-style-type: none"> 1. vedi REGOLAZIONE DELLA PRESSIONE DEL COMPRESSORE 2. vedi CANDELA DI ACCENSIONE 3. vedi FILTRO DEL COMBUSTIBILE 4. vedi UGELLO 5. svuotare e riempire il serbatoio con kerosene pulito. Vedi CONSERVAZIONE, TRASPORTO O SPEDIZIONE
AVVERTENZA: alta tensione!		
	<ol style="list-style-type: none"> 6. il trasformatore scarica la tensione a terra 7. trasformatore difettoso 	<ol style="list-style-type: none"> 6. assicurarsi che il trasformatore sia isolato 7. sostituire il trasformatore
Il motore non parte, ventola gira lentamente o bloccata.	<ol style="list-style-type: none"> 1. il controllo di fiamma non si è ripristinato. 2. rotore bloccato 	<ol style="list-style-type: none"> 1. ripristinare il controllo di fiamma 2. se il ventilatore è duro da girare, vedi ROTORE DEL COMPRESSORE

PROCEDURE DI MANUTENZIONE

AVVERTENZA: Non effettuare mai la manutenzione di un generatore collegato alla rete, in funzione o caldo.

RIMOZIONE DEL SEMIGUSCIO SUPERIORE

1. Rimuovere le viti di sicurezza da entrambi i lati del generatore usando una chiave a tubo da CH 8.
2. Sollevare il semiguscio superiore.
3. Rimuovere la griglia della ventola.

FILTRO DEL COMBUSTIBILE

(Modelli 10 kW e 20 kW)

1. Rimuovere le viti del coperchio laterale, usando una chiave a tubo CH 8.
2. Rimuovere il coperchio laterale.
3. Separare il tubo in gomma del combustibile dal collo del filtro
4. Estrarre delicatamente la boccola ed il filtro dal serbatoio.
5. Lavare il filtro con combustibile pulito ed inserirlo nuovamente nel serbatoio.
6. Innestare il tubo in gomma del combustibile sul collo del filtro.
7. Rimontare il coperchio laterale.

FILTRO DEL COMBUSTIBILE Modelli 29 kW e 44 kW

1. Rimuovere le viti del coperchio laterale, usando una chiave a tubo CH 8.
2. Rimuovere il coperchio laterale.
3. Separare il tubo in gomma del combustibile dal collo del filtro
4. Estrarre delicatamente la boccola, il tubo inferiore del combustibile ed il filtro dal serbatoio del combustibile.
5. Lavare il filtro con combustibile pulito ed inserirlo nuovamente nel serbatoio.
6. Innestare il tubo superiore del combustibile sul collo del filtro.
7. Rimontare il coperchio laterale.

(vedi figura 7, 8)

A. Semiguscio superiore, **B.** Griglia della ventola

(vedi figura 9)

A. Filtro del combustibile, **B.** Pannello laterale, **C.** tubo combustibile

(vedi figura 10)

A. Filtro del combustibile, boccola e tubo, **B.** Tubo superiore, **C.** Pannello laterale.

ACCENSIONE -10 kW-

1. Rimuovere il semiguscio superiore e la griglia di prot.(fig.7-8).
2. Rimuovere la ventola (vedi fig. 27-28).
3. Scollegare dalla testina di combustione i tubi del combustibile e dell'aria.
4. Rimuovere dalla candela il cavo alta tensione (vedi fig.11).
5. Svitare le 2 viti che bloccano la staffa per ugello (vedi fig. 11).
6. Svitare l'adattatore per ugello dalla staffa per ugello (vedi fig. 12).
7. Rimuovere il dado di bloccaggio della candela dalla staffa per ugello.
8. Rimuovere la candela dalla staffa per ugello.
9. Pulire e controllare gli elettrodi della candela distanza 1,4mm.
10. Rimontare la candela sulla staffa per ugello. Ruotare la staffa fino a posizionare l'elettrodo correttamente.
11. Rimontare il dado di bloccaggio della candela sulla staffa per ugello.
12. Rimontare l'adattatore per ugello sulla staffa per ugello.
13. Rimontare la staffa per ugello sulla camera di combustione.
14. Collegare il cavo alta tensione sulla candela.
15. Ricollegare i tubi del combustibile e dell'aria alla testina di combustione.
16. Rimontare la ventola.
17. Rimontare la copertura superiore.

(vedi figura 11)

A. Camera di combustione, **B.** Dado per fissaggio candela, **C.** Staffa per ugello, **D.** Candela, **E.** Cavo di alimentazione candela, **F.** Adattatore ugello, **G.** Tubo combustibile, **H.** Tubo aria

(vedi figura 12)

A. Distanza degli elettrodi

(vedi figura 13)

A. Staffa per ugello

ACCENSIONE -20, 29 e 44 kW-

1. Rimuovere il semiguscio superiore e la griglia di prot.(fig.7-8).
2. Rimuovere la ventola (vedi fig. 27-28).
3. Rimuovere dalla candela il cavo alta tensione.
4. Rimuovere la candela dalla testina di combustione usando la chiave CH 21.
5. Pulire e controllare gli elettrodi della candela:
20-29 kW = 1,9 mm ; **44 kW** = 2,8 mm.
6. Rimontare la candela sulla testina di combustione
7. Collegare il cavo alta tensione sulla candela,
8. Rimontare la ventola
9. Rimontare la copertura superiore

(vedi figura 14)

A. Testina di combustione, **B.** cavo di alimentazione candela, **C.** Candela

(vedi figura 15)

A. Elettrodi, **B.** Distanza

FILTRI DI INGRESSO E DI USCITA DELL'ARIA E FILTRO ANTIPOLVERE

1. Rimuovere il semiguscio superiore (vedi fig. 7-8).
 2. Rimuovere le viti del coperchio dei filtri, usando una chiave a tubo CH 8.
 3. Rimuovere il coperchio dei filtri.
 4. Cambiare il filtro di uscita dell'aria e quello antipolvere.
 5. Lavare o sostituire il filtro di ingresso dell'aria (vedere il *Programma di manutenzione preventiva* a pag. 3).
 6. Rimontare il coperchio dei filtri.
 7. Rimontare la griglia della ventola ed il semiguscio superiore.
- IMPORTANTE: non ungerne i filtri.**

REGOLAZIONE DELLA PRESSIONE DEL COMPRESSORE

1. Rimuovere il tappo per manometro e il tappo di plastica (solo per modelli 10 e 20 kW) dal coperchio dei filtri dell'aria.
2. Montare il manometro accessorio (code 4109.427).
3. Accendere il riscaldatore (vedi *Funzionamento* a pag. 4). Attendere che il motore sia caldo.
4. Regolare la pressione. Ruotare la valvola di sicurezza in senso orario per aumentare la pressione oppure in senso antiorario per ridurla. A lato ci sono le pressioni corrette.
5. Rimuovere il manometro, tappo per manometro e tappo di plastica (solo per modelli 10 e 20 kW) sul coperchio dei filtri.

(vedi figura 16, 17)

A. Filtro ingresso aria, **B.** Coperchio filtri, **C.** Griglia di protezione **D.** Filtro di uscita aria, **E.** Filtro antipolvere.

Modelli	Pressioni (Bar/PSI)
10 kW	0,207 / 3
20 kW	0,365 / 5,3
29 kW	0,275 / 4
44 kW	0,337 / 4,9

(vedi figura 18)

A. Tappo per manometro, **B.** Valvola di sicurezza, **C.** Tappo di plastica

(vedi figura 19)

A. Manometro

UGELLO -10 kW-

1. Rimuovere il semiguscio superiore (vedi fig.7-8).
2. Rimuovere la ventola (vedi fig. 27 a pag. 4).
3. Scollegare i tubi in gomma del combustibile e dell'aria dall'ugello (vedi le Fig. 17, 18 o 19).
4. Rimuovere l'ugello girandolo di un quarto di giro a sinistra e tirandolo verso il motore (vedi la fig. 20).
5. Serrare leggermente in una morsa la parte esagonale di plastica.
6. Scollegare con cautela l'ugello dal raccordo usando una chiave a tubo CH 16 (vedi la fig. 21).
7. Pulire l'ugello dalla polvere e dalla sporcizia usando aria compressa.
8. Controllare se la guarnizione dell'ugello è danneggiata.
9. Riposizionare fino in fondo l'ugello nell'adattatore. Serrarlo di un altro terzo di giro con la chiave a tubo CH 16, a una coppia compresa tra 4,5 e 5,1 nm (Vedi fig. 21)
10. Fissare l'ugello alla staffa del bruciatore.
11. Collegare i tubi in gomma del combustibile e dell'aria all'ugello. Vedere *Sostituzione e posa dei tubi del combustibile e dell'aria* a pag. 9.
12. Riposizionare la ventola (vedi fig. 27-28).
13. Riposizionare la protezione della ventola e il semiguscio superiore (vedi fig. 7-8).

(vedi figura 20, 21)

A. Camera di combustione, **B.** Staffa per ugello, **C.** Adattatore per ugello, **D.** Tubo combustibile, **E.** Tubo aria

(vedi figura 22)

A. Orifizio di uscita dell'ugello, **B.** Guarnizione, **C.** Raccordo per il tubo combustibile, **D.** Raccordo per il tubo dell'aria, **E.** Adattatore per l'ugello, **F.** Ugello

UGELLO -20, 29 e 44 kW-

1. Rimuovere copertura superiore (vedi fig.7-8).
2. Rimuovere ventole (vedi fig. 27 a pag. 4).
3. Scollegare dalla testina di combustione i tubi del combustibile e dell'aria (vedi le Fig. 17, 18 o 19).
4. Rimuovere dalla candela il cavo alta tensione (vedi la fig. 20).
5. Rimuovere la candela dalla testina di combustione usando la chiave CH 21
6. Svitare le 3 viti che bloccano la testina di combustione dalla camera di combustione
7. Posizionare la testina di combustione nella morsa e stringere
8. Rimuovere facendo attenzione l'ugello dalla testina di combust.
9. Soffiare con aria compressa nella zona dell'ugello.
10. Verificare le guarnizioni dell'ugello e sostituire se necessario
11. Rimontare l'ugello sulla testa di combustione (9,1-12,4 N-m)
12. Fissare la testina di combustione alla camera di combustione
13. Avvitare la candela di accensione sulla testina di combustione
14. Collegare il cavo alta tensione sulla candela
15. Ricollegare i tubi del combustibile e dell'aria alla testina di combustione
16. Rimontare la ventola
17. Rimontare la copertura superiore

(vedi figura 23)

A. Camera di combustione, **B.** Testina di combustione, **C.** Cavo di alimentazione candela, **D.** Candela, **E.** Tubo combustibile, **F.** Tubo aria

(vedi figura 24)

A. Orifizio di uscita dell'ugello, **B.** Guarnizione, **C.** Raccordo per il tubo combustibile, **D.** Raccordo per il tubo dell'aria, **E.** Testina di combustione, **F.** Ugello

ROTORE DEL COMPRESSORE

1. Rimuovere il semiguscio superiore (vedi fig. 7-8).
2. Rimuovere le viti del coperchio dei filtri, usando una chiave a tubo CH 8.
3. Rimuovere il coperchio dei filtri ed i filtri dell'aria.
4. Rimuovere le viti della piastrina del compressore, usando una chiave a tubo CH 8.
5. Rimuovere la piastrina del compressore.
6. Rimuovere il rotore, il distanziatore e le palette.
7. Verificare l'assenza di detriti nel compressore. Se si notano detriti, rimuoverli con un getto di aria compressa.
8. Montare il distanziatore ed il rotore.
9. Controllare la distanza del rotore. Se necessario, regolarla portandola a 0,076/0,101 mm (vedi fig. 25).
Nota: ruotare il rotore di un giro completo e verificare che la distanza sia pari a 0,076/0,101 mm in corrispondenza al punto più ravvicinato. Regolare a seconda delle necessità.
10. Installare le palette, la piastrina del compressore, i filtri dell'aria ed il coperchio dei filtri.
11. Rimontare la griglia della ventola ed il semiguscio superiore.
12. Regolare la pressione del compressore (vedi pag. 8).
Nota: se il rotore continua a grippare, procedere nel modo sottoindicato.
13. Eseguire nuovamente i passi dall'1 al 6 di cui sopra.
14. Stendere un foglio di carta vetrata (di grana 600) su una superficie piana. Carteggiare leggermente per quattro volte il rotore con un movimento ad "8" (vedi fig. 4).
15. Reinstallare il distanziatore ed il rotore.
16. Eseguire i passi dal 10 al 12.

(vedi figura 25, 26)

A. Paletta, **B.** Piastrina del compressore, **C.** Filtro di ingresso dell'aria, **D.** Coperchio dei filtri, **E.** Griglia della ventola, **F.** Filtro di uscita dell'aria, **G.** Rotore, **H.** Distanziatore.

(vedi figura 27)

A. Vite di regolazione, **B.** Distanza di 0,076/0,101mm, misurata con uno spessore, **C.** Paletta

(vedi figura 28)

A. Carta vetrata

VENTOLA

IMPORTANTE: rimuovere la ventola dall'albero del motore prima di rimuovere il motore dal riscaldatore. Il peso del motore appoggiato sulla ventola potrebbe alterare l'inclinazione delle pale.

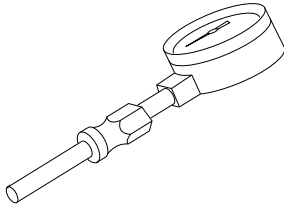
1. Rimuovere il semiguscio superiore (vedi fig. 7-8).
2. Usare una chiave esagonale incassato CH 2,5 per allentare la vite di fermo.
3. Separare la ventola dal motore, facendola scorrere lungo l'albero.
4. Pulire la ventola usando un panno morbido inumidito.
5. Asciugare bene la ventola.
6. Rimontare la ventola sull'albero del motore. Collocare il fondo del mozzo della ventola a filo con l'albero del motore (fig. 28).
7. Avvitare la vite di fermo contro la superficie spianata dell'albero. Serrare saldamente la vite di fermo (applicando una coppia di serraggio di 4,5-5,7 nm).
8. Rimontare la griglia della ventola ed il semiguscio superiore.

(vedi figura 29, 30)

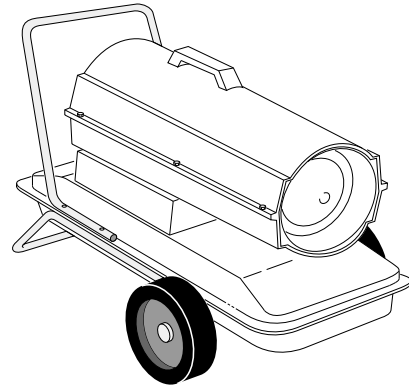
A. Ventola, **B.** Albero motore, **C.** Vite di fermo, **D.** A filo

ACCESSORI

Disponibili presso il concessionario locale.

**MANOMETRO – 4109.427**

Per tutti i modelli. Un attrezzo speciale per controllare la pressione del compressore.

**KIT RUOTE E IMPUGNATURE PER
IMPIEGHI PESANTI – 4103.925**

Per applicazioni gravose. Rende il generatore ancora più portatile e conveniente. Per i modelli 10 e 20 kW.

CERTIFICATO DI GARANZIA**CERTIFICATO DI GARANZIA LIMITATA DI 1 ANNO**

La DESA Italia garantisce che i nuovi prodotti da essa venduti sono privi di difetti di materiali e di lavorazione per un periodo di un anno a decorrere dalla data di consegna all'acquirente originale, nel quadro delle condizioni indicate sotto.

La responsabilità e gli obblighi della DESA Italia ai sensi di questa garanzia si limitano espressamente alla riparazione o alla sostituzione, a discrezione della DESA Italia stessa, dei componenti che, una volta ispezionati, risultassero difettosi in termini di materiali o lavorazione all'atto della spedizione dallo stabilimento. Tali componenti verranno forniti gratuitamente all'acquirente, presso la sede commerciale di qualsiasi centro di servizio autorizzato dalla società o presso il suo stabilimento, durante il normale orario di lavoro. Questa garanzia non copre componenti o accessori di prodotti non fabbricati dalla DESA Italia e coperti da garanzia del fabbricante originale, né interventi di normale manutenzione (quali le regolazioni della pressione), né a componenti soggetti a normale manutenzione (quali i filtri e le candele). I componenti riparati o sostituiti, installati sul prodotto coperto da questa garanzia, sono garantiti solamente per la durata rimanente della garanzia stessa, come se fossero componenti originali del prodotto in questione. LA DESA ITALIA NON OFFRE ALTRE GARANZIE ESPRESSE. NELLA MISURA PERMESSA DALLA LEGGE, LA DESA ITALIA NON OFFRE ALCUNA GARANZIA IMPLICITA NÉ DI COMMERCIALIZZABILITÀ O DI IDONEITÀ A QUALSIASI SCOPO PARTICOLARE. IN QUALSIASI CIRCOSTANZA, LE GARANZIE IMPLICITE, COMPRESSE

QUELLE DI COMMERCIALIZZABILITÀ O DI IDONEITÀ AD UNO SCOPO PARTICOLARE SONO LIMITATE ALLA DURATA DI QUESTA GARANZIA ESPLICITA.

Gli eventuali costi di spedizione e di installazione, oneri, tasse ed imputazioni di qualsiasi tipo sono a carico dell'acquirente. Gli obblighi della DESA Italia ai sensi di questa garanzia limitata non comprendono alcuna responsabilità di danni diretti, indiretti, accessori o emergenti né per eventuali ritardi. Su richiesta della DESA Italia, i prodotti o i componenti soggetti a reclamo ai sensi di questa garanzia dovranno essere spediti in fabbrica dietro pagamento anticipato dei costi di spedizione da parte dell'acquirente. La garanzia viene annullata da qualsiasi uso errato, compresa la messa in esercizio dopo la scoperta di componenti difettosi o usurati, da funzionamento eccedente le capacità del prodotto, dalla sostituzione con pezzi con ricambi non approvati dalla DESA Italia, oppure dall'esecuzione di qualsiasi alterazione o riparazione tali da influenzare, a giudizio insindacabile della DESA Italia, materialmente e negativamente il prodotto.

NESSUN DIPENDENTE O RAPPRESENTANTE È AUTORIZZATO MODIFICARE QUESTA GARANZIA IN ALCUN MODO, NÉ AD OFFRIRE ALCUNA GARANZIA DI ALTRO TIPO, A MENO CHE TALE CAMBIAMENTO NON SIA DICHIARATO PER ISCRITTO E FIRMATO DA UN FUNZIONARIO DELLA SEDE CENTRALE DELLA DESA INTERNATIONAL.

INTERVENTI DI SERVIZIO IN GARANZIA

Ogni volta che si comunica con la società, specificare i numeri di modello e di serie.

La società si riserva il diritto di modificare questi dati tecnici senza preavviso. L'unica garanzia valevole è la garanzia scritta standard della società. Non si offrono altre garanzie, né esplicitate né implicite.

Il Manuale di servizio è disponibile su richiesta scritta:

CALENTADORES PORTATILES DE AIRE FORZADO

MANUAL DEL PROPIETARIO

IMPORTANTE: Lea y comprenda este manual antes de armar, encender o dar servicio al calentador. El uso indebido del calentador puede causar lesiones graves. Guarde este manual para referencia futura.

INFORMACION DE SEGURIDAD

ADVERTENCIAS

IMPORTANTE: Lea este manual del propietario detenida y completamente antes de intentar armar, usar o dar servicio al calentador. El uso indebido de este calentador puede causar lesiones graves o la muerte a causa de las quemaduras, incendios, explosiones, choques eléctricos y envenenamiento por monóxido de carbono.

 **PELIGRO: El envenenamiento por monóxido de carbono puede causar la muerte!**

Envenenamiento por monóxido de carbono: Los primeros síntomas del envenenamiento por monóxido de carbono son parecidos a los de la gripe e incluyen dolores de cabeza, mareos o náuseas. Si se experimentan estos síntomas, el calentador podría estar funcionando mal. **¡Busque aire fresco de inmediato!** Solicite la reparación del calentador. Algunos individuos se ven más afectados por el monóxido de carbono que otros. Estos incluyen las mujeres embarazadas, individuos con padecimientos del corazón o los pulmones o con anemia, individuos bajo los efectos del alcohol e individuos a grandes alturas. Asegúrese de leer y comprender todas las advertencias. Guarde este manual para referencia. Es su guía para el uso seguro y adecuado de este calentador.

- Para evitar el riesgo de incendio o explosión, use sólo fueloil No. 1. Nunca use gasolina, nafta, diluyentes de pintura, alcohol u otros combustibles muy inflamables.
- Abastecimiento de combustible
 - a) El personal involucrado en el abastecimiento del combustible deberá ser calificado y estar plenamente familiarizado con las instrucciones del fabricante y los reglamentos aplicables en cuanto al abastecimiento seguro de combustible de las unidades de calefacción.
 - b) Sólo se debe utilizar el tipo de combustible especificado en la chapa de datos del calentador.
 - c) Se deberá extinguir toda llama, incluyendo la luz piloto en su caso, y permitir que el calentador se enfríe antes de abastecerlo de combustible.
 - d) Durante el abastecimiento de combustible, todas las líneas y conexiones de combustible deberán inspeccionarse en busca de fugas. Todas las fugas deberán repararse antes de volver a poner en servicio el calentador.
 - e) En ningún momento se deberá almacenar una cantidad de combustible mayor que la necesaria para un día de funcionamiento en el interior de un edificio en las cercanías del calentador. El depósito de abasto de combustible deberá estar ubicado fuera de la estructura.
 - f) Todo el combustible almacenado deberá ubicarse a un mínimo de 8 m de los calentadores, sopletes, equipo de soldadura y otras fuentes similares de inflamación (excepción: el tanque de combustible incorporado en el calentador).
 - g) Siempre que sea posible, el almacenamiento de combustible deberá confinarse a zonas donde las aberturas en el suelo no permitan que el combustible gotee sobre una llama o sea inflamado por una llama ubicada a una altura más baja.
 - h) El almacenamiento del combustible deberá efectuarse

según las disposiciones de las autoridades competentes.

- Nunca use el calentador en presencia de vapores de gasolina, de diluyente de pintura u otros vapores muy inflamables.
- Respete todos los reglamentos y códigos locales al usar el calentador.
- Los calentadores utilizados en las cercanías de alquitranado, lonas o materiales de envoltura similares deberán ubicarse a una distancia segura de tales materiales. La distancia mínima recomendada es 3 m. Además, se recomienda que tales materiales tengan propiedades retardantes a las llamas. Estos materiales de envoltura deberán fijarse de modo seguro para impedir su combustión o que volteen el calentador debido a la acción del viento.
- Utilícelo solamente en lugares con buena ventilación. Deje una abertura de por lo menos 2800 cm² para la entrada de aire fresco exterior por cada 29 kW (100.000 Btu/hr) de capacidad.
- Utilícelo solamente en lugares exentos de vapores inflamable so contenido elevado de polvo.
- Use solamente el voltaje eléctrico y la frecuencia especificados en la chapa del número de modelo.
- Use solamente un cordón de extensión de tres clavijas con puesta a tierra.
- Los espacios mínimos entre el calentador y materiales combustibles son: Salida: 250 cm; Lados, partes superior y trasera: 125 cm
- Coloque el calentador en una superficie estable y nivelada mientras el calentador está caliente o funcionando, de lo contrario podría ocurrir un incendio.
- Para trasladar o guardar el calentador, manténgalo en posición nivelada, de lo contrario podría derramarse el combustible.
- Deje el calentador fuera del alcance de los niños y animales.
- Desenchufe el calentador cuando no esté en uso.
- Cuando se usa con termostato, el calentador puede arrancar en cualquier momento.
- Nunca use el calentador en habitaciones o dormitorios.
- Nunca bloquee la entrada de aire (trasera) ni la salida de aire (delantera) del calentador.
- Nunca mueva, manipule, reabastezca de combustible ni dé servicio a un calentador caliente, en funcionamiento o enchufado.
- Nunca conecte ductos a la parte delantera o trasera del calentador. El uso de ductos podría reducir el flujo de aire que el calentador necesita. El calentador entonces produciría.

IDENTIFICACION DEL PRODUCTO

(vea la figura 1, y 2, pág. 2)

A. Salida de aire caliente, **B.** Asa, **C.** Protector del ventilador, **D.** Cubierta del extremo del filtro de aire, **E.** Tapa de combustible, **F.** Cordón eléctrico, **G.** Interruptor de encendido/apagado con luz, **H.** Cubierta lateral, **I.** Tanque de combustible, **L.** Casco inferior, **M.** Casco superior, **N.** Interruptor RESET.

DESEMBALAJE

1. Quite todo el material de embalar aplicado al calentador para el transporte.
2. Saque todos los componentes de la caja.
3. Inspeccione los componentes en busca de daños ocurridos durante el transporte. Si el calentador ha sufrido daños, informe oportunamente al concesionario donde se compró el calentador.

COMBUSTIBLES

ADVERTENCIA: Para evitar el riesgo de incendio o explosión, use sólo fuel oil No. 1.

No use combustibles pesados como el fueloil No.2 ó diesel No.2. El uso de estos combustibles causará:

- taponamiento del filtro de combustible y de la boquilla
- depósitos de carbón en la bujía.
- necesidad de usar aditivo anticongelador no tóxico en el combustible durante el tiempo muy frío.

IMPORTANTE: Utilice un envase para almacenar DIESEL SOLAMENTE. Asegúrese que el envase esté bien limpio. Las materias extrañas tales como óxido, tierra o agua harán que el control de extinción de llamas apague el calentador.

ARMADO

(Sólo para modelos de 29 kW y 44 kW)

Estos modelos se proveen con ruedas y asas. Las ruedas, asas y la tornillería de montaje se encuentran en la caja de embalaje.

Herramientas necesarias

- Destornillador Phillips mediano
- Llave ajustable o de boca de CH 8.
- Martillo.

1. Deslice el eje a través del bastidor de soporte de las ruedas. Instale las ruedas en el eje. **IMPORTANTE:** Al instalar las ruedas, oriente el cubo extendido de las ruedas hacia el bastidor de soporte de las ruedas (vea la Figura 3).
2. Coloque las tuercas ciegas en los extremos del eje. Martíllelas suavemente para fijarlas.
3. Coloque el calentador sobre el bastidor de soporte de las ruedas. Asegúrese que el extremo de entrada de aire (posterior) del calentador esté sobre las ruedas. Alinee los agujeros de la pestaña del tanque de combustible con los agujeros del bastidor de soporte de las ruedas.
4. Coloque el asa delantera y el asa trasera encima de la pestaña del tanque de combustible. Inserte los tornillos a través de las asas, de la pestaña del tanque de combustible y del bastidor de soporte de las ruedas. Ponga una tuerca apretada a mano en cada tornillo después de insertarlo.

(vea la figura 3, pág. 2)

A. Uscita aria calda, B. Vite, C. Impugnatura ant., D. Impugnatura post., E. Ingresso dell'aria, F. Parte sporgente del mozzo, G. Asse, H. Ruota, I. Dado, L. Dado cieco, M. Telaio di sostegno, N. Serbatoio.

VENTILACION

ADVERTENCIA: Observe los requisitos mínimos de ventilación de aire fresco exterior. Si no se provee la ventilación debida con aire fresco exterior, podría ocurrir el envenenamiento por monóxido de carbono.

Deje una abertura de por lo menos 2800 cm² por cada 30 kW de capacidad para la entrada de aire. Proporcione aire fresco adicional si se usan más calentadores.

Ejemplo: Un calentador de 44 kW requiere una de las siguientes aberturas:

- puerta de garaje para dos carros de 5 m de ancho levantada por lo menos 9 cm.
- puerta de garaje para un carro de 2,75 m de ancho levantada por lo menos 16 cm.
- dos ventanas de 76 cm de ancho levantadas 28 cm.

TEORIA DE FUNCIONAMIENTO

Sistema de combustible: La bomba de aire fuerza el paso del aire por la línea de aire. De allí, el aire es empujado a través de la boquilla del quemador. Este aire hace que el combustible del tanque suba. Un vapor fino de combustible es rociado en la

cámara de combustión.

Sistema de aire: El motor hace girar el ventilador. El ventilador empuja el aire al interior y alrededor de la cámara de combustión. Este aire se calienta y proporciona un chorro de aire caliente y limpio.

Sistema de encendido: El transformador electrónico da tensión a la bujía la cual crea una chispa que produce la mezcla entre aire y combustible en el interior de la cámara de combustión.

Sistema de control de extinción de llamas: Este sistema apaga el calentador en caso de extinguirse la llama.

(vea la figura 4, pág. 2)

A. Salida de aire caliente y limpio, B. Cámara de combustión, C. Ignitor, D. Cabecilla de combustión, E. Ventilador, F. Motor, G. Bomba de aire, H. Filtro de admisión de aire, I. Entrada de aire frío, L. Filtro de aire de salida, M. Ignitor electrónico, N. Línea de aire al quemador, O. Filtro, P. Boquilla, Q. Tanque de comb., R. Aire para el sistema de comb., S. Aire para combustión y calefacción, T. Combustible.

FUNCIONAMIENTO

ADVERTENCIA: Estudie y comprenda las advertencias dadas en la sección *Información de seguridad*, página 2.

PARA ENCENDER EL CALENTADOR

1. Observe toda la información sobre ventilación y seguridad.
2. Llene el tanque de combustible con fueloil No. 1.
3. Ponga la tapa de combustible.
4. Enchufe el cordón eléctrico del calentador en un tomacorriente estándar de 230 V/50 Hz con puesta a tierra.

Requisitos del calibre del alambre del cordón de extensión

Hasta 30 m de largo, use conductores de 1,0 mm² (16 AWG); de 30 a 61 m, use conductores de 1,5 mm² (14 AWG) Ponga el interruptor de ON/OFF en la posición de ON (I); el calentador deberá encenderse en un plazo de 5 segundos. Si la luz de interruptor de ON/OFF no se enciende o el calentador no funciona, vea la sección *Localización de averías* (pág. 3).

PARA APAGAR EL CALENTADOR

Ponga el interruptor de ON/OFF en la posición de (OFF).

PARA VOLVER A ENCENDER EL CALENTADOR

1. Esperar por lo menos 2 min. antes de volver a encender el generador.
 2. Repetir los puntos de abajo para volver a encender el generador.
- A. Interruptor RESET (reposición), A. Interruptor de encendido (on)/apagado (OFF) con luz.

ALMACENAMIENTO, TRANSPORTE O EMBARQUE

Nota: Si se está despachando la unidad para embarque, las compañías transportistas exigen que los tanques de combustible estén vacíos.

1. Vaciar el tanque de combustible.
- Nota:* Algunos modelos tienen el tapón de vaciado en el lado inferior del tanque de combustible. De ser así, sacar el tapón para vaciar todo el combustible.
2. Volver a colocar el tapón de vaciado, si lo tiene.
 3. Si se observa la presencia de basura en el combustible viejo, añadir 1 ó 2 litros de keroseno al tanque, agitarlo y volver a vaciarlo.
 4. Volver a colocar la tapa del tanque de combustible o el

tapón de vaciado. Desechar el combustible viejo de manera adecuada. Consultar a una estación de servicio local que efectúe el reciclaje de derivados del petróleo.

IMPORTANTE: No almacenar el keroseno durante el verano para usarlo en la siguiente temporada fría. El usar keroseno viejo podría dañar el calentador.

5. Si se está almacenando la unidad, almacenarla en un lugar seco.

PROGRAMA DE MANTENIMIENTO PREVENTIVO

ADVERTENCIA: Nunca repare el calentador mientras está enchufado, en funcionamiento o caliente. Podrían ocurrir graves quemaduras y electrochoque.

Item	Intervalo	Procedimiento
Tanque de combustible	Enjuáguelo cada 150-200 horas de funcionamiento o según sea necesario.	Vea <i>Almacenamiento, Transporte o Embarque</i> , más, página 4.
Filtros de salida de aire y de pelusa	Cámbielos cada 500 horas de funcionamiento o anualmente.	Vea <i>Filtros de salida de aire, de admisión de aire y de pelusa</i> , página 4.
Filtro de admisión de aire	Lávalo con agua y jabón y séquelo cada 500 horas de funcionamiento o según sea necesario.	Vea <i>Filtros de salida de aire, de admisión de aire y de pelusa</i> , página 4.
Filtro de combustible	Límpielo dos veces por temporada de frío o según sea necesario.	Vea <i>Filtro de combustible</i> , página 4.
Ignitor	Limpiar o sustituir cada 600 horas o cuando sea necesario.	Vea <i>Bujía de encendido</i> , página 4
Paletas del ventilador	Límpielas cada temporada o según sea necesario	Vea <i>Ventilador</i> , página 5.
Motor	No requerido/lubricado permanentemente	

LOCALIZACION DE AVERIAS

ADVERTENCIA: Nunca repare el calentador mientras está enchufado, en funcionamiento o caliente. Podrían ocurrir graves quemaduras y electrochoque.

AVERIA OBSERVADA	CAUSA POSIBLE	SOLUCION
El generador parte pero el interruptor RESET (reposición) bloquea la máquina después de un breve período.	<ol style="list-style-type: none"> 1. Presión bomba errada 2. Suciedad en el filtro 3. Filtro del combustible sucio 4. Suciedad en la tobera 5. Objetivo sucio de la fotocélula 6. Dispositivo de control llama defectuoso 	<ol style="list-style-type: none"> 1. Ver REGULACION DE LA PRESION DEL COMPRESOR 2. Ver FILTROS DE ENTRADA Y DE SALIDA DEL AIRE Y FILTRO ANTIPOLVO 3. Ver FILTRO DEL COMBUSTIBLE 4. Ver TOBERA 5. Limpiar el objetivo de la fotocélula 6. sustituir el dispositivo de control de llama
El generador no parte pero el motor funciona por un breve período.	<ol style="list-style-type: none"> 1. Presión errada de la bomba 2. Residuos de carbono sobre la bujía 3. Filtro combustible sucio 4. Suciedad en la tobera 5. Agua en el tanque de combustible 	<ol style="list-style-type: none"> 1. Ver REGULACION DE LA PRESION DEL COMPRESOR 2. Ver BUJIA DE ENCENDIDO 3. Ver FILTRO DEL COMBUSTIBLE 4. Ver TOBERA 5. Vaciar y llenar el tanque con kerosene limpio. Ver CONSERVACION, TRANSPORTE O ENVIO
ADVERTENCIA: ¡Alto voltaje!		
	<ol style="list-style-type: none"> 6. El transformador descarga la tensión a tierra 7. Transformador defectuoso 	<ol style="list-style-type: none"> 6. Asegurarse de que el transformador esté aislado 7. Sustituir el transformador
El motor no parte, ventilador gira lentamente o está bloqueado.	<ol style="list-style-type: none"> 1. El control de llama no se ha restablecido. 2. Rotor bloqueado 	<ol style="list-style-type: none"> 1. Restablecer el control de llama 2. Si el ventilador está duro para girar, ver ROTOR DEL COMPRESOR

PROCEDIMIENTOS DE SERVICIO

ADVERTENCIA: Nunca repare el calentador mientras está enchufado, en funcionamiento o caliente. Podrían ocurrir graves quemaduras y electrochoque.

REMOCIÓN DEL CASCO SUPERIOR

1. Quite los tornillos a lo largo de cada lado del calentador con una llave de tuercas de CH 8. Estos tornillos sujetan juntos los cascos superior e inferior.
2. Levante y quite el casco superior.
3. Quite el protector del ventilador.

FILTRO DE COMBUSTIBLE -(Modelos de 10/20 kW)-

1. Quite los tornillos de la cubierta lateral con una llave de tuercas de CH 8.
2. Quite la cubierta lateral.
3. Quite la línea de combustible de caucho del cuello del filtro.
4. Palanquee cuidadosamente el buje y el filtro de combustible para sacarlos del tanque de combustible.
5. Lave el filtro de combustible con combustible limpio y vuelva a colocarlo en el tanque.
6. Sujete la línea de combustible de caucho al cuello del filtro de combustible.
7. Vuelva a colocar la cubierta lateral.

FILTRO DE COMBUSTIBLE -(Modelos de 29/44 kW)-

1. Quite los tornillos de la cubierta lateral con una llave de tuercas de CH 8.
2. Quite la cubierta lateral.
3. Quite la línea de combustible superior del cuello del filtro.
4. Palanquee cuidadosamente el buje, la línea de combustible inferior y el filtro de combustible para sacarlos del tanque de combustible.
5. Lave el filtro de combustible con combustible limpio y vuelva a colocarlo en el tanque.
6. Sujete la línea de combustible superior al cuello del filtro.
7. Vuelva a colocar la cubierta lateral.

(vea la figura 7 y 8, pág. 2)

A. Casco superior, **B.** Protector del ventilador

(vea la figura 9, pág. 2)

A. Filtro de combustible, **B.** Cubierta lateral, **C.** Línea de combustible

(vea la figura 10, pág. 2)

A. Filtro de combustible, **B.** Cubierta lateral, **C.** Línea de combustible

BUJIA DE ENCENDIDO -(10 kW)-

1. Quite la cobertura superior
2. Quite el ventilador
3. Desconectar de la cabecilla de combustión los tubos del combustible y del aire
4. Quite de la bujía el cable alta tensión
5. Destornillar los 2 tornillos que bloquean el estribo para tobera
6. Destornillar el adaptador para tobera del estribo para tobera
7. Quite la tuerca que bloquea la bujía del estribo para tobera
8. Quite la bujía del estribo para tobera
9. Limpiar y controlar los electrodos de la bujía distancia 1,4 mm
10. Volver a montar la bujía sobre el estribo para tobera. Girar el estribo hasta que el electrodo se posicione correctamente.
11. Volver a montar la tuerca de bloqueo de la bujía sobre el estribo para tobera
12. Volver a montar el adaptador para tobera sobre el estribo para tobera
13. Volver a montar el estribo para tobera sobre la cámara de combustión
14. Conectar el cable alta tensión sobre la bujía
15. Volver a conectar los tubos del combustible y del aire a la cabecilla de combustión
16. Volver a montar el ventilador
17. Volver a montar la cobertura superior

(vea la figura 11, pág. 2)

A. Cámara de combustión, **B.** tuerca para fijar la bujía, **C.** estribo para tobera, **D.** bujía de encendido, **E.** cable de alimentación bujía, **F.** adaptador tobera, **G.** tubo combustible, **H.** tubo aire

(vea la figura 12, pág. 2)

A. distancia de los electrodos

(vea la figura 13, pág. 2)

A. estribo para tobera

BUJIA DE ENCENDIDO -(20/29/44 kW)-

1. Quite la cobertura superior
2. Quite el ventilador
3. Quite de la bujía el cable alta tensión
4. Quite la bujía de la cabec. de combustión usando la llave CH 21
5. Limpiar y controlar los electrodos de la bujía: 20-29 kW 1,9 mm ; 44 kW 2,8 mm.
6. Volver a montar la bujía sobre la cabecilla de combustión
7. Conectar el cable alta tensión sobre la bujía
8. Volver a montar el ventilador
9. Volver a montar la cobertura superior

(vea la figura 14, pág. 3)

A. cabecilla de combustión, **B.** cable de alimentación bujía
C. bujía de encendido

(vea la figura 15, pág. 3)

A. electrodos, **B.** distancia de los electrodos

FILTROS DE SALIDA DE AIRE, DE ADMISIÓN DE AIRE Y DE PELUSA

1. Quite el casco superior (vea la fig. 7-8).
2. Quite los tornillos de la cubierta del extremo del filtro con un llave de tuercas de CH 8.
3. Quite la cubierta del extremo del filtro.
4. Reemplace los filtros de salida de aire y de pelusa.
5. Lave o reemplace el filtro de admisión de aire (vea Programade mantenimiento preventivo, página 3).
6. Vuelva a colocar la cubierta del extremo del filtro.
7. Vuelva a colocar el protector del ventilador y el casco superior.

IMPORTANTE: No aceite los filtros.

AJUSTE DE LA PRESIÓN DE LA BOMBA

1. Quite el tapón para manómetro y la tapa de plástico (10 kW y 20 kW solamente) de la cubierta del extremo del filtro.
2. Instale el manómetro accesorio (No. de pieza 4109.427).
3. Encienda el calentador (vea *Funcionamiento*, página 3). Permita que el motor alcance su velocidad plena.
4. Ajuste la presión. Gire la válvula de alivio hacia la derecha para aumentar la presión. Gire la válvula de alivio hacia la izquierda para reducir la presión. Vea las especificaciones a la derecha para obtener la presión correcta para cada modelo.
5. Quite el manómetro. Vuelva a colocar el tapón para manómetro y la tapa de plástico (10 kW y 20 kW solamente) en la cubierta del extremo del filtro.

(vea la figura 16 y 17, pág. 3)

A. Filtro ingreso aria, **B.** Coperchio filtri, **C.** Griglia di protezione
D. Filtro di uscita aria, **E.** Filtro antipolvere.

Modelo	Presión de la bomba Pressioni (Bar/PSI)
10 kW	0,207 / 3
20 kW	0,365 / 5,3
29 kW	0,275 / 4
44 kW	0,337 / 4,9

(vea la figura 18, pág. 3)

A. Tapón para manómetro B. Válvula de alivio C. Tapa de plástico

(vea la figura 19, pág. 3)

A. Manómetro

CONJUNTO DE BOQUILLA -(10 kW)-

1. Quite el casco superior (vea la fig 7-8).
2. Quite el ventilador (vea la fig. 27 página 4).
3. Quite las mangueras de las líneas de aire y de combustible del conjunto de la boquilla (vea la Figura 17, 18 ó 19).
4. Gire el conjunto de la boquilla 1/4 de vuelta a la izquierda y tire de él hacia el motor para quitarlo (vea la Figura 20).
5. Coloque el cuerpo hexagonal de plástico en una prensa y apriételo ligeramente.
6. Quite cuidadosamente la boquilla del adaptador usando una llave de casquillo de CH 16 (vea la Figura 21).
7. Sople aire comprimido por la cara de la boquilla. Esto despedirá la tierra de la zona de la boquilla.
8. Inspeccione el sello de la boquilla en busca de daños.
9. Vuelva a colocar la boquilla en el adaptador hasta que quede asentada. Apriétela 1/3 de vuelta adicional con una llave de casquillo de CH 16 (4,5 a 5,1 Nm). Vea la Figura 21.
10. Sujete el conjunto de la boquilla a la banda fijadora del quemador.
11. Sujete las mangueras de las líneas de aire y de combustible al conjunto de la boquilla. Vea *Sustitución de líneas de combustible y aire y colocación correcta*, pág. 4.
12. Vuelva a colocar el ventilador (vea la fig. 27-28).
13. Vuelva a colocar el protector del ventilador y el casco superior (vea la fig. 7-8).

(vea la figura 20 y 21, pág. 3)

A. Cámara de combustión, B. Estribo para tobera, C. Adaptador tobera, D. Tubo combustible, E. Tubo aire

(vea la figura 22, pág. 3)

A. Cara de la boquilla, B. Sello de la boquilla, C. Adaptador de la línea de combustible, D. Adaptador de la línea de aire, E. Adaptador de la boquilla, F. Boquilla

CONJUNTO DE BOQUILLA -(20/29/44 kw models)-

1. Quitar la cobertura superior
2. Quitar el ventilador
3. desconectar de la cabecilla de combustión los tubos del combustible y del aire
4. Quitar de la bujía el cable alta tensión
5. Quitar la bujía de la cabecilla de combustión usando la llave CH 21
6. Destornillar los 3 tornillos que bloquean la cabecilla de combustión de la cámara de combustión
7. Colocar la cabecilla de combustión en la mordaza y apretar
8. Quitar con cuidado la tobera de la cabecilla de combustión
9. Soplar con aire comprimido en la zona de la tobera.
10. Verificar las guarniciones de la tobera y sustituir si es necesario
11. Volver a montar la tobera sobre la cabecilla de combustión (9,1-12,4 N-m)
12. Fijar la cabecilla de combustión a la cámara de combustión
13. Enrosacar la bujía de encendido sobre la cabecilla de combustión
14. Conectar el cable alta tensión sobre la bujía
15. Volver a conectar los tubos del combustible y del aire a la cabecilla de combustión
16. Volver a montar el ventilador
17. Volver a montar la cobertura superior

(vea la figura 23, pág. 3)

A. Cámara de combustión, B. Cabecilla de combustión, C. Cable de alimentación bujía, D. Bujía de encendido, E. Tubo combustible, F. Tubo aire, G. Tornillo

(vea la figura 24, pág. 3)

A. Cara de la boquilla, B. Sello de la boquilla, C. Empalme para el tubo del combustible, D. Empalme para el tubo del aire E. Cabecilla de combustión, F. Tobera

ROTOR DE LA BOMBA

1. Quite el casco superior (vea la página 4).
2. Quite los tornillos de la cubierta del extremo del filtro con una llave de tuercas de CH 8.
3. Quite la cubierta del extremo del filtro y los filtros de aire.
4. Quite los tornillos de la placa de la bomba con una llave de tuercas de CH 8.
5. Quite la placa de la bomba
6. Quite el rotor, el inserto y las paletas.
7. Revise si hay suciedad en la bomba. Si hay suciedad, quítela con aire comprimido.
8. Instale el inserto y el rotor.
9. Verifique el espacio del rotor. Ajústelo a 0,076/0,101 mm si es necesario (vea la Figura 25). *Nota:* Gire el rotor una vuelta completa para asegurarse que el espacio sea de 0,076/0,101 mm en la posición más apretada. Ajústelo si es necesario.
10. Instale las paletas, la placa de la bomba, los filtros de aire y la cubierta del extremo del filtro.
11. Vuelva a colocar el protector del ventilador y el casco superior.
12. Ajuste la presión de la bomba (vea la página 11. *Nota:* Si el rotor aún se atasca, continúe de la siguiente manera.
13. Efectúe los pasos 1 al 6 arriba indicados.
14. Coloque un papel de lija fina (grano 600) en una superficie plana. Lije el rotor ligeramente siguiendo un movimiento en forma de "ocho" cuatro veces (vea la Fig. 26).
15. Vuelva a instalar el inserto y el rotor.
16. Efectúe los pasos 10 al 12 arriba indicados.

(vea la figura 25 y 26, pág. 4)

A. Paleta, B. Placa de la bomba, C. Filtro de admisión de aire D. Cubierta del extremo del filtro, E. Protector del ventilador F. Filtro de salida de aire, G. Rotore, H. Inserto.

(vea la figura 27, pág. 4)

A. Tornillo de ajuste de espacio, B. Espacio de 0,076/0,101mm medido con un calibrador, C. Paleta

(vea la figura 28, pág. 4)

A. Papel de lija

VENTILADOR

IMPORTANTE: Quite el ventilador del eje del motor antes de quitar el motor del calentador. Si el peso del motor se apoya sobre el ventilador, se podría dañar el paso de las paletas del ventilador.

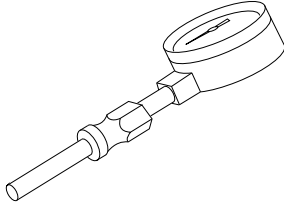
1. Quite el casco superior (vea la fig. 7-8).
2. Utilice una llave hexagonal de CH 2,5 para aflojar el tornillo de fijación que sujeta el ventilador al eje del motor.
3. Quite el ventilador del eje del motor.
4. Limpie el ventilador con un trapo suave humedecido en keroseno o solvente.
5. Seque el ventilador por completo.
6. Vuelva a colocar el ventilador en el eje del motor. Coloque el cubo del ventilador a ras con el extremo del eje del motor (vea la Fig. 28).
7. Coloque el tornillo de fijación en la parte plana del eje. Apriete el tornillo de fijación firmemente (4,5-5,6 Nm).
8. Vuelva a colocar el protector del ventilador y el casco superior.

(vea la figura 29 y 30, pág. 4)

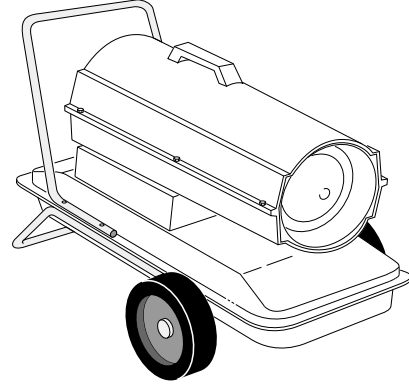
A. Ventilador, B. Eje del motor, C. Tornillo de fijación, D. A ras.

ACCESORIOS

Obtenga los accesorios a través del concesionario en su localidad.

**MANOMETRO DE AIRE – 4109.427**

Para todos los modelos. Herramienta especial para comprobar la presión de la bomba.

**JUEGO DE RUEDAS Y ASA DE SERVICIO SEVERO 4103.925**

Para aplicaciones de servicio severo. Hace el calentador más portátil y conveniente. Para los modelos de 10/20 kW.

GARANTIA Y REPARACIONES

CERTIFICADO DE GARANTIA LIMITADA DE UN AÑO PARA EQUIPO GENERAL

DESA Italia garantiza que los productos nuevos que vende carecen de defectos en el material y fabricación por un período de un año a partir de la fecha de entrega al primer usuario y sujeto a las condiciones siguientes:

Las obligaciones y responsabilidades de DESA Italia bajo esta garantía se limitan expresamente a la reparación o el reemplazo a discreción de DESA Italia de los componentes que a juicio de DESA Italia y posterior a la inspección tenían defectos de material o fabricación al ser despachados de la fábrica. Tales componentes serán suministrados sin costo al usuario, al establecimiento comercial o a un centro de servicio autorizado por la fábrica o fábrica durante horas regulares de trabajo. La garantía no cubre los componentes o accesorios de productos no fabricados por DESA Italia, los cuales se encuentran amparados por garantías de sus fabricantes respectivos, ni cubre el mantenimiento normal (tal como los ajustes de presión) ni los repuestos normales (tales como filtros y bujías). Las piezas de repuesto o reparación instaladas en el producto amparado bajo esta garantía se garantizan únicamente por la porción restante del período de la presente garantía, como si tales fueran componentes originales de dicho producto. DESA ITALIA NO OFRECE NINGUNA GARANTIA EXPRESA ADICIONAL. HASTA EL PUNTO QUE ESTABLECE LA LEY, DESA ITALIA NO OFRECE GARANTIA IMPLICITA ALGUNA Y NO GARANTIZA LA IDONEIDAD NI LA COMERCIABILIDAD DE ESTE PRODUCTO PARA ALGUN PROPOSITO ESPECIFICO. EN TODO CASO, LAS GARANTIAS IMPLICITAS,

INCLUYENDO LAS DE COMERCIABILIDAD E IDONEIDAD PARA UN PROPOSITO ESPECIFICO, SE LIMITAN A LA DURACION DE LA PRESENTE GARANTIA EXPRESA.

Los costos de transporte, costos de instalación, honorarios, impuestos u otros recargos correrán por cuenta del usuario. La obligación de DESA Italia bajo esta garantía limitada no incluye responsabilidad por daños o retrasos directos, indirectos, fortuitos o consecuentes. Si DESA Italia así lo solicita, los productos sobre los cuales se efectúe algún reclamo deberán ser devueltos, a flete pagado por el usuario, a la fábrica. El uso indebido de este producto, incluyendo su uso después del descubrimiento de piezas defectuosas o desgastadas, el uso más allá de la capacidad, la sustitución de piezas por componentes no aprobados por DESA Italia o cualquier otra alteración o reparación por terceros que a juicio de DESA Italia afecte este producto de forma material y adversa, anulará la presente garantía.

NINGUN EMPLEADO O REPRESENTANTE CUENTA CON LA AUTORIDAD PARA ALTERAR ESTA GARANTIA EN MODO ALGUNO NI PARA OTORGAR GARANTIAS ADICIONALES A MENOS QUE TAL ALTERACION SE HAGA POR ESCRITO Y SEA FIRMADA POR UN OFICIAL EN LA CASA MATRIZ DE DESA ITALIA.

SERVICIO DE GARANTIA

Siempre especifique los números de modelo y de serie al comunicarse con la fábrica.

Nos reservamos el derecho de enmendar estas ESPECIFICACIONES en cualquier momento y sin previo aviso. La única garantía aplicable al producto es nuestra garantía estándar dada por escrito. No se ofrece ninguna garantía adicional, ni expresa ni implícita.

Se puede obtener un Manual de servicio solicitándolo por correspondencia al Departamento de servicios técnicos a la dirección siguiente:

PORTABEL VÄRMEFLÄKT MED FORCERAT LUFTFLÖDE

ANVÄNDARMANUAL

VIKTIGT: Läs denna manual noggrant före montering, användning eller underhåll av värmefläkten. Felaktig användning av produkten kan orsaka allvarliga skador. Förvara manualen på ett säkert ställe för framtida bruk.

SÄKERHETSFORESKRIFTER

VARNINGAR

VIKTIGT: Läs noggrant igenom användarmanualen innan du monterar, använder eller underhåller värmefläkten. En felaktig användning av produkten kan ge allvarliga eller dödliga brännskador, explosionsskador, elektriska stötar och kolmonoxidförgiftning.

FARA: Kolmonoxidförgiftning kan leda till döden!

Kolmonoxidförgiftning: Tidiga tecken på kolmonoxidförgiftning påminner om symptomen vid influensa med huvudvärk, yrsel och/eller illamående.

Om du har dessa symptom kan detta vara ett tecken på att värmefläkten inte fungerar som den ska. **Se till att omgäende få frisk luft!**

Lämna in fläkten på service. Vissa personer är känsligare för kolmonoxidförgiftning än andra. Till den gruppen hör gravida kvinnor, personer med hjärt- eller lungsjukdomar, personer som lider av blodbrist, alkoholpåverkade personer, samt personer som befinner sig på höga höjder.

Läs och iaktta noga alla varningar. Spar denna manual för framtida bruk. Manualen är din guide för en säker och korrekt användning av värmefläkten.

- I första hand rekommenderas fotogen som bränsle, men även dieselbränsle (vinterkvalitet) kan användas. Använd aldrig bensin, thinner, sprit eller andra lättantändliga substanser eftersom dessa kan orsaka brand och explosion.
- Bränslepåfyllning
 - a) Den som ska fylla på bränsle bör vara kompetent samt väl förtrogen med dessa instruktioner samt med tillämpbara föreskrifter för en säker bränslepåfyllning av värmefläktar.
 - b) Använd endast det bränsle som angivs på värmefläktens modellplåt.
 - c) Alla flammor, inklusive en eventuell flamma från kontrollampen, ska släckas före bränslepåfyllning och värmefläkten ska även svalna innan bränsle påfylls.
 - d) Kontrollera att bränsleledningar och kopplingar inte läcker under bränslepåfyllningen. Eventuella läckor måste repareras innan värmefläkten lämnas in för service.
 - e) Förvara aldrig mer än en dagsförbrukning bränsle inomhus i närheten av värmefläkten. Bränsleförråd bör alltid placeras utomhus.
 - f) Bränsleförråd bör placeras minst 8 meter från element, brännare, svetsapparater och liknande tändsystem (med undantag av värmefläktens integrerade bränslebehållare).
 - g) Om möjligt bör bränsleförråd förläggas till utrymmen där bränslet inte tillåts läcka genom golvet eller kan antändas av eldsflammar från ett lägre våningsplan.
 - h) Förvaring av bränsle bör ske i samråd med rådande myndighet.

- Placera aldrig värmefläkten i närheten av bensin, thinner eller andra lättantändliga ämnen.
- Följ alla lokala föreskrifter och påbud vid användning av värmefläkten.
- Vid användning av värmefläkten i närheten av presenningar, segeldukar eller liknande täckmaterial bör denna placeras på ett säkert avstånd ifrån dessa. Rekommenderat säkerhetsavstånd är minst 30 meter. Dessutom rekommenderas att täckmaterialet är brandsäkert och att detta är noggrant fastspänt för att förhindra antändning samt uppkomst av vindpustar som kan störa värmefläktens funktion.
- Använd endast värmefläkten i välventilerade utrymmen. Per varje 30 kw (100 000 Btu/Hr) bör friskluftsintaget vara minst 2800 cm² stort.
- Utrymmet där värmefläkten ska användas ska vara fritt från brandfarliga ämnen samt material som drar till sig mycket damm.
- Anslut produkten uteslutande till eluttag med den spänning och strömstyrka som angivs på modellplåten.
- Använd endast trestiftade och jordade förlängningssladdar.
- Placera värmefläkten på säkert avstånd från lättantändliga ämnen: Luftutsläpp: 1,5 m; Sidor, ovansida och baksida: 1,5 m.
- Då värmefläkten är i drift eller varm, bör denna vara placerad på en stabil och jämn yta för att förhindra brand.
- Se till att värmefläkten har en upprätt position vid flytt eller förvaring för att undvika bränslespill.
- Håll barn och djur på säkert avstånd från värmefläkten.
- Drag ur kontakten då värmefläkten inte används.
- Om en termostat ansluts kan värmefläkten starta vid vald tidpunkt.
- Använd aldrig värmefläkten i bostadsutrymmen eller sovutrymmen.
- Blockera aldrig det bakre eller främre luftflödet.
- Flytta, hantera, tanka eller reparera aldrig en värmefläkt som är varm, i drift eller elansluten.
- Montera aldrig några rör på värmefläktens fram- eller baksida.

PRODUKTBESKRIVNING

(se figur 1 och 2, sid. 2)

A. Varmluftsutsläpp, **B.** Handtag, **C.** Fläktgaller, **D.** Luft! lter Bakstycke, **E.** Tanklock, **F.** Elsladd, **G.** ON/OFF-kontakt (på/av), **H.** Sidoskydd, **I.** Bränsletank, **L.** Undre hölje, **M.** Övre hölje, **N.** Nollställningsknapp för flamskyddskontrollen.

UPPACKNING

1. Avlägsna skyddsmaterialet som använts vid transporten.
2. Packa upp alla artiklar ur kartongerna. Kontrollera eventuella transportskador. Om värmefläkten är skadad, informera omgående återförsäljaren.

BRÄNSLE

VARNING: I första hand rekommenderas fotogen som bränsle, men även dieselbränsle (vinterkvalitet) kan användas. Använd aldrig bensin, thinner, sprit eller andra lättantändliga vätskor som bränsle.

Använd inte tyngre bränslen såsom eldningsolja klass 2 eller diesel klass 2. Dessa bränslen:

- sätter igen bränslefiltret samt munstycket
- leder till användning av kylarvätska i mycket kallt väder.

VIKTIGT: Se till att bränsledunken ENDAST ANVÄNDS FÖR FOTOGEN. Var noga med att dunken är ren. Främmande ämnen såsom rost, smuts eller vatten gör att flamsäkerhetssystemet stänger av värmeflärkten. Främmande ämnen gör även att bränslesystemet måste rengöras oftare.

FORCERAT LUFTFLÖDE

(ENDAST MODELL 29 OCH 44 kW)

Dessa modeller är utrustade med hjul och handtag. Hjul, handtag och monteringsutrustning levereras tillsammans med värmeflärkten.

Nödvändiga verktyg

- Skjut in hjulaxeln i hjulramen. Häng upp hjulet på hjulaxeln.

- **VIKTIGT:** Vid hjulmontering ska det utskjutande hjulnavet

- peka mot hjulramen. (Se figur 3).

1. Sätt fast kupolmuttrar på var sida av hjulaxeln. Säkra genom att slå försiktigt med en hammare.
2. Placera värmeflärkten på hjulramen. Se till att den bakre luftströmmen är placerad ovanför hjulen. Passa ihop skruvhålen på bränsletankens fläns med skruvhålen på hjulramen.
3. Placera främre och bakre handtag över bränsletankens fläns. Sätt i skruvar i handtagen, bränsletankens fläns samt i hjulramen. Vrid fast med vingmutter då varje skruv är isatt.
4. Då alla skruvar är isatta, dra åt varje mutter hårt.

(se figur 3, sid. 2)

A. Varmluftsutsläpp, **B.** Skruv, **C.** Främre handtag, **D.** Handtag (om inkluderat), **E.** Luftintag, **F.** Utskjutande hjulnav, **G.** Hjulaxel, **H.** Hjul, **I.** Mutter, **L.** Kupolmutter, **M.** Hjul Hjulram, **N.** Bränsletank fläns.

VENTILATION

VARNING: Efterfölj föreskrifterna gällande frisk luft. Om det inte föreligger någon friskluftsventilation kan detta orsaka kolmonoxidförgiftning. Försäkra dig om att friskluftsventilationen fungerar innan värmeflärkten startas.

Per varje 30 kw (100 000 Btu/Hr) bör friskluftsintaget vara minst 2800 cm² stort.

Om flera värmeflärktar används samtidigt, öka friskluftsintaget. Exempel: En 44kw (150 000 Btu/Hr) värmeflärkt kräver ett av följande friskluftsintag:

- en tvåbils garagedörr (4.9 meter bred) öppnad 9 cm.
- en enbils garagedörr (2.75 meter bred) öppnad 15.25 cm.
- två, 76 cm breda fönster, öppnade 28 cm.

DRIFTBESKRIVNING

Bränslesystemet: Luftpumpen för in luft genom luftkanalen. Luften passerar därefter genom brännarmunstycket. Luften gör att bränslet stiger uppåt i tanken. Ett tunnt skikt bränsle sprutas in i brännkammaren.

Luftsystemet: Motorn driver flärkten. Flärkten blåser in och runt luft i brännkammaren. Luften hettats upp och ger en klar, het

luftström.

Tändningssystemet: den elektroniska tändningen skickar strömmen till tändstiftet. Tändstiftet tänder bränsle- och luftblandningen.

Flamsäkerhetssystemet: Systemet gör att värmeflärkten stängs av om flammen slocknar.

(se figur 4, sid. 2)

A. Hetluftsutsläpp, **B.** Brännkammare, **C.** Tändsystem, **D.** Brännarhuvud, **E.** Fläkt, **F.** Motor, **G.** Luftpump, **H.** Filter luftutsläpp, **I.** Luftintag, **L.** Filter luftutsläpp, **M.** Tändförställare, **N.** Luft till bränslesystemet, **O.** Bränslefilter, **P.** Munstycke, **Q.** Bränsletank, **R.** Luft till bränslesystemet, **S.** Luft till brännkammare och upphettning, **T.** Bränsle

DRIFT

VARNING: Läs noggrant varningarna i säkerhetsföreskrifterna, sid 2. Dessa är grundläggande för en säker användning av värmeflärkten. Följ dessutom alla lokala påbud vid användning av värmeflärkten.

ATT STARTA VÄRMEFLÄKTEN

1. Iakttag all information gällande ventilation och säkerhet.
2. Fyll tanken med fotogen eller eldningsolja klass 1.
3. Sätt på tanklocket.
4. Sätt in elkontakten i ett jordat standarduttag 230 volt/50 hertz. Använd förlängningsladd om nödvändigt. Sladden ska vara jordad och trestiftad.

MÅTTKRAV FÖRLÄNGNINGSSLADD

För sladdlängd upp till 30,5 meter, använd en 1,0 mm 2-ledare (16 AWG)
30,6 till 61 meter, använd en 1,5 mm 2 ledare (14 AWG)
Ställ ON/OFF-kontakten i ON-position (I) och värmeflärkten bör starta inom 5 sekunder. Om värmeflärkten inte startar, se *Felsökningsguide* (sid3).

ATT STÄNGA AV VÄRMEFLÄKTEN

Vrid ON/OFF-kontakten i OFF-position (O).

ATT OMSTARTA VÄRMEFLÄKTEN

1. Vänta i 2 minuter efter att ha stoppat uppvärmningen.
2. Upprepa stegen under För att starta uppvärmningen.

(se figur 5 och 6, sid. 2)

A. Nollställningsknapp för flamskyddskontrollen, **B.** ON/OFF-kontakt (på/av) med signallampa

FÖRVARING, OMLACERING OCH
TRANSPORT

Obs: Om flärkten ska transporteras kräver transportföretagen att bränsletanken är tom.

1. Töm bränsletanken. Obs: Vissa modeller har en avtappningsplugg på undersidan av bränsletanken. I sådant fall, tag ur pluggen för att tömma tanken. Om värmeflärkten inte har någon avtappningsplugg, töm tanken genom tanklocksöppningen. Försäkra dig om att tanken är helt tömd.
2. Sätt tillbaka avtappningspluggen (om sådan finns).
3. Om det till synes finns restavfall i det gamla bränslet, håll i 1 till 2 liter (1-2 quarts) ren fotogen i tanken, rör om och tappa ur tanken igen. Detta förhindrar att restavfall sätter igen filter vid framtida bruk.
4. Sätt tillbaka tanklocket eller avtappningspluggen. Avyttra gammalt och smutsigt bränsle på en för ändamålet avsedd

- plats. För närmare upplysning kontakta närmaste verkstad som återvinner olja.
5. Vid förvaring av värmefläkten bör utrymmet vara torrt, dammfritt samt fritt från korroderande ångor.

VIKTIGT: Lagra inte fotogen under sommarmånaderna för framtida användning. Gammalt bränsle kan skada värmefläkten.

FÖREBYGGANDE UNDERHÅLLSSCHEMA

WARNING: Utför aldrig service på värmefläkten då denna är elansluten eller varm. Detta kan orsaka brännskador och elektriska stötar.

Delnamn	Hur ofta	Hur
Bränsletank	Spola rent efter cirka 150-200 drifttimmar eller vid behov.	Se Förvaring, Omplacering eller Transport
Filter luftutsläpp samt filterdukar	Byt efter 500 drifttimmar eller en gång per år.	Se Luftutsläpp, Luftintag och Filterduk.
Filter luftintag	Tvätta och torka av med tvål och vatten efter 500 drifttimmar eller vid behov.	Se Luftutsläpp, Luftintag och Filterduk.
Bränslefilter	Rengör två gånger per säsong eller vid behov.	Se Bränslefilter.
Tändsystem	Rengör och ändra öppningen på tändstiftets elektroder var 600:de timmes användning och byt ut tändstiftet vid behov	Se Tändsystem.
Fläktblad	Rengör en gång per säsong eller vid behov.	Se Fläkt.
Motor	Inget underhåll fordras/permanent infettning.	

FELSÖKNINGSGUIDE

WARNING: Utför aldrig service på värmefläkten då denna är elansluten eller varm. Detta kan orsaka brännskador och elektriska stötar.

PROBLEM	MÖJLIG ORSAK	ÅTGÄRD
Uppvärmningsenheten sätts igång, men flamskyddskontrollen stänger av uppvärmningsenheten efter en kort tidsperiod.	<ol style="list-style-type: none"> 1. Fel pumptryck 2. Smutsigt luftutsläpp, luftintag och charpifilter 3. Smutsigt bränslefilter 4. Smuts i munstycket 5. Smutsigt lins i fotocellen 6. Dåligt fungerande flamskyddskontroll 	<ol style="list-style-type: none"> 1. Se Reglering av pumptrycket. 2. Se Luftutsläpp, luftintag och charpifilter. 3. Se Bränslefilter. 4. Se Munstycken. 5. Rengör fotocellens lins 6. Byt flamskyddskontrollen
Uppvärmningsenheten tänds inte, men motorn sätts i gång under en kort tidsperiod.	<ol style="list-style-type: none"> 1. Fel pumptryck 2. Kolavlagringar på tändstiftet och/eller fel öppning 3. Smutsigt bränslefilter 4. Smuts i munstycket 5. Vatten i bränsletanken 	<ol style="list-style-type: none"> 1. Se Reglering av pumptrycket. 2. Se Tändstift. 3. Se Bränslefilter. 4. Se Munstycke. 5. Töm och skölj bränsletanken med rent fotogen. Se Lagring, transport eller skeppning
WARNING: Högsänning!		
	<ol style="list-style-type: none"> 6. Den elektroniska tändningsmekanismen är inte jordad 7. Dålig elektronisk tändningsmekanism 	<ol style="list-style-type: none"> 6. Försäkra dig om att den elektroniska tändningsmekanismens monterning är tät 7. Byt den elektroniska tändningsmekanismen
Motorn startar inte då du ansluter uppvärmningsenheten, fläkten roterar sakta eller inte alls.	<ol style="list-style-type: none"> 1. Flamskyddskontrollen är inte nollställd 2. Pumpens rotor sitter fast 	<ol style="list-style-type: none"> 1. Nollställ flamskyddskontrollens knapp, se Fig. 5 och 6. 2. Om fläkten är trög, se Rotorpumpen.

TILLVÄGAGÅNGSSÄTT VID
UNDERHÅLL

VARNING: Utför aldrig service på värmefläkten då denna är elansluten eller varm. Detta kan orsaka brännskador och elektriska stötar.

ATT AVLÄGSNA DET ÖVRE HÖLJET

1. Lossa skruvar och låsbrickor på var sida av värmefläkten med hjälp av en muttermejsel 5/16" .
2. Lyft av det övre höljet.
3. Avlägsna fläktgallret.

BRÄNSLEFILTER -(Modell 10 och 20 kW)-

1. Lossa skruvarna i sidohöljet med en muttermejsel 5/16" .
2. Avlägsna sidohöljet.
3. Lyft av bränsleledningen i gummi från bränslefilterets topp.
4. Bänd försiktigt ur hylsa och bränslefilter.
5. Rengör bränslefilteret med rent bränsle och sätt sedan tillbaka det i tanken.
6. Sätt tillbaka bränsleledningen på bränslefilterets topp.
7. Sätt tillbaka sidohöljet.

BRÄNSLEFILTER -(Modell 29 och 44 kW)-

1. Lossa skruvarna i sidohöljet med en muttermejsel 5/16" .
2. Avlägsna sidohöljet.
3. Lyft av den övre bränsleledningen från bränslefilterets topp.
4. Bänd försiktigt ur hylsa, undre bränsleledning och bränslefilter.
5. Rengör bränslefilteret med rent bränsle och sätt sedan tillbaka det i tanken.
6. Sätt tillbaka den övre bränsleledningen på bränslefilterets topp.
7. Sätt tillbaka sidohöljet.

(se figur 7 och 8, sid. 2)

A. Övre hölje, B. Fläktgaller

(se figur 9, sid. 2)

A. Bränslefilter, B. Sidoskydd, C. Bränsleledning

(se figur 10, sid. 2)

A. Bränslefilter, B. Sidoskydd, C. Bränsleledning

TÄNDSTIFT -(Modell 10 kW)-

1. Ta bort den övre stommen (se sid. 4).
2. Ta bort fläkten (se sid.5).
3. Ta bort bränsle- och luftslangarna från munstycket.
4. Ta bort tändstiftssladden från tändstiftet.
5. Ta bort två skruvar genom att använda en skruvmejsel av typen 5/16" och ta bort brännarens band.
6. Placera den sexkantiga delen av tändstiftet i ett skruvstäd och dra åt.
7. Ta bort tändstiftets monteringsmutter genom att använda en nyckel 11/16" med öppen ände.
8. Ta bort brännarens band från tändstiftet.
9. Rengör och ändra öppning på tändstiftets elektroder till en öppning på 1,4 mm (0,055").
10. Sätt tillbaka brännarens band på tändstiftet. Roter bandet för korrekt placering av tändstiftets elektroder (se Fig. 13).
11. Dra åt tändstiftet med tändstiftets installationsmutter.
12. Lossa den sexkantiga delen av tändstiftet från tvingen.
13. Sätt tillbaka brännarens band i förbränningskammaren.
14. Fäst tändstiftssladden vid tändstiftet.
15. Fäst bränsle- och luftslangen vid munstycksenhetsen.
16. Sätt tillbaka fläkten (se sid. 5).
17. Sätt tillbaka fläktskyddet och den övre stommen.

(se figur 11, sid. 2)

A. Brännkammare, B. Tändstiftets monteringsmutter, C. Fäste adapter munstycke, D. Tändstift, E. Tändstiftssladd, F. Munstyckets enhet, G. Bränslelednings slang, H. Luftkanalslang.

(se figur 12, sid. 2)

A. Böj här för att reglera öppningen.

(se figur 13, sid. 2)

A. Brännarens band

TÄNDSTIFT -(Modell 20,29 och 44 kW)-

1. Ta bort den övre stommen (se sid. 8).
2. Ta bort fläkten (se sid 13).
3. Ta bort tändstiftssladden från tändstiftet.
4. Ta bort tändstiftet från brännarhuvudet genom att använda en skiftnyckel 13/16" med öppen ände.
5. Rengör och ändra öppningen på tändstiftets elektroder på följande vis:
70/100.000 Btu/Hr modeller: öppning på 1,9 mm (0,075")
150.000 Btu/Hr modell: öppning på 2,8 mm (0,110")
6. Installera tändstiftet i brännarhuvudet.
7. Fäst tändstiftssladden vid tändstiftet.
8. Sätt tillbaka fläkten (se sid. 13).
9. Sätt tillbaka fläktskyddet och den övre stommen.

(se figur 14, sid. 2)

A. Brännarhuvud, B. Tändstiftssladd, C. Tändstift

(se figur 15, sid. 3)

A. Böj här för att reglera öppningen, B. Öppning

LUFTUTSLÄPP, LUFTINTAG OCH FILTERDUK

1. Avlägsna det övre höljet (se sid 7).
2. Lossa skruvarna i filterets bakstycke med en muttermejsel 5/16" .
3. Ta bort filterets bakstycke.
4. Byt filtret i luftutsläppet och filterduk.
5. Rengör eller byt ut filtret i luftintaget (se *Förebyggande underhållsschema*, sid 5).
6. Sätt tillbaka filtret.
7. Sätt tillbaka fläktgallret och det övre höljet.

VIKTIGT: Olja ej in filtren

JUSTERING AV PUMPTRYCK

1. Avlägsna tryckmätarpluggen från filterets bakstycke.
2. Installera tryckmätaren (tillbehör artikel nummer 410.427)
3. Starta värmefläkten (Se *Drift*, sid 4). Låt motorn komma upp i full hastighet.
4. Justera trycket. Vrid säkerhetsventilen åt höger för att öka trycket och till vänster för att minska trycket. Se anvisningar nedan för korrekt tryck för respektive modell.
5. Avlägsna tryckmätaren. Sätt tillbaka tryckmätarpluggen i filterbakstycket.

(se figur 16 och 17, sid. 3)

A. Filter för luftintag, B. Filterbakstycke, C. Fläktgaller, D. Filter för luftutsläpp, E. Filterduk

Modell	Pumptryck Modell (Bar/PSI)
10 kW	0,207 / 3
20 kW	0,365 / 5,3
29 kW	0,275 / 4
44 kW	0,337 / 4,9

(se figur 18, sid. 3)

A. Tryckmätarplugg, B. Säkerhetsventil, C. Plastkåpa

(se figur 19, sid. 3)

A. Tryckmätare

MUNSTYCKE -(Modell 10 kW)-

1. Avlägsna det övre höljet (se sid 7).
2. Avlägsna fläkten (se sid 11).
3. Avlägsna slangen till bränsleledningen och luftkanalen från munstycket (se figur 17, 18 eller 19).
4. För att avlägsna munstycket, vrid detta 1/4 varv till vänster och dra i motorns riktning (se figur 20).
5. Placera den sexkantiga plastylsan i skruvstycket och vrid åt lätt.
6. Avlägsna försiktigt munstycket från adaptern med en hylsnyckel 5/8" (se figur 21).
7. Blås in tryckluft genom munstyckets anslutning. Detta rengör munstycket från smuts.
8. Kontrollera eventuella skador på munstycket.
9. Sätt tillbaka munstycket i adapterns fäste. Vrid 1/3 varv med en hylsnyckel 5/8", 4,5 till 5,1 N-m. (Se figur 21).
10. Sätt fast munstycket i brännarhuvudet.
11. Sätt fast bränsleledning och luftkanal i munstycket. Se "Byte av bränsleledning och luftkanal och Korrekt koppling." (se sid 9).
12. Sätt tillbaka fläkten (se sid 5).
13. Sätt tillbaka fläktgallret och det övre höljet (se sid 5).

(se figur 20 och 21, sid. 3)

A. Brännkammare, B. Fäste adapter munstycke, C. Munstycke/Adapter, D. Slang till bränsleledning, E. Slang till luftkanal

(se figur 22, sid. 3)

A. Anslutning munstycke, B. Packning munstycke, C. Anslutning bränsleledning, D. Anslutning luftkanal, E. Adapter munstycke, F. Munstycke

MUNSTYCKE -(Modell 20, 29 och 44 kW)-

1. Ta bort den övre stommen (se sid. 8).
2. Ta bort fläkten (se sid. 4).
3. Ta bort bränsle- och luftslangarna från brännarhuvudet.
4. Ta bort tändstiftssladden från tändstiftet.
5. Ta bort tändstiftet från brännarhuvudet genom att använda en open nickel 13/16".
6. Ta bort tre skruvar genom att använda en mutterskruvmejsel 5/16" och ta bort brännarhuvudet från förbränningskammaren.
7. Placera brännarhuvudet i ett skruvstäd och dra lätt åt den.
8. Ta försiktig bort munstycket från brännarens huvud genom att använda en nyckel 5/8" (se Fig. 24).
9. Blås tryckluft på munstyckets yta. Detta för att avlägsna eventuellt smuts från munstycket.
10. Inspektera munstyckets tätning för att upptäcka eventuella skador.
11. Sätt tillbaka munstycket i brännarhuvudet och dra åt det (9.1-12.4 n-m/80-110 tum-pund).
12. Fäst brännarhuvudet vid förbränningskammaren.

(se figur 23, sid. 3)

A. Brännkammare, B. Brännarhuvud, C. Tändstiftssladd, D. Tändstift, E. Bränsleslang, F. Luftslang, G. Skruv

(se figur 24, sid. 3)

A. Brännkammare, B. Munstyckets tätning, C. Installation av bränsleslangen, D. Installation av luftslangen, E. Brännarhuvud, F. Munstycke

PUMPROTOR

(Tillvägagångssätt om rotorn låst sig)

1. Avlägsna det övre höljet (se sid 4).
2. Lossa skruvarna i sidoskyddet med en muttermejsel 5/16".
3. Avlägsna filterbakstycket och luftfiltren.
4. Lossa pumpplattan med en muttermejsel 5/16".
5. Avlägsna pumpplatta.
6. Avlägsna rotor, insats och rotorblad.
7. Kontrollera om det finns restavfall i pumpen. I sådant fall, rengör med hjälp av tryckluft.
8. Sätt tillbaka insats och rotor.
9. Kontrollera rotoravståndet. Om nödvändigt justera till 0,076/0,101 mm (se figur 25).
Obs: Vrid rotorn ett helt varv för att försäkra dig om att avståndet är 0,076/0,101 där detta är som minst. Justera om nödvändigt.
10. Sätt tillbaka roterblad, pumpplatta, luftfilter och filterbakstycke.
11. Sätt tillbaka fläktgaller och det övre höljet.
12. Justera pumptrycket (se sid 8).
Obs: Om rotorn fortfarande låser sig, gör enligt följande:
13. Utför steg 1 till 6 enligt ovan.
14. Placera ett finkornigt sandpapper på en plan yta. Slipa rotorn lätt genom att göra en åtta med handen fyra gånger (se figur 26).
15. Sätt tillbaka insats och rotor.
16. Utför steg 10 till 12 enligt ovan.

(se figur 25 och 26, sid. 3)

A. Rotorblad, B. Pumpplatta, C. Filter för luftintag, D. Filterbakstycke, E. Fläktgaller, F. Filter för luftutsläpp, G. Rotor, H. Insats

(se figur 27, sid. 3)

A. Justerskruv B. Avstånd 0,076/0,101 mm Uppmätt med rotormätare, C. Rotorblad

(se figur 28, sid. 3)

A. Sandpapper

FLÄKT

VIKTIGT: Fläkten ska avlägsnas från motoraxeln innan motorn avlägsnas från fläkten.

Om motorn tynger ner fläkten kan detta skada fläktroteringen.

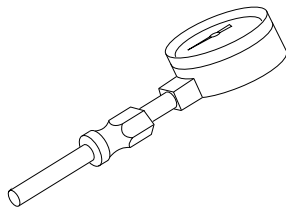
1. Avlägsna det övre höljet (se sid 4).
2. Använd en 2,5 mm insexnyckel för att lossa fästskruven som håller fast fläkten i motoraxeln.
3. För av fläkten från motoraxeln.
4. Rengör fläkten med en mjuk trasa fuktad i fotogen eller lösningsmedel.
5. Torka noggrant fläkten.
6. Sätt tillbaka fläkten på motoraxeln. Placera fläktens nav mot motoraxeln. (Se figur 28).
7. Placera fästskruven på axelns plana yta. Drag åt hårt, 4,5 till 5,6 N-m.
8. Sätt tillbaka fläktgallret och det övre höljet.

(se figur 29 och 30, sid. 3)

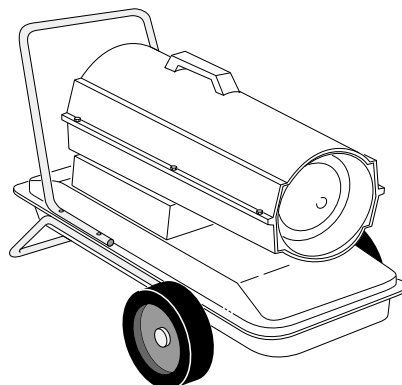
A. Fläkt, B. Motoraxel, C. Fästskruv, D. Fläktnav

TILLBEHÖR

Köp tillbehör från din lokale återförsäljare.

**LUFTMÄTARSET – 4109.427**

Passar alla modeller. Verktyg för att kontrollera pumptryck.

**KRAFTIGA HJUL OCH HANDTAG – 4103.925**

För användning i svår terräng. Ökar värmefläktens flyttbarhet och användning.

Passar modell 10 kW och 20 kW.

GARANTI INFORMATION

INTYG FÖR GENERELL UTRUSTNING – ETT ÅRS GARANTI

DESA Italia garanterar att nya produkter sålda av densamme är fria från fel i material och utförande under ett år från leveransdatum till den förste användaren och under följande villkor:

DESA Italia är skyldig och ansvarig enligt ovanstående garanti att reparera eller ersätta, på val av DESA Italia, delar som enligt DESA Italia vid inspektion finner defekta i material eller utförande vid leverans från fabriken. Dessa delar ska utan kostnad ställas till användarens förfogande under kontorstid vid auktoriserat servicecenter eller direkt vid fabriken. Garantin gäller ej delar eller tillbehör som ej tillverkats av DESA Italia och som omfattas av denna tillverkares garanti, och gäller ej heller normalt underhåll (såsom tryckjusteringar) eller delar för normalt underhåll (såsom filter och tändstift). Utbyta eller reparerade delar som installerats i produkten täcks av denna garanti endast under den tid som återstår av garantitiden för övriga originaldelar. DESA ITALIA GER INGA ANDRA UTTRYCKLIGA GARANTIER. SÅSOM MEDGIVET I LAG GER DESA ITALIA INGA UNDERFÖRSTÄDDA GARANTIER OCH INGA GARANTIER FÖR SÄLJBARHET ELLER LÄMPLIGHET FÖR SPECIFIKA ÄNDAMÅL. SKULLE EN UNDERFÖRSTÄDD GARANTI MEDGIVITS, INKLUSIVE

GARANTI FÖR SÄLJBARHET OCH LÄMPLIGHET, GÄLLER DENNA ENDAST UNDER VARAKTIGHETSTIDEN FÖR DEN UTTRYCKLIGA GARANTIN.

Eventuella transportkostnader, installationskostnader, tullar, skatter eller andra kostnader ska betalas av användaren. DESA Italia är enligt denna begränsade garanti, ej ansvarig för någon direkt, indirekt, oförutsedd eller därav följande, skada eller försening. På DESA Italia begäran ska produkter eller delar för vilka garantin påkallas, återsändas till fabriken på användarens bekostnad. Felaktig användning, inklusive drift efter det att defekta eller utnötta delar upptäckts, överskridande av maxkapacitet, byte av delar som ej godkänts av DESA Italia eller modifieringar eller reparationer som utförts av tredje part och på så sätt att dessa, enligt DESA Italia, påverkar produkten på ett materiellt ogynnsamt sätt, ogiltigförklarar denna garanti.

INGEN ANSTÄLLD ELLER REPRESENTANT HAR RÄTT ATT PÅ NÅGOT SÄTT ÄNDRA DENNA GARANTI ELLER UTLOVA NÅGON ANNAN FORM AV GARANTI, SÅVIDA DENNA INTE ÄR SKRIFTLIG OCH UNDERSKRIVEN AV EN TJÄNSTEMAN ANSTÄLLD PÅ DESA ITALIA HUVUDKONTOR.

SERVICEGARANTI

Specificera alltid modell- och serienummer vid all kommunikation med fabriken.

Vi förbehåller oss rätten att ändra dessa specifikationer när som helst och utan föregående notis. Den enda tillämpliga garantin är vår skriftliga standardgaranti. Vi ger inga andra garantier, uttryckligen eller underförstått.

En manual för underhåll kan erhållas på begäran hos avdelningen för teknik och underhåll:

KANNETTAVA KUUMAILMAPUHALLIN

KÄYTTÖOPAS

TÄRKEÄÄ: Pehdy huolellisesti tähän käyttöoppaaseen ennen laitteen asennusta, käyttöönottoa tai huoltoa. Lämmittimen vääränlainen käyttö voi johtaa vakaviin tapaturmiin. Säilytä käyttöopas myöhempää käyttöä varten.

TURVAOHJEET

VAROITUKSIA

TÄRKEÄÄ: Pehdy tähän käyttöoppaaseen huolellisesti ennen kuin asennat, käytät tai huollat lämmitintä. Laitteen vääränlainen käyttö voi johtaa palovammoihin, tulipaloon, räjähdykseen, sähköiskuun tai häikämyrkytyksen ja voi aiheuttaa vakavia tapaturmia tai kuolemanvaaran.

VAARA: Häikämyrkytyksestä aiheutuu kuolemanvaara!

Häikämyrkytys: Häikämyrkytyksen ensioireet muistuttavat flunssan oireita ja ilmenevät päänsärkinä, huimauksena ja/tai pahoinvointina. Jos näitä oireita esiintyy, lämmitin ei ehkä toimi kunnolla. Hakeudu välittömästi raittiiseen ilmaan! Korjauta lämmitin. Hiilimonoksidi vaikuttaa eri ihmisiin eri tavalla. Herkimpä ovat raskaana olevat naiset, sydän- tai keuhkosairauksia tai anemiaa potevat henkilöt, sekä alkoholin vaikutuksen alaisena tai korkeilla paikoilla olevat henkilöt.

Muista perehtyä kaikkiin varoituksiin perusteellisesti. Säilytä tämä käyttöopas tulevaisuuden varalle. Se auttaa sinua käyttämään lämmitintä oikein ja turvallisesti.

- Suosittelemme ensisijaisesti valopetrolin käyttöä polttoaineena, mutta puhallinta voi käyttää myös dieselpolttoaineella (talvilaaatu) tai kevyellä polttoöljyllä (talvilaaatu). Älä koskaan käytä polttoaineena bensiiniä, tinneriä, alkoholia tai muita tulenarkoja aineita, sillä ne saattavat aiheuttaa tulipalo- ja räjähdysvaaran.
- Tankkaaminen
 - a) Tankkauksesta huolehtivan henkilön on oltava tehtävään, valmistajan ohjeisiin ja turvallista tankkausta koskeviin säännöksiin perehtynyt.
 - b) Käytä ainoastaan lämmitin konekilvessä määritettyä polttoainetta.
 - c) Lämmittimen liekki ja pilottiliikki on sammutettava ja lämmitin on annettava jäähtyä ennen tankkausta.
 - d) Tankkauksen aikana on pidettävä silmällä kaikkia polttoaineletkuja ja niiden liitäntöjä vuotojen varalta. Vuodot on korjattava ennen lämmitin käyttöönottoa.
 - e) Polttoainetta ei saa koskaan varastoida enemmän kuin yhden päivän polttoainetarpeen verran samassa rakennuksessa lämmitin kanssa, eikä polttoainetta saa säilyttää lämmitin läheisyydessä. Polttoainevaraston on sijaittava rakennuksen ulkopuolella.
 - f) Polttoaine on aina varastoitava vähintään 8 m etäisyydelle lämmitimistä, juotoskolveista, hitsausvälineistä ja vastaavista paloturvallisuutta vaarantavista välineistä. (Poikkeuksena on lämmitimeen kuuluva polttoainesäiliö.)
 - g) Polttoaine tulisi pyrkiä varastoimaan sellaisessa paikassa, jossa polttoaine ei lattiaan imeytymisen seurauksena voi valua alemmalle tasolle ja aiheuttaa siten tulipalovaaran.
 - h) Polttoaineen varastoinnissa on noudatettava paikallisia säännöksiä.

- Älä koskaan käytä lämmitintä bensiinin, tinnerin tai muiden tulenarkojen höyryjen läheisyydessä.
- Noudata lämmitin käytössä paikallisia sääntöjä ja säädöksiä.
- Lämmitin on pidettävä riittävän kaukana pressuista, tavarapeitteistä ja muista suojapeitteistä. Suositeltu etäisyys on vähintään 3 m. Suosituksena on myös, että suojapeitteet ovat tultahylkivää materiaalia. Suojapeitteet on kiinnitettävä paikoilleen turvallisesti, jotta ne eivät pääse syttymään tai tönäisemään lämmitintä ilmavirran seurauksena.
- Käytä lämmitintä ainoastaan hyvin tuuletetussa tilassa. Käyttötilassa on oltava vähintään 2800 cm² suuruinen aukko lämmitystehon jokaista 30 kW (25.000 kcal/t) kohden.
- Käyttöalueella ei saa olla tulenarkoja höyryjä tai liikaa pölyä.
- Käytä ainoastaan laitteen konekilvessä määritettyä sähköjännitettä ja -taajuutta.
- Käytä vain maadoitettua jatkojohtoa.
- Lämmittimen minimiturvaetäisyys räjähdysalttiistamateriaaleista:
Kuuma ilmanpuhallus: 250 cm Sivu-, ylä- jatakaosat: 125 cm.
- Lämmittimen ollessa käynnissä tai kuuma aseta se tasaiselle ja vakaalle alustalle palovaaran välttämiseksi.
- Lämmitin on pidettävä vaaka-asennossa varastoinnin ja kuljetuksen aikana, jotta polttoaine ei läikky.
- Pidä lapset ja kotieläimet loitolla lämmitimestä.
- Irrota virtajohto pistorasiasta, kun lämmitin ei ole käytössä.
- Käytettäessä termostaatin kanssa lämmitin voi käynnistyä milloin tahansa.
- Lämmitintä ei saa käyttää asuintiloissa.
- Älä koskaan tuki lämmitin imuilman aukkoa (takana) tai ilman puhallusaukkoa (edessä).
- Lämmitintä ei saa siirtää, käsitellä, tankata tai huoltaa sen ollessa kuuma, käynnissä tai kytkettynä virtalähteeseen.
- Älä koskaan yhdistä ilmastointikanavia lämmitin etu- tai takaosaan.
- Laitetta ei saa koskaan jättää käyntiin ilman valvontaa.

TUOTETUNNISTUS

(kuva 1 ja 2, sivut 2)

A. Kuumailmapuhallus, **B.** Kädensija, **C.** Siipipyörän suojakansi, **D.** Ilmansuodattimen kansi, **E.** Polttoainesäiliön korkki, **F.** Virtajohto, **G.** Valolla varustettu käynnistyskytkin, **H.** Sivu suojuus, **I.** Polttoainesäiliö, **L.** Alasuojus, **M.** Yläsuojus, **N.** Sammumisen valvonta

PAKKAUKSEN PURKAMINEN

1. Poista kaikki pakkausmateriaalit.
2. Ota kaikki osat ulos pakkauslaatikosta.
3. Tarkasta osat kuljetuksen aikana mahdollisesti tapahtuneiden vaurioiden varalta. Jos lämmitin on vaurioitunut, ota välittömästi yhteys myyntiedustajaan, jolta ostit lämmitin.

ILMANVAIHTO

VAROITUS: Suosittelemme ensisijaisesti valopetrolin käyttöä polttoaineena, mutta puhallinta voi käyttää myös diesel-polttoainella (talvilaatu) tai kevyellä polttoöljyllä (talvilaatu). Älä koskaan käytä polttoaineena bensiiniä, tinneriä, alkoholia tai muita tulenarkoja aineita, sillä ne saattavat aiheuttaa tulipalo- ja räjähdysvaaran.

Älä käytä raskaspolttoöljyä, sillä se aiheuttaa tukoksia polttoainesuodattimessa ja-suuttimessa.

TÄRKEÄÄ: Säilytä polttoaineastiassa AINOASTAAN suositeltua polttoainetta ja varmista että astia on puhdas. Epäpuhtaudet kuten ruoste, kila ja vesi aiheuttavat liekin sammumisen, jolloin itse lämmitin sammuu. Jos astiassa on epäpuhtauksia, joudutaan polttoainejärjestelmä puhdistamaan usein.

ASENNUS

(Vain mallit 29 ja 44 kW)

Nämä mallit on varustettu pyörillä ja kädensijoilla. Pyörät, kahvat ja niiden kiinnitysvälineet ovat pakkauslaatikossa.

Tarvittavat työkalut:

- Keskkikokoinen ruuvitaltta
- CH 8 tuuman avokitainen kiintoavain tai jakoavain.
- Vasara.

1. Pujota akseli runkorakenteeseen läpi. Asenna pyörät akseliin. **TÄRKEÄÄ:** Asentaessasi pyöriä aseta ne niin, että pyörien ulkoneva napa on runkorakenteeseen päin (kuva 3).
2. Aseta umpimutterit akselin päihin. Kiinnitä varovaisesti vasaralla naputtamalla.
3. Aseta lämmitin rungon päälle. Varmista, että imuilman aukko (takana) on pyörien päällä. Kohdista polttoainesäiliön laipan reiät rungon reikiin.
4. Aseta etu- ja takakahvat polttoainesäiliön laipan päälle. Pujota ruuvit kahvojen, laipan ja rungon läpi. Kiinnitä kuhunkin ruuviin mutteri ja kiristä sormin.
5. Kun kaikki ruuvit on kiinnitetty, kiristä mutterit tiukoiksi.

(kuva 3, sivut 2)

A. Kuumailmapuhallus, **B.** Ruuvi, **C.** Etukahva, **D.** Takakahva, **E.** Imuilmanaukko, **F.** Ulkoneva napa, **G.** Akseli, **H.** Pyörä, **I.** Mutteri, **L.** Umpimutteri, **M.** Runko, **N.** Polttoainesäiliön laippa.

ILMANVAIHTO

VAROITUS: Noudata ilmanvaihtoa koskevia perusvaatimuksia. Asianmukaisen raitti silmatuuletuksen laiminlyönti johtaa häikämyrkytysvaaraan. Varmista raittiin ulkoilman saatavuus ennen lämmittimen käynnistämistä.

Käyttötilassa on oltava vähintään 2800 cm² suurinenaukko lämmitystehon jokaista 30 kW (25.000 kcal/t) kohden. Käytettäessä useampia lämmittimiä on ilmansaantia lisättävä.

Esimerkki: 43 kW -lämmittintä varten tarvitaan yksi seuraavista:

- kahden auton autotallinovi (oviaukko 5 m), joka on nostettu 9 cm korkeuteen.
- yhden auton autotallinovi (oviaukko 2,75 m), joka on nostettu 16 cm korkeuteen.
- kaksi 76 cm ikkunaa avattuna 28 cm.

KÄYTTÖPERIAATTEET

Polttoainejärjestelmä: Ilmapumppu pakottaa ilmaa ilmaputken läpi. Tämän jälkeen ilma työntyy polttimen suuttimen läpi. Ilmavirran vaikutuksesta polttoainesäiliöstä nousee polttoainetta, jolloin palotilaan suihkuu hienoa polttoainesumua.

Ilmajärjestelmä: Moottori pyörittää siipipyörää. Siipipyörä työntää ilmaa palotilaan ja sen ympärille. Tämä ilma kuumenee ja tuottaa puhtaan, kuuman ilmavirran.

Sytytysjärjestelmä: Elektroninen sytytin lähettää virtaa sytytystulppaan. Sytytystulppa sytyttää polttoaineen ja ilman seoksen.

Liekintunnistinjärjestelmä: Tämä järjestelmä sammuttaa lämmittimen, jos liekki sammuu.

(kuva 4, sivut 2)

A. Puhdas, kuuma ilmavirta, **B.** Palotila, **C.** Sytytystulppa, **D.** Polttimen pää, **E.** Siipipyörä, **F.** Moottori, **G.** Ilmapumppu, **H.** Imuilmansuodatin, **I.** Viileän ilman sisäänotto, **L.** Ulostuloilman suodatin, **M.** Sytytyspuola, **N.** Ilmaletku polttimeen, **O.** Polttoainesuodatin, **P.** Suutin, **Q.** Polttoainesäiliö, **R.** Ilmavirta polttoainejärjestelmään, **S.** Ilmavirta palotilaa ja lämmitystä varten, **T.** Polttoaine.

KÄYTTÖ

VAROITUS: Perehdy huolellisesti turvaohjeita käsittelevään osaan. Ohjeita on noudatettava tarkoin lämmittimen turvallisen toiminnan varmistamiseksi. Noudata lämmittimen käytössä paikallisia säännöksiä.

LÄMMITTIMEN KÄYNNISTÄMINEN

1. Noudata kaikkia ilmanvaihto- ja turvaohjeita.
2. Tankkaa polttoainesäiliö valopetrolilla, diesel-polttoaineella (talvilaatu) tai kevyellä polttoöljyllä (talvilaatu).
3. Sulje polttoainesäiliön korkki.
4. Kiinnitä virtajohto 230 V/50 Hz maadoitettuun pistorasiaan. Käytä tarvittaessa jatkojohtoa. Jatkojohdon on oltava maadoitettu.

Jatkojohtoa koskevat vaatimukset:

Pituus: 30,5 m saakka; käytä 1,0 mm² (16 AWG) johtoa..

Pituus: 30,6 - 60 m; käytä 1,5 mm² (14 AWG) johtoa..

Paina käynnistyskytkin päälle (I), ja lämmittimen pitäisi käynnistyä 5 sekunnin kuluttua. Jos käynnistyskytkimen valo ei syty tai lämmitin ei käynnisty, katso kohtaa Vianetsintä (sivut 6 ja 7).

LÄMMITTIMEN SAMMUTTAMINEN

Paina käynnistyskytkin OFF-asentoon.

LÄMMITTIMEN UDELLEENKÄYNNISTYS

1. Odota 2 minuuttia sen jälkeen, kun lämmitin on pysäytetty.
2. Toista kohdan Lämmittimen käynnistäminen vaiheet.

(kuva 5 ja 6, sivut 2)

A. Sammumisen valvonta, **B.** Valolla varustettu käynnistyskytkin.

VARASTOINTI JA KULJETUS

Huom: Kuljetusyhtiöt edellyttävät polttoainesäiliön olevan tyhjä. Toimi näin:

1. Valuta säiliö tyhjäksi. **Huom:** Joidenkin mallien polttoainesäiliön pohjassa on tyhjennystulppa. Irrota tulppa ja valuta säiliö tyhjiin. Jos lämmittimessä ei ole tyhjennysaukkoa, tyhjennä säiliö täyttöaukon kautta. Varmista, että säiliö on täysin tyhjä.
2. Aseta tyhjennystulppa paikoilleen (jos varusteena).
3. Jos vanhassa polttoaineessa havaitaan vierasta materiaalia, lisää säiliöön 1 - 2 litraa puhdasta kerosiinia. Sekoita ja tyhjennä uudelleen. Näin estetään likaa tukkimasta suodattimia vastaisuudessa.
4. Aseta täyttöaukon korkki tai tyhjennystulppa paikalleen. Hä-

vitä käytetty, epäpuhdas polttoaine. Ota yhteyttä paikallisiin huoltoasemiin, jotka kierrättävät polttoainetta.

TÄRKEÄÄ: Älä varastoi kerosiinia kesän ajaksi. Vanhan polttoaineen käyttöönotto syksyllä voi vaurioittaa lämmitintä.

5. Lämmitin on varastoitava kuivassa paikassa. Varmista, että varastossa ei ole pölyä tai syövyttävää höyryä.

ENNALTAEHKÄISEVÄ HUOLTO-OHJELMA

VAROITUS: Älä koskaan huolla lämmitintä sen ollessa kuuma, käynnissä tai kytkettynä virtalähteeseen. Seurauksena voi olla vakavia palovammoja tai sähköisku.

Osa	Huoltoväli	Ohjeet
Polttoainesäiliö	Huuhtelee 150 - 200 tunnin välein tai tarpeen mukaan.	Ks. <i>Varastointi ja kuljetus</i> , sivu 2.
Ulostuloilman suodatin ja nukkasuodatin	Vaihda 500 tunnin välein tai kerran vuodessa	Ks. <i>Ulostulo- ja imuilman suodattimet sekä nukkasuodatin</i> , sivu 4.
Imuilmansuodatin	Pese vedellä ja saippualla ja kuivaa 500 tunnin välein tai tarpeen mukaan	Ks. <i>Ulostulo- ja imuilman suodattimet sekä nukkasuodatin</i> , sivu 4
Polttoainesuodatin	Puhdista kaksi kertaa lämmityskauden aikana tai tarpeen mukaan	Ks. <i>Polttoainesuodatin</i> , sivu 4
Sytytystulppa	Puhdista ja säädä välit 600 työtunnin jälkeen tai vaihda tarvittaessa	
Siipipyörän siivet	Puhdista kerran lämmityskauden aikana tai tarpeen mukaan.	Ks. <i>Siipipyörä</i> , sivu 5
Moottori	Ei sovelleta/jatkuva voitelu	

VIANETSINTÄ

VAROITUS: Älä koskaan huolla lämmitintä, kun se on seinässä tai kun se on toiminnassa tai kuuma. Vakavien palovammojen ja sähköiskujen vaara.

ONGELMA	MAHDOLLINEN SYY	RATKAISU
Lämmitin syttyy, mutta sammumisen valvonta sammuttaa lämmittimen lyhyen ajan jälkeen.	<ol style="list-style-type: none"> Väärä pumpun paine Ilman otto- ja/tai antoaukot ja/tai nukkasuodattimet likaiset Polttoaineen suodatin likainen Likaa suuttimessa Valokennon linssi likainen Sammumisen valvonnassa vikaa 	<ol style="list-style-type: none"> Katso kappale Pumpun paineen säätö, sivu 4. Katso kappale Ilman anto, ilman otto ja nukkasuodattimet, sivu 4 Katso kappale Polttoaineen suodatin, sivu 4 Katso kappale Suutin, sivu 5 Puhdista valokennon linssi Vaihda sammumisen valvonta
Lämmitin ei syty, mutta moottori käy lyhyen aikaa.	<ol style="list-style-type: none"> Väärä pumpun paine Karstakertymiä sytytystulpassa ja/tai vääränlainen väli Polttoaineen suodatin likainen Likaa suuttimessa Vettä polttoainesäiliössä 	<ol style="list-style-type: none"> Katso kappale Pumpun paineen säätö, sivu 4 Katso kappale Sytytystulppa, sivu 4 Katso kappale Polttoaineen suodatin, sivu 4 Katso kappale Suutin, sivu 5 Tyhjennä polttoainesäiliö ja huuhtelee se puhtaalla kerosiinilla. Katso kappale Säilytys, kuljetus tai toimitus, sivu 2
VAROITUS: Korkea jännite!		
	<ol style="list-style-type: none"> Elektroninen sytytin ei ole maadoitettu Elektronisessa sytyttimessä vikaa 	<ol style="list-style-type: none"> Varmista, että elektroninen sytytin on kiinnitetty tiukasti Vaihda elektroninen sytytin
Moottori ei käynnisty, kun lämmitin on seinässä, tuuletin pyörii hitaasti tai ei käänny	<ol style="list-style-type: none"> Sammumisen valvontaa ei ole nollattu Pumpun roottori takertelee 	<ol style="list-style-type: none"> Nollaa sammumisen valvontapainike, katso kuvat 5 ja 6, sivu 2 Jos tuuletin kääntyy huonosti, katso kappale Pumpun roottori, sivu 5

HUOLTO

VAROITUS: Älä koskaan huolla lämmitintä sen ollessa kuuma, käynnissä tai kytkettynä pistorasiaan. Seurauksena voi olla vakavia tapaturmia tai sähköisku.

YLÄSUOJUKSEN IRROTTAMINEN

1. Irrota ruuvit ja lukkoaluslevyt lämmittimen kummaltakin puolelta CH 8 tuuman kiintoavaimella. Nämä ruuvit kiinnittävät ylä- ja alasuojukset toisiinsa.
2. Irrota yläsuojus.
3. Poista siipipyörän suojakansi.

POLTTOAINESUODATIN

(10 kW ja 20 kW mallit)

1. Irrota sivusuojuksen ruuvit CH 8 tuuman kiintoavaimella.
2. Irrota sivukansi.
3. Vedä kuminen polttoaineletku polttoainesuodattimen kannasta.
4. Vipua varovaisesti holkki ja polttoainesuodatin irti polttoainesäiliöstä.
5. Pese polttoainesuodatin puhtaalla polttoaineella ja kiinnitä takaisin säiliöön.
6. Kiinnitä kuminen polttoaineletku takaisin polttoainesuodattimen kantaan.
7. Rimontare il coperchio laterale.

POLTTOAINESUODATIN *-(29 kW ja 44 kW mallit)-*

1. Irrota sivusuojuksen ruuvit CH 8 tuuman kiintoavaimella.
2. Irrota sivukansi.
3. Vedä kuminen polttoaineletku polttoainesuodattimen kannasta.
4. Vipua varovaisesti holkki ja polttoainesuodatin irti polttoainesäiliöstä.
5. Pese polttoainesuodatin puhtaalla polttoaineella ja kiinnitä takaisin säiliöön.
6. Kiinnitä kuminen polttoaineletku takaisin polttoainesuodattimen kantaan.
7. Kiinnitä sivusuojus paikoilleen. (kuva 7 ja 8)

(kuva 7 ja 8, sivut 2)

A. Yläsuojus, B. Siipipyörän suojakansi.

(kuva 9, sivut 2)

A. Polttoainesuodatin, B. Sivusuojus, C. Polttoaineletku.

(kuva 10, sivut 2)

A. Polttoainesuodatin, holkki ja alempi polttoaineletku, B. Ylempi polttoaineletku, C. Sivusuojus.

SYTYTYSTULPPA *-(35,000 Btu/Hr Model)-*

1. Irrota ylempi kuori (katso sivu 4).
2. Irrota tuuletin (katso sivu 5).
3. Irrota polttoaineen ja ilman letkut suutinkokonaisuudesta.
4. Irrota sytytystulpan johto sytytystulpasta.
5. Irrota molemmat ruuvit käyttämällä 5/16-tuumaista mutterinväänintä ja irrota polttimen hihna.
6. Aseta sytytystulpan kuusiorunko puristimeen ja kiristä.
7. Irrota sytytystulpan kiinnitysmutteri käyttämällä 11/16-tuumaista leuka-avainta.
8. Irrota polttimen hihna sytytystulpasta.
9. Puhdista sytytystulpan elektrodit ja sijoita ne 1,4 mm:n etäisyydelle toisistaan.
10. Kiinnitä polttimen hihna takaisin sytytystulppaan. Kierrä polttimen hihnaa asettaaksesi sytytystulpan elektrodit paikalleen (katso kuva 13).
11. Kiristä sytytystulppaa sytytystulpan kiinnitysmutterin avulla.
12. Ota sytytystulpan kuusiorunko puristimesta.
13. Aseta polttimen hihna polttokammioon.
14. Kiinnitä sytytystulpan johto sytytystulppaan.

15. Kiinnitä polttoaineen ja ilman letkut suutinkokonaisuuteen.
16. Aseta tuuletin takaisin paikalleen (katso sivu 5).
17. Aseta paikalleen tuulettimen suojus ja ylempi kuorikappale.

(kuva 11, sivut 2)

A. Polttokammio, B. Sytytystulpan, C. kiinnitysmutteri, D. Polttimen hihna, E. Sytytystulppa, F. Sytytystulpan johto, G. Suutinkokonaisuus, H. Polttoaineen letku, I. Ilman letku.

(kuva 12, sivut 2)

A. Taivuta tästä välin säätämiseksi

(kuva 13, sivut 2)

A. Polttimen hihna

SYTYTYSTULPPA *-(Mallit 20/30/44 kW)-*

1. Irrota ylempi kuori (katso sivu 4).
2. Irrota tuuletin (katso sivu 5).
3. Irrota sytytystulpan johto sytytystulpasta.
4. Irrota sytytystulppa polttimen päästä käyttämällä 13/16-tuumaista leuka-avainta.
5. Puhdista ja sijoita sytytystulpan elektrodit seuraavalla tavalla: Mallit 70/100,000 Btu/Hr: 1,9 mm:n väli Malli 150,000 Btu/Hr: 2,8 mm:n väli
6. Asenna sytytystulppa polttimen päähän.
7. Kiinnitä sytytystulpan johto sytytystulppaan.
8. Aseta tuuletin takaisin paikalleen (katso sivu 5).
9. Aseta paikalleen tuulettimen suojus ja ylempi kuorikappale.

(kuva 14, sivut 3)

A. Polttimen pää, B. Sytytystulpan johto, C. Sytytystulppa

(kuva 15, sivut 3)

A. Taivuta tästä välin säätämiseksi, B. Väli

ULOSTULO- JA IMUILMAN SUODATTIMET SEKÄ NUKKASUODATIN

1. Irrota yläsuojus (kuva 7-8).
 2. Irrota suodattimen kansi CH 8 tuuman kiintoavaimen avulla.
 3. Poista suodattimen kansi.
 4. Vaihda ulostuloilman suodatin ja nukkasuodatin.
 5. Pese tai vaihda imuilmansuodatin (ks. *Ennaltaehkäisevä-huolto-ohjelma*, sivu 5).
 6. Aseta suodattimen kansi takaisin paikalleen.
 7. Aseta siipipyörän suojakansi ja yläsuojus takaisin paikoilleen.
- TÄRKEÄÄ:** Suodattimia ei saa voidella öljyllä.

PUMPUN PAINEN SÄÄTÖ

1. Irrota painemittarin tulppa sekä muovinen tulppa (vain 10 kW ja 20 kW) suodattimen kannasta.
2. Asenna lisävarusteena saatava painemittari (code 4109.427).
3. Käynnistä lämmitin (ks. *Käyttö*, sivu 4). Anna moottorin kiihtyä täyteen nopeuteen.
4. Säädä paine. Kierrä säätöventtiiliä oikealle paineen lisäämiseksi. Kierrä vasempaan paineen vähentämiseksi. Tarkista kunkin mallin pumppauspaine viereisestä listasta.
5. Irrota painemittari. Aseta mittarin tulppa sekä muovinen tulppa (vain 10 kW ja 20 kW) paikoilleen suodattimen kanteen.

(kuva 16 ja 17, sivut 3)

A. Imuilmansuodatin, B. Suodattimen kansi, C. Siipipyörän suojakansi, D. Ulostuloilman suodatin, E. Nukkasuodatin.

Malli	Pumpun paine (Bar/PSI)
10 kW	0,207 / 3
20 kW	0,365 / 5,3
29 kW	0,275 / 4
44 kW	0,337 / 4,9

(kuva 18, sivut 3)

A. Painemittarin tulppa, B. Päästöventtiili, C. Muovinen tulppa

(kuva 19, sivut 3)

A. Painemittari

SUUTIN -(10 kW Model)-

1. Irrota yläsuojus (kuva 7-8).
2. Irrota siipipyörä (kuva 27).
3. Irrota polttoaine ja ilmaletkut suuttimesta (kuva 17, 18 tai 19).
4. Kierrä suutinta 1/4 kierrosta vasemmalle ja irrota se vetämällä samanaikaisesti moottoria kohti (kuva 20).
5. Aseta muoviosa puristimeen ja kiristä kevyesti.
6. Irrota suutin varovasti suuttimen sovittimesta CH 16 tuuman hylsyavaimella (kuva 21).
7. Puhalla suuttimen etuosan kautta paineilmaa, jolloin suutin puhdistuu.
8. Tarkasta suuttimen tiiviste vaurioiden varalta.
9. Aseta suutin takaisin sovittimeen siten, että se on kunnollapaikallaan. Kiristä 1/3 kierrosta CH 16 tuuman hylsyavaimella 4,5-5,1 N-m tiukkuuteen. Ks. kuva 21.
10. Kiinnitä suutin polttimen pidikkeeseen.
11. Liitä polttoaine- ja ilmaletkut suuttimeen. Ks. *Polttoaine-jailmaletkujen kiinnittäminen paikalleen*.
12. Aseta siipipyörä paikalleen (kuva 27-28).
13. Aseta siipipyörän suojuksen ja yläsuojus paikalleen (kuva 7-8).

(kuva 20 ja 21, sivut 3)

A. Polttokammio, B. Suuttimen sovitin, C. Suutin ja suuttimen sovitin, D. Polttoaineletku, E. Ilmaletku

(kuva 22, sivut 3)

A. Suuttimen etuosa, B. Suuttimen tiiviste, C. Polttoaineletkun liitin, D. Ilmaletkun liitin, E. Suuttimen sovitin, F. Suutin

SUUTIN -(Mallit 20/29/44 kW)-

1. Irrota ylempi kuori (katso sivu 4).
2. Irrota tuuletin (katso sivu 5).
3. Irrota polttoaineen ja ilman letkut polttimen päästä.
4. Irrota sytytystulpan johto sytytystulpasta.
5. Irrota sytytystulppa polttimen päästä käyttämällä 13/16-tuumaista leuka-avainta.
6. Irrota kolme ruuvia käyttämällä 5/16-tuumaista mutterinväänintä ja irrota polttimen pää polttokammioista.
7. Aseta polttimen pää puristimeen ja kiristä kevyesti.
8. Poista suutin varovasti polttimen päästä käyttämällä 5/8-tuumaista hylsyavainta (katso kuva 24).
9. Puhalla paineilmaa suutinpinnan läpi. Tämä irrottaa kaiken suuttimen alueella olevan lian.
10. Tarkasta, ettei suuttimen sinetissä ole vaurioita.
11. Aseta suutin takaisin polttimen päähän ja kiristä tiukasti (9,1-12,4 Nm).
12. Kiinnitä polttimen pää polttokammioon.
13. Asenna sytytystulppa polttimen suuttimeen.
14. Kiinnitä sytytystulpan johto sytytystulppaan.
15. Kiinnitä polttoaineen ja ilman letkut polttimen päähän.
16. Aseta tuuletin takaisin paikalleen (katso sivu 5).
17. Aseta paikalleen tuulettimen suojuksen ja ylempi kuorikappale.

(kuva 23, sivut 3)

A. Polttokammio, B. Polttimen pää, C. Sytytystulpan johto, D. Sytytystulppa, E. Polttoaineen letku, F. Ilman letku, G. Ruuvi

(kuva 24, sivut 3)

A. Suutinpinta, B. Suuttimen sinetti, C. Polttoaineletkun kiinnitys, D. Ilmaletkun kiinnitys, E. Polttimen pää, F. Suutin

PUMPUN ROOTTORI

1. Irrota yläsuojus (kuva 7-8).
2. Käyttäen CH 8 tuuman kiintoavainta irrota suodattimen kannen ruuvit.
3. Poista suodattimen kansi ja ilmansuodattimet.
4. Irrota pumpun kannen ruuvit CH 8 tuuman kiintoavaimen avulla.
5. Irrota pumpun kansi.
6. Irrota roottori, sovituskappale ja siivet.
7. Tarkasta pumpun lian varalta. Jos havaitset likakerääntymiä, puhdista ne paineilamalla.
8. Aseta sovituskappale ja roottori takaisin paikoilleen.
9. Tarkista roottorin välitys. Sen tulee olla 0,076/0,101 mm. Säädä tarvittaessa (kuva 25).
Huom: Pyöräytä roottoria yhden kokonaisen kierroksen varmistaaksesi, että välitys on pienimmillään 0,076/0,101 mm. Säädä tarvittaessa.
10. Aseta paikoilleen siivet, pumpun kansi, ilmansuodattimet ja suodattimen kansi.
11. Kiinnitä siipipyörän suojakansi ja yläsuojus paikoilleen.
12. Säädä pumpun paine (kuva 8).
Huom: Jos roottorissa on yhä liikaa vastusta, noudata seuraavia ohjeita.
13. Suorita vaiheet 1 - 6.
14. Aseta hienoa hiekkapaperia (600 karkeus) tasaiselle pinnalle. Hio roottoria kahdeksikon muotoisin liikkein neljä kertaa (kuva 26).
15. Asenna sisäkappale ja roottori takaisin paikoilleen.
16. Suorita vaiheet 10 - 12.

(kuva 25 ja 26, sivut 3)

A. Siipi, B. Pumpun kansi, C. Imuilmansuo-datin, D. Suodattimen kansi, E. Siipipyörän suojakansi, F. Ulostuloilman suodatin, G. Roottori, H. Sovitinkappale

(kuva 27, sivut 4)

A. Välityksen säätöruuvi, B. 0,076/0,101 mm välitys rakomitalla mitattuna, C. Siipi

(kuva 28, sivut 4)

A. Hiekkapaperi

SIIPIPYÖRÄ

TÄRKEÄÄ: Irrota siipipyörä moottorin akselistä ennen moottorin irrottamista lämmittimestä. Moottorin siipipyörään kohdistama painosaattaa taivuttaa siipiä.

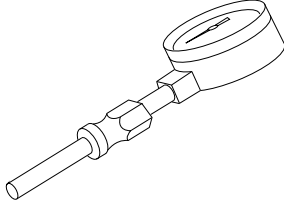
1. Irrota yläsuojus (kuva 7-8).
2. 2,5 tuuman kiintoavainta käyttäen löysää siipipyörän moottorin akseliin kiinnittävä asetusruuvi.
3. Vedä siipipyörä moottorin akselilta.
4. Puhdista siipipyörä pehmeällä kankaalla, joka on kostutettu puhdistusaineella tai liuottimella.
5. Kuivata siipipyörä perusteellisesti.
6. Aseta siipipyörä takaisin akselille. Aseta sen napa tasan akselin pään kanssa (kuva 28).
7. Aseta asetusruuvi akseliin jyrskyttyn uraan ja kiristä hyvin (4,5-5,6 Nm).
8. Aseta siipipyörän suojakansi ja yläsuojus paikoilleen.

(kuva 29 ja 30, sivut 4)

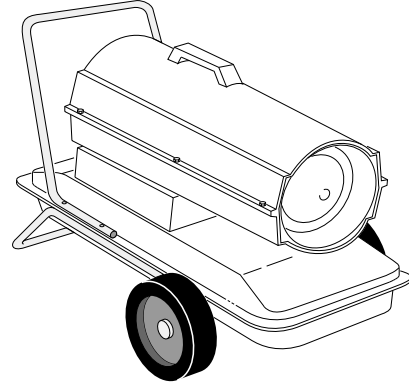
A. Siipipyörä, B. Moottorin akseli, C. Asetusruuvi, D. Otsa-pinnat-tasan.

LISÄVARUSTEET

Voit hankkia lisävarusteita paikalliselta myyntiedustajalta.

**ILMANPAINEMITTARI - 4109.427**

Erityisväline pumpun ilmanpaineen mittaamiseen. Sopii kaikkiin malleihin.

**PYÖRÄT JA KAHVA RASKAASEEN
KÄYTTÖÖN - 4103.925**

Raskaaseen käyttöön. Tekee lämmittimen käytöstä entistäkätevämpää. 10 ja 20 kW -malleja varten.

TAKUU JA HUOLTOPALVELU

TUOTETODISTUS - RAJOITETTU YHDEN VUODEN TAKUU

DESA Italia antaa tuotteelle valmistusmateriaalia ja työn laatua kattavan takuun yhdeksi (1) vuodeksi ensikäyttäjälle toimittamisesta (toimituspäivästä lukien) seuraavilla ehtoilla:

DESA Italia in vastuut ja velvoitteet tämän takuun puitteissa rajoittuvat DESA Italia insuorittaman tarkastuksen seurauksena valmistusmateriaaliltaan tai työn laadultaan viallisiksi todettujen ja tehtaalta sellaisina lähetettyjen tuotteiden korjaamiseen tai vaihtoon DESA Italia in valinnanmukaan. Nämä osat toimitetaan käyttäjälle maksutta tehtaan valtuuttaman huoltopisteen edustajan tai tehtaantoimesta (tavallisina aukioloaikoina). Takuu ei kata osia tai lisävarusteita, joiden valmistaja ei ole DESA Italia ja jotka ovat valmistajan takuun piirissä, tai tavallista huoltoa (esim. paineen säätäminen) tai normaaleja huolto-osia (esim. suodattimet ja sytytystulpat). Takuun puitteissa vaihdetuille ja korjatuille osille annetaan vain alkuperäisestä takuusta jäljellä oleva takuaika samoin kuin tuotteen alkuperäisösillekin. DESA ITALIA EI ANNA MITÄÄN MUUTA SUORAA TAKUUTA. LAIN SALLIESSA DESA ITALIA EI ANNA MITÄÄN EPÄSUORAA

TAKUUTA TAI KAUPAKSIK ÄYVYYTTÄ TAI TIETTYYN TARKOITUKSEEN SOVELTUVUUTTA KOSKEVAA TAKUUTA. EP ÄSUORAT KAUPAKSIKÄYVYYTTÄ TAI TIETTYYN TARKOITUKSEEN SOVELTUVUUTTA KOSKEVAT TAKUUT OVAT JOKA TAPAUKSESSA VOIMASSA VAIN SUORAN TAKUUN VOIMASSA OLOAJAN.

Käyttäjä on vastuussa kaikista kuljetus-, asennus-, tulli-, vero- tai muista kustannuksista. DESA Italia ei tämän takuun puitteissa kannu vastuuta mistään suorista, epäsuorista, satunnaisista tai välillisistä vahingoista tai viivästymisistä. DESA Italia in niin halutessa korvausvaatimuksen kohteena olevat tuotteet tai osat on palautettava tehtaalle ostajan kustannuksella. Väärä käyttö johtaa takuun raukeamiseen. Vääräksi käytöksi katsotaan tuotteen käyttö vaurioituneiden tai kuluneiden osien toteamisen jälkeen, käyttötehon ylittävä käyttö, sellaisten varaosien käyttö, joita DESA Italia ei ole hyväksynyt, tai muiden toimesta tehdyt muutokset tai korjaukset, jotka DESA Italia in mielestä vaikuttavat tuotteeseen tuntuvasti ja epäedullisesti.

HUOLTOPALVELU

Ilmoita malli ja sarjanumero aina, kun otat yhteyttä tehtaalle.

Kaikki oikeudet näiden määritteiden muutoksiin milloin tahansa ilman ennakoilmoitusta pidätetty.

Kirjallinen vakiotakuu on ainoa voimassa oleva takuu. Muita suoria tai epäsuoria takuita ei anneta.

Huolto-oppaan voit tilata halutessasi teknisten palvelujen osastolta seuraavasta osoitteesta:

VARMEKANONER

BRUGSANVISNING

VIGTIGT: Denne brugsanvisning bør læses og tilegnes, inden man samler, starter og betjener varmekanonen. Ukorrekt drift giver risiko for alvorlig personskade. Gem brugsanvisningen til senere brug.

SIKKERHED

⚠ ADVARSLER

VIGTIGT: Hele brugsanvisningen skal læses grundigt og tilegnes, inden varmekanonen samles, benyttes eller reparerer. Ukorrekt drift kan forårsage livsfarlig kvæstelse, brand, eksplosion, elektrisk stød og kulilteforgiftning.

⚠ FARE: Kulilteforgiftning er livsfarlig!

Kulilteforgiftning: De første symptomer på kulilteforgiftning minder om influenza med hovedpine, svimmelhed og kvalme. Hvis De får disse symptomer, kan det være varmekanonen ikke fungerer korrekt. **Gå omgående ud i fri luft!** Få varmekanonen efterset. Nogle påvirkes mere end andre af kulilte, f.eks. gravide kvinder, personer med hjerte- og lungesygdomme og anæmi, berusede personer og i højere grad jo højere man er oppe over havoverfladen.

Sæt Dem grundigt ind i alle advarsler. Gem denne brugsanvisning til senere brug; den er Deres anvisning i sikker og korrekt anvendelse af denne varmekanon.

- Brug nr. 1 fuelolie i varmekanonen, så brand- og eksplosionsrisiko afværges. Der må aldrig påfyldes benzin, rensebenzin, fortynder, alkohol eller andre former for meget brandfarlige brændstoffer.
- Optankning
 - a) Personer, som skal foretage optankning, skal være kvalificerede og kende fabriksanvisningerne samt gældende regulativer for forsvarlig optankning af varmeapparater.
 - b) Man må kun benytte de typer brændstof, der foreskrives på varmekanonens specifikationskilt.
 - c) Al åben ild, herunder vågekone, dersom sådan forefindes, skal være slukket og varmekanonen kølet ned, inden den tankes op.
 - d) Ved optankning skal man efterse petroleumsrør og -samlinger for utætheder, og konstateres der nogen, skal de(n) udbedres, inden varmekanonen tændes igen.
 - e) Der må aldrig opbevares mere end en dags petroleumsforbrug indendørs eller i nærheden af varmekanonen. Lager-tanke skal være uden for bygningen.
 - f) Alle brændstoflagertanke (undtagen tanken på varmekanonen) skal være mindst 7,5 m fra varmeapparater, svejsebrændere, svejseværker og lignende antændelseskilder.
 - g) Brændstof skal så vidt muligt kun opbevares, hvor gulvty-pen forhindrer brændstof i at dryppe ned i og antændes på underliggende etager.
 - h) Brændstoflagertanke skal opfylde myndighedernes bestemmelser desangående.
- Benyt aldrig varmekanonen, hvor der kan forekomme benzin-, fortynder- eller andre brandfarlige dampe i luften.
- Varmekanonen må kun benyttes i henhold til gældende regulativer for sådanne.

- Dersom man agter at sætte varmekanonen i drift i nærhed af presenninger, teltduk og lignende, skal den placeres mindst 3 m fra sådanne. Det anbefales endvidere, at man kun benytter disse materialer i brandhæmmende kvalitet. Presenninger, teltduk o.lign. skal altid fæstnes forsvarligt, så de ikke antændes eller vælter varmekanonen pga. blæst eller vindstød.
- Varmekanonen må kun tages i drift i velventilerede områder. Der skal være mindst 2800 cm² åbning til fri luft pr. 30 kW (25.000kcal/t) i drift.
- Varmekanonen må aldrig bruges hvor der er brandfarlige dampe eller meget støv i luften.
- Varmekanonen må kun tilsluttes el med den type spænding og Hz, der opgives på specifikationskiltet.
- Der skal bruges jordet forlængerledning.
- Varmekanonen skal placeres i forsvarlig afstand af alt brandfarligt; der skal være mindst: -250 cm til stikkontakt; -125 cm frirum ovenover og på alle sider.
- Varmekanonen skal placeres på solidt, plant underlag, når den er varm eller i drift, pga. brandfaren.
- Varmekanonen skal holdes vandret under flytning og opbevaring, så der ikke spildes petroleum.
- Hold børn (og dyr) borte fra varmekanonen.
- Tag stikket ud af kontakten, når varmekanonen ikke er brugt.
- Med termostatstyring kan varmekanonen gå i gang når som helst.
- Varmekanonen må aldrig bruges i beboelse eller soverum.
- Luftindtaget (bag) og -afgangen (for) må aldrig blokeres.
- Varmekanonen må aldrig flyttes, håndteres, optankes eller repareres, mens den er varm, i gang og sat i stikkontakten.
- Der må aldrig tilsluttes luftkanaler for eller bag på varmekanonen.

UDSEENDE OG KOMPONENTER

(jf fig. 1 og 2, side 2)

A. Varmluftsafgang, **B.** Håndtag, **C.** Blæsergitter, **D.** Luftfilterdæksel, **E.** Påfyldningsdæksel, **F.** El-ledning, **G.** On/off kontaktmed lys, **H.** Sidedæksel, **I.** Tank, **L.** Underdel, **M.** Overdel, **N.** Motorstop kontrol reset.

UDPAKNING

1. Fjern al emballage fra varmekanonen.
2. Tag alle delene ud af kassen.
3. Efterse alle dele for forsendelseskader, og underret omgående forhandleren, som kanonen blev købt hos, dersom sådanne konstateres.

BRÆNDSTOF

ADVARSEL: Der må kun benyttes enten nr. 1 fuelolie i varmekanonen, så brand- og eksplosionsrisiko afværges. Der må aldrig påfyldes benzin, rensebenzin, fortynder, alkohol eller andre former for meget brandfarlige brændstoffer.

Der må ikke benyttes andre brændstoffer, såsom nr. 2 fuelolie eller nr. 2 dieselolie; disse tungere olier vil resultere i:

- stoppet brændstoffilter og dyse;
- tilsætning af ugiftig frosthæmmer i brændstoffet i meget koldt vejr;

VIGTIGT: Benyt en dunk, der er beregnet KUN TIL DIESEL, og sørg for at holde den ren; fremmedlegemer, såsom rust, skidt og vand, får fotocellen til at slukke for varmekanonen og kan foranledige, at man bliver nødt til at rense brændstofsyste-
met oftere end ellers.

SAMLING *-(Models 29 og 44 kW)-*

Disse modeller har hjul og håndtag, der tillige med monteringsbolte ligger løst i kassen.

Man skal bruge følgende værktøj

- Mellemstor stjerneskruetrækker.
 - CH 8 skrue- eller svensknøgle.
 - Hammer.
1. Stik akslen gennem understellet, og monter hjulene på akslen. **VIGTIGT:** Når hjulene monteres på akslen, skal den lange navside vende ind mod stellet (jf. fig. 3).
 2. Sæt »navkapslerne« på akselenderne, og bank let med hammeren til de sidder fast.
 3. Anbring varmekanonen på understellet med luftindtaget (bagenden) over hjulene. Ret hullerne på kraven rundt om tanken ind med hullerne i understellet.
 4. Anbring for- og baghåndtag oven på kraven rundt om tanken. Sæt boltene igennem håndtagene, tankkraven og understellet, og spænd møtrikken på med fingrene en ad gangen.
 5. Efter at alle boltene er sat i, skal de spændes godt fast.

(jf fig. 3, side 2)

A. Varmluftafgang, **B.** Bolt, **C.** Forhåndtag, **D.** Baghåndtag, **E.** Luftindtag, **F.** Lange navside, **G.** Aksel, **H.** Hjul, **I.** Møtrik, **L.** »Navkapsel«, **M.** Understel, **N.** Tankkrave.

VENTILERING

ADVARSEL: Der skal etableres udluftning til det fri mindst som foreskrevet herunder, ellers er der risiko for kulilteforgiftning. Etabler ventilering til friluft, inden varmekanonens sættes i drift.

Etabler en ventileringsåbning til fri luft på mindst 2800 cm² pr. 30 kW (25.000 kcal) i timen, der sættes i drift. Hvis flere varmekanoner tages i brug, bør man lave ekstra ventilering.

Eksempel: Til drift med en varmekanon på 43 kW (38.000 kcal/t) skal der én af følgende til:

- en dobbelt-garageport 5 m åbning hævet 9 cm
- en garageport 3 m åbning hævet 15 cm
- to vinduer på 76 cm hævet 28 cm

FUNKTIONSPRINCIP

Brændstof: Luftpumpen pumper luft igennem lufrøret og ud gennem dysen i brænderhovedet. Denne luftstrøm suger brændstof op fra tanken, der sprøjtes forstøvet ud i forbrændingskammeret.

Luft: Blæseren er elektromotordrevet og presser luft ind i og uden om forbrændingskammeret. Denne luftstrøm opvarmes og kommer ud gennem afgang som ren varm luft.

Tændningssystemet: den elektroniske tændningen skickar strømmen till tændstiftet. Tændstiftet tænder bränsle- og luftblandningen.

Fotocelle: Denne slukker varmekanonens, dersom flammen går ud.

(jf fig. 4, side 2)

A. Ren varm luftafgang, **B.** Forbrændingskammer, **C.** Tennplugg, **D.** Brennerhode, **E.** Blæservinge, **F.** Elektromotor, **G.** Luftpumpe, **H.** Luftfilter, indgang, **I.** Indgang, kold luft, **L.** Luftfilter, afgang, **M.** Elektronisk tænding, **N.** Luftledning til brænder, **O.** Brændstoffilter, **P.** Dyse, **Q.** Tank, **R.** Luft, brændstofsyste-
m, **S.** Luft, forbrænding og opvarmning, **T.** Petroleum.

BETJENING

ADVARSEL: Man skal læse og tilegne sig advarslerne i afsnittet om sikkerhed for at benytte varmekanoner på sikker måde. Overhold alle gældende regulativer vedr. brug af denne type varmeovn.

VARMEKANONEN STARTES

1. Etabler alle ventilerings- og sikkerhedsforanstaltninger.
2. Fyld tanken med nr. 1 fuelolie.
3. Sæt tankdækslet på igen.
4. Sæt el-ledningen til varmekanonens i en jordet stikkontakt (med normal 230 V, 50 Hz strøm). Man kan efter behov benytte forlængerledning, men altid en jordet forlængerledning med tre ben i stikkene.

FORLÆNGERLEDNINGSPESIFIKATION:

Ledninger op til 30 m lange skal have 1,0 mm² (16 AWG) tråde. Ledninger på 30-60 m skal have 1,5 mm² (14 AWG) tråde. Tænd for afbryderen (I) og varmekanonens bør starte i løbet af 5 sekunder. Hvis on/off lyset ikke tændes, eller hvis varmekanonens ikke starter, så se afsnittet om fejlfinding (side 3).

VARMEKANONEN SLUKKES

Sluk på afbryderen (OFF).

NULSTILLING AF VARMEKANON

1. Vent 2 minutter efter varmeapparatets standsning.
 2. Gentag trinnene under afsnittet "For at start varmeapparatet".
- A.** Motorstop kontrol reset, **B.** On/off kontakt med lys.

OPBEVARING, TRANSPORT OG FORSENDELSE

Bemærk: Til forsendelse skal tanke være tomme.

1. Tøm tanken.
Bemærk: Nogle modeller har aftapsprop i bunden af tanken. Hvis Deres varmekanon har det, tømmes tanken ved at tage den ud, ellers gøres det ved at suge brændstoffet op gennem påfyldningsstudsens. Sørg for tanken er helt tom.
 2. Skru bundproppen eller tankdækslet i igen.
 3. Hvis man konstaterer snavs i den aftappede petroleum, skal man hælde 1-2 l ren petroleum på tanken og aftappe den igen. Herved afværges, at dysen tilstoppes ved senere brug.
 4. Husk at sætte bundprop eller påfyldningsdæksel på igen. Gammel og snavs petroleum skal bortskaffes på lovlig vis.
 5. Hvis varmekanonens skal stå ubrugt hen, skal den opbevares et tørt sted, der er fri for støv og korroderende dunster.
- VIGTIGT:** Man skal ikke gemme petroleum sommeren over til brug i næste fyringssæson, fordi gammel petroleum kan skade varmekanonens.

FOREBYGGENDE VEDLIGEHOLDSPLAN

ADVARSEL: Man må aldrig reparere eller optanke, mens varmekanonen er sat i stikkontakten, i gang eller varm. Der er risiko for alvorlige forbrændinger og elektriske stød.

Komponent	Tidsinterval	Hvorledes
Tank	Skyl efter hver 150-200 timers drift, og når det er tiltrængt.	Jf. afsnit Opbevaring, transport og forsendelse, side 2.
Luftafgangs- og fnugfiltre	Udskift hver 500 timers drift eller årligt.	Jf. afsnit Luftindtags-, afgang- og fnugfiltre, side 4.
Luftindtagsfilter	Vask med sæbevand og tør det efter hver 500 timers drift, og når det er tiltrængt.	Jf. afsnit Luftindtags-, afgang- og fnugfiltre, side 4
Petroleumsfilter	Rens filteret to gange hver sæson, og når det er tiltrængt.	Jf. afsnit Petroleumsfilter, side 4
Tændrør	Rengør och ändra öppningen på tändstiftets elektroder var 600:de timmes användning och byt ut tändstiftet vid behov	
Blæservinge	Rengør hver sæson, og når det er tiltrængt.	Jf. afsnit Blæservinge, side 5
Elektromotor	Ingen vedligeholdelse — den er permanent smurt.	

FEJLFINDING

ADVARSEL: Man må aldrig reparere eller optanke, mens varmekanonen er sat i stikkontakten, i gang eller varm. Der er risiko for alvorlige forbrændinger og elektriske stød.

KONSTATETER FEJL	MULIG ÅRSAG	AFHJÆLPNING
Varmeapparatet tændes, men motorstop kontrollen slukker varmeapparatet efter kort tid.	<ol style="list-style-type: none"> 1. Fejlagtigt pumpetryk 2. Snavset luft udgang, luft indgang eller lintfilter. 3. Snavset brændstoffilter 4. Snavs i dysen 5. Snavsede fotocelle linser 6. Fejlagtig motorstop kontrol 	<ol style="list-style-type: none"> 1. Se Pumpetryk Indstillingen, side 4. 2. Se Luft Udgang, Luft Indgang og Lintfiltre, side 4 3. Se Brændstof Filter, side 4 4. Se Dyse, side 5 5. Rengør fotocelle linserne 6. Udskift motorstop kontrollen
Varmeapparatet tændes ikke, men motoren drejer i kort tid.	<ol style="list-style-type: none"> 1. Fejlagtigt pumpetryk 2. Kulstof belægninger på tændrøret og/ eller fejlagtigt spillerum 3. Snavset brændstoffilter 4. Snavs i dysen 5. Vand i brændstofbeholderen 6. Den elektroniske starter er ikke jordet (jordforbundet) 7. Fejlagtig elektronisk starter 	<ol style="list-style-type: none"> 1. Se Pumpetryk Indstillingen, side 4. 2. Se Tændrøret, side 4 3. Se Brændstoffilteret, side 4 4. Se Dysen, side 5 5. Tør og rens brændstofbeholderen med rent kerosen. Se Opbevaring, Transport og Forsendelse, side 2 6. Kontroller at den elektroniske starter er monteret korrekt. 7. Udskift den elektroniske starter
Motoren starter ikke når varmeapparatet er indkoblet, blæseren drejer langsomt eller slet ikke.	<ol style="list-style-type: none"> 1. Motorstop kontrol ikke genindstillet 2. Hård pumperotor 	<ol style="list-style-type: none"> 1. Genindstil motorstop kontrolknappen, se Figurer 5 og 6, side 2 2. Hvis blæseren er svær at dreje, se Pumpeotor, side 5

ADVARSEL: Højspænding!

REPARATION

ADVARSEL: Man må aldrig reparere eller optanke, mens varmekanonen er sat i stikkontakten, i gang eller varm. Der er risiko for svære forbrændinger og elektriske stød.

AFMONTERING AF OVERDEL

1. Tag skruer, der holder over- og underdel sammen, og låseskiver af på hver side af varmekanonen med en CH 8 topnøgle.
2. Tag overdelen af.
3. Tag blæsegitteret af.

PETROLEUMSFILTER**(Model 10 kW og 20 kW)**

1. Tag skruerne af sidedækslet med en CH 8 topnøgle.
2. Tag sidedækslet af.
3. Træk slangen af studs på petroleumsfilteret.
4. Lirk forsigtigt gummibøsning og filter fri af tanken.
5. Rens filteret med ren petroleum, og monter det i tanken igen.
6. Sæt slangen på filterstuds igen.
7. Skru sidedækslet på igen.

PETROLEUMSFILTER**(Models 29 kW og 44 kW)**

1. Tag skruerne af sidedækslet med en CH 8 topnøgle.
2. Tag sidedækslet af.
3. Træk slangen af studs oven i petroleumsfilteret.
4. Lirk forsigtigt gummibøsning og filter med slange neden i fri af tanken.
5. Rens filteret med ren petroleum, og monter det i tanken igen.
6. Sæt slangen på studs oven i filteret igen.
7. Skru sidedækslet på igen.

(jf fig. 7 og 8, side 2)**A.** Overdel, **B.** Blæsegitter.**(jf fig. 9, side 2)****A.** Petroleumsfilter, **B.** Sidedæksel, **C.** Slange**(jf fig. 10, side 2)****A.** Petroleumsfilter, bøsning og nedre slange, **B.** Øvre slange, **C.** Sidedæksel.**TÆNDRØR****(10 kW Model)**

1. Fjern det øverste hylster.
2. Fjern blæseren (se side 9).
3. Fjern brændstof- og luftslangeledningerne fra dysesamlingen.
4. Fjern tændrørledningen fra tændrørret.
5. Fjern to skruer ved brug af en 5/16" topnøgle og fjern brænderstropen.
6. Stil tændrørrets sekskantet del i skruestikket og stram.
7. Fjern tændrørrets fastspændingsmøtrik ved brug af en 11/16" gaffelnøgle.
8. Fjern brænderstropen fra tændrørret.
9. Rengør og juster tændrørrets elektroder til et 1.4 mm (.055") spillerum.
10. Udskift brænderstropen på tændrørret. Drej brænderstropen til positionen af tændrør elektroder (se Figur 13).
11. Stram tændrørret med tændrørrets fastspændingsmøtrik.
12. Frakobl tændrørrets sekskantet del fra skruestikket.
13. Udskift brænderstropen på forbrændingskammeret.
14. Fastsæt tændrørrets ledning til tændrørret.
15. Fastsæt brændstof- og luftslangeledningerne til dysesamlingen.
16. Udskift blæseren (se side 5).
17. Udskift blæser skærmen og det øverste hylster.

(jf fig. 11, side 2)**A.** Forbrændingskammer, **B.** Tændrørrets fastspændingsmøtrik **C.** Brænderstrop, **D.** Tændrør, **E.** Tændrørledning, **F.** Dyses mling, **G.** Brændstofsangeledning, **H.** Luftslangeledning**(jf fig. 12, side 3)****A.** Bøj her for at justere spillerummet**(jf fig. 13, side 3)****A.** Brænderstrop**TÆNDRØR****(20/29/44 kW Models)**

1. Fjern det øverste hylster.
2. Fjern blæseren (se side 5).
3. Fjern tændrørledningen fra tændrørret.
4. Fjern tændrørret fra brændkammerhovedet ved brug af en 13/16" gaffelnøgle.
5. Rengør og juster tændrørrets elektroder som følger: 70/100,000 Btu/Hr Models: 1.9 mm (.075«) spillerum 150,000 Btu/Hr Model: 2.8 mm (0.110«) spillerum
6. Installer tændrørret på brænderkammerhovedet.
7. Tilslut tændrørledningen til tændrørret.
8. Udskift blæseren (se side 5).
9. Udskift blæser skærmen og det øverste hylster.

(jf fig. 14, side 3)**A.** Brændkammerhoved, **B.** Tændrørledning, **C.** Tændrør**(jf fig. 15, side 3)****A.** Bøj her for at justere spillerummet**LUFTINDTAGS-, AFGANGS- OG FNUGFILTRE**

1. Tag overdelen af, (jf. fig. 7-8).
2. Tag filterdækselskrue af med en CH 8 skruenøgle.
3. Tag filterdækslet af.
4. Udskift luftafgangs- og fnugfiltrene.
5. Vask eller udskift indtagsfilteret (jf. afsnit Forebyggendevedligeholdelsesplan, side 2).
6. Genmonter filter og filterdæksel.
7. Sæt blæsegitter og overdel på igen.

VIGTIGT: Filtrene må ikke olieres.**PUMPETRYK, JUSTERING**

1. Tag manometerprop og plasthætte (kun model 10 kW og 20 kW) af filterdækslet.
2. Monter manometret (ekstraudstyr, rsd.nr. 4109.427).
3. Start varmekanonen, jf. afsnit *Betjening*, side 2, og vent til elmotoren er på fulde omdrejninger.
4. Trykket justeres ved at dreje overtryksventilen; højre om øger trykket, venstre om reducerer trykket. I tabellen ved siden af anføres korrekt tryk efter model.
5. Afmonter manometret, og sæt manometerprop og plasthætte (kun model 10 kW og 20 kW) på filterdækslet igen.

(jf fig. 16 og 17, side 3)**A.** Luftindtagsfilter, **B.** Filterdæksel, **C.** Blæsegitter, **D.** Luftafgangsfilter, **E.** Fnugfilter.

Model	Pumpetryk (Bar/PSI)
10 kW	0,207 / 3
20 kW	0,365 / 5,3
29 kW	0,275 / 4
44 kW	0,337 / 4,9

(jf fig. 18, side 3)

A. Manometerprop, B. Overtryksventil, C. Plasthætte

(jf fig. 19, side 3)

A. Manometer

DYSE -(10 kW Model)-

1. Fjern overdelen.
2. Fjern blæservingen.
3. Fjern petroleums- og luftslangerne fra dysen (jf. Fig. 17, 18 og 19).
4. Drej dyseenheden 1/4 gang venstre om og tag den af ved at trække ud i retningen af motoren (jf. fig. 20).
5. Sæt plasthovedet i skruestikken og stram let til.
6. Fjern forsigtigt dysen fra dysebøsningen vha. en CH 16 topnøgle (se fig. 21).
7. Blæs trykluft gennem dysen. Dette vil frigøre eventuel snavs i dyseområdet.
8. Undersøg dysepakning for beskadigelse.
9. Anbring dysen i dysebøsningen, så den sidder på plads. Spænd 1/3 omgang mere vha. en 5/8" topnøgle til et moment på mellem 4,5 og 5,1 Nm. Se figur 21.
10. Fastgør dysebøsningen til brænderremmen.
11. Fastgør petroleums- og luftslangerne til dysebøsningen. Se Aftagning af luft- og petroleumsslanger og ledningsføring.
12. Sæt blæservingen på igen (jf. fig. 27-28).
13. Sæt blæsergitteret og overdelen på plads (jf. fig. 7-8).

(jf fig. 20 og 21, side 3)

A. Forbrændingskammer, B. Dyse/bøsning, C. Petroleums-slange, D. Luftslange, E. Fotocelleholder, F. Dyseholder

(jf fig. 22, side 3)

A. Dyse, indsprøjtningsside, B. Dysepakning, C. Petroleumsslange, D. Luftslange, E. Dysebøsning, F. Dyse

DYSE -(20/29/44 kW Model)-

1. Fjern det øverste hylster.
2. Fjern blæseren.
3. Fjern brændstof- og luftslangeledningerne fra brændkammerhovedet.
4. Fjern tændrørledningen fra tændrøret.
5. Fjern tændrøret fra brændkammerhovedet ved brug af 13/16" gaffelnøglen.
6. Fjern tre skruer ved brug af en 5/16" topnøgle og fjern hovedet fra brændkammeret.
7. Stil brændkammerhovedet i skruestikket og stram let.
8. Fjern forsigtigt dysen fra brændkammerhovedet ved brug af en 5/8" topnøgle (se Figur 24).
9. Blæs trykluft foran dysen. Det befrier dyseområdet for snavs.
10. Kontroller dysetætningen for eventuelle skader.
11. Udskift dysen i brændkammerhovedet og stram fast (tilspændingsmoment 9.1-12.4 n-m/80-110 tommer-pund).
12. Fastspænd hovedet til brændkammeret.
13. Installer tændrøret i brændkammerhovedet.
14. Tilslut tændrørledningen til tændrøret.
15. Tilslut brændstof- og luftslangeledningerne til brændkammerhovedet.
16. Udskift blæseren (se side 5).
17. Udskift blæser skærmen og det øverste hylster.

(jf fig. 23, side 3)

A. Forbrændingskammer, B. Dyse/bøsning, C. Dyse/bøsning, D. Fotocelleholder, E. Luftslange, F. Dyseholder

(jf fig. 24, side 3)

A. Forbrændingskammer, B. Dyse/bøsning, C. Dyse/bøsning, D. Luftslange, E. Fotocelleholder, F. Dyseholder

PUMPEROTOR

(Fremgangsmåde, ifald rotoren binder)

1. Tag overdelen af, (jf. fig. 7-8).
2. Tag filterdækselskrueerne af med en CH 8 topnøgle.
3. Tag filterdæksel af og filtre ud.
4. Tag pumpedækselskrueerne ud med en CH 8 topnøgle.
5. Tag pumpedækslet af.
6. Tag rotor og -vinger samt koblingsstiften af motorakslen.
7. Se pumpehuset efter for snavs, og blæs det rent med trykluft.
8. Genmonter koblingsstift og rotor.
9. Mål rotorfrigangen, der skal være 0,076-0,101 mm med søgerblad; juster som tiltrængt, jf. fig. 25.
Bemærk: Drej rotoren en hel omgang, så frigangen er 0,076-0,101 mm hele vejen rundt; juster som tiltrængt.
10. Genmonter rotorvinger, pumpedæksel, luftfiltre og -dæksel.
11. Sæt blæsergitteret og overdel på igen.
12. Juster pumpetrykket, jf. side 4.
Bemærk: Gå frem på følgende måde, hvis rotoren herefter stadig binder.
13. Udfør pkt. 1-6 herover.
14. Fæst et stykke sandpapir (finhed nr. 600) på et plant underlag, og slib rotoren let på det; før den i et ottetal, som vist på fig. 26, fire gange.
15. Genmonter koblingsstift og rotor.
16. Udfør pkt. 10-12 herover.

(jf fig. 25 og 26, side 3)

A. Rotorvinge, B. Pumpe-dæksel, C. Luftindta-gsfilter, D. Luftfilter-dæksel, E. Blæsergitter, F. Luftafgan-gsfilter, G. Rotor, H. Koblingsstift

(jf fig. 27, side 3)

A. Frigang, justerskrue, B. Frigang: 0,076-0,101 mm målt med søgerblad, C. Rotorvinge

(jf fig. 27, side 3)

A. Sandpapir

(jf fig. 27, side 3)

A. Sandpapir

BLÆSERVINGE

VIGTIGT: Blæservingen skal tages af el-motorakslen forud for afmontering af el-motoren, fordi motorens vægt kan beskadige vingerens vinkel, dersom man lægger motoren, så den hviler på vingerne.

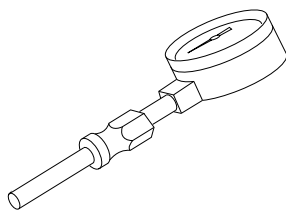
1. Tag overdelen af, jf. fig. 7-8.
2. Blæservingen holdes på akslen af en unbrakoskrue, der løsnes med en 2,5 mm unbrakonøgle.
3. Skyd blæservingen af akslen.
4. Gør blæservingen ren med en blød klud vædet med petroleum eller opløsningsmiddel.
5. Tør blæservingen grundigt.
6. Sæt blæservingen på akslen igen, og ret navkanten ind med akselenden, jf. fig. 28.
7. Unbrakoskruen skal spænde mod den flade kant på akslen med et moment på 4,5-5,6 Nm.
8. Sæt blæsergitteret og overdelen på igen.

(jf fig. 25 og 26, side 3)

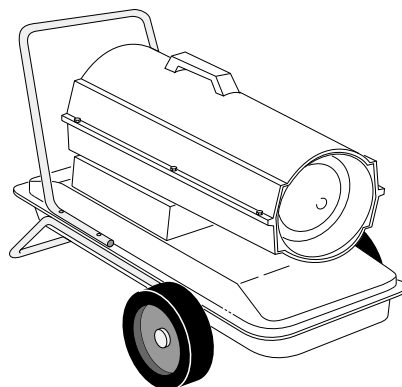
A. Blæservinge, B. El-motoraksel, C. Unbrakoskrue, D. Akselende og navkant rettes lige ind.

TILBEHØR

Tilbehør fås hos nærmeste forhandler.

**MANOMETER -rsd. nr.4109.427**

Kan bruges til samtlige modeller til måling af pumpetryk.

**ROBUSTE HJUL OG HÅNDTAG - rsd.nr.
4103.925**

Kan bruges overalt, og gør varmekanonnen lettere at flytte.
Til model 10 kW og 20 kW.

GARANTI

GARANTI Et års garanti

DESA Italia garanterer nye varer, det sælger, mod materiale- og fabriktionsfejl i et år efter levering til detailforbrugeren under følgende betingelser:

DESA Italia forpligtelser og ansvar iht. denne garanti er udtrykkeligt begrænset til, efter DESA Italia skøn, reparation eller ombytning af enhver del, der ved eftersyn forekommer DESA Italia at have materiale- og fabriktionsfejl ved afsendelse fra fabrikken. Sådanne dele leveres gratis til forbrugeren på fabriksautoriseret servicecenter eller på fabrikken i normalåbningstid. Garantien gælder ikke komponenter og tilbehør, der ikke er fremstillet hos DESA Italia, og omfattes af underleverandørens garanti, ej heller normal vedligeholdelse (såsom trykjustering) eller normale vedligeholdelsesdele (såsom filtre og tændrør). Ombytnings- eller reparationsdele, der monteres på produktet under denne garanti, garanteres kun for den resterende del af garantiperioden som om disse dele var dele af det oprindeligt købte produkt. DESA ITALIA GIVER IKKE ANDEN UDTRYKkelig GARANTI. I HENHOLD TIL GÆLDENDE LOV GIVER DESA ITALIA INGEN UNDERFORSTÅET GARANTI OG GARANTERER IKKE SALGBARHED OG EGNETHED TIL GIVNE FORMÅL. I ALLE TILFÆLDE ER UNDERFORSTÅET GARANTI, HERUNDER GARANTI FOR SALGBARHED

OG EGNETHED TIL GIVNE FORMÅL, BEGRÆNSET TIL DEN PERIODE, DEN UDTRYKkelig GARANTI GÆLDER.

Al forsendelsesomkostning, installationsomkostning, told, skat og alle andre omkostninger påhviler forbrugeren. DESA Italia påtager sig under denne garanti intet ansvar for direkte, indirekte eller tilfældige skader, følgeskader eller forsinkelser. Produkter og dele, for hvilke der gøres garantikrav gældende, skal efter DESA Italia anmodning returneres til fabrikken for forbrugeren regning. Garantien annulleres, dersom DESA Italia finder, at varen er benyttet ukorrekt, herunder drift efter at defekte eller slidte dele er konstateret, drift ud over normal kapacitet, udskiftning med dele, der ikke er godkendt af DESA Italia, eller ændringer og reparationer foretaget af andre, der efter DESA Italia skøn påvirker varen substantielt og uheldigt.

HVERKEN ANSATTE ELLER REPRÆSENTANTER HARAUTORISERING TIL AT ÆNDRE DENNE GARANTI PÅ NOGEN MÅDE ELLER UDSTEDE ANDEN GARANTI, MEDMINDRE SÅDAN ER GIVET SKRIFTLIGT OG BÆRER EN DIREKTØRS UNDERSKRIFT FRA DESA ITALIA HOVED-KVARTER.

GARANTISERVICE

Model og serienummer bør altid opgives ved henvendelse til fabrikken.

Vi forbeholder os ret til at ændre specifikationer uden varsel. Vor skriftlige standardgaranti er den eneste gældende garanti. Vi giver ingen anden, hverken udtrykkelig eller underforstået, garanti.

Reparationshåndbøger fås ved skriftlig henvendelse til Technical Services Department på følgende adresse:

TRANSPORTABLE VARMEAPPARATER MED VIFTE

BRUKERHÅNDBOK

VIKTIG: Sett deg grundig inn i informasjonen i denne håndboken før du monterer, starter eller utfører service på varmeapparatet. Ta vare på håndboken og bruk den som oppslagsbok i framtiden.

INFORMASJON OM SIKKERHET

ADVARSLER

VIKTIG: Sett deg grundig inn i informasjonen i denne håndboken før du gjør forsøk på å montere, bruke eller utføre service på dette varmeapparatet. Feil bruk av dette varmeapparatet kan føre til alvorlig personskade som resultat av brannskader, brann, eksplosjon, elektrisk støt eller karbonmonoksidforgiftning.

 **FARE: Karbonmonoksidforgiftning kan være dødelig!**

Karbonmonoksidforgiftning: På et tidlig stadium ligner symptomene på karbonmonoksidforgiftning på influensa, med hodepine, svimmelhet og/eller kvalme. Hvis du merker disse symptomene, er det mulig at varmeapparatet ikke virker som det skal. **Sørg for frisk luft øyeblikkelig!** Send varmeapparatet til service. Enkelte mennesker påvirkes mer av karbonmonoksid enn andre, f.eks. gravide kvinner, personer med hjerte- eller lungesykdommer eller blodmangel, personer under påvirkning av alkohol og personer som befinner seg i områder som ligger høyt over havet.

Sett deg grundig inn i advarslene. Ta vare på denne håndboken og bruk den som oppslagsbok i framtiden. Den inneholder opplysninger om hvordan du bruker varmeapparatet på en sikker og forsvarlig måte.

- Bruk kun parafin eller fyringsolje nr. 1 for å unngå brann- eller eksplosjonsfare. Bruk aldri bensin, nafta, malingsfortynner, sprit eller liknende væsker med lavt flammepunkt som brennstoff.
- Fylling av brennstoff
 - a) Personer som fyller brennstoff må være kvalifiserte og ha grundig kjennskap til instruksjonene fra produsenten, samt aktuelle retningslinjer for påfylling av brennstoff i varmeapparater.
 - b) Bruk kun brennstofftype som anvist på varmeapparatets informasjonsskilt.
 - c) Alle flammer, inkludert pilotlyset, skal være slukket og varmeapparatet avkjølt før det fylles på brennstoff.
 - d) Under påfylling av brennstoff skal alle brennstoffslanger og -kabler kontrolleres for lekkasjer. Eventuelle lekkasjer skal repareres før varmeapparatet tas i bruk igjen.
 - e) Det må aldri oppbevares mer enn en dagsforsyning brennstoff i nærheten av varmeapparatet inne i en bygning. Store kvanta skal oppbevares utenfor bygningen.
 - f) Brennstoff skal oppbevares minst 7,5 m borte fra varmeapparater, åpen ild, sveiseutstyr og andre lett antennelige kilder (unntak: den innebygde brennstoffbeholderen i varmeapparatet).
 - g) Om mulig skal brennstoff kun oppbevares på steder der væsken ikke kan trenge gjennom gulvet eller bli antent av en brann i underetasjene.
 - h) Brennstoff skal oppbevares i henhold til gjeldende regler.
- Bruk aldri varmeapparatet i nærheten av bensin, malings-

fortynner eller liknende væsker som avgir svært brennbare gasser.

- Følg alle lokale vedtekter og forskrifter ved bruk av varmeapparatet.
- Dersom varmeapparatet brukes i nærheten av presenning, seilduk eller liknende omsluttende materiale, må det holdes på forsvarlig avstand fra disse materialene. Det anbefales en avstand på minst 3 m. Det anbefales videre at disse er laget av brannsikkert materiale. Slike omsluttende materialer skal festes godt, slik at man unngår at de kommer i kontakt med varmeapparatet og antennes eller at vinden blåser varmeapparatet overende.
- Varmeapparatet skal kun brukes på godt ventilerte steder. Før bruk må du sørge for at det finnes en åpning med frisk luft på minst 2800 cm² for hver 100 000 BTU/hr av apparatets kapasitet.
- Varmeapparatet skal kun brukes på steder der det ikke finnes brennbare gasser eller mye støv.
- Bruk kun elektrisk spenning og frekvens som angitt på modellskiltet.
- Bruk kun en trepolet, jordet skjøteledning.
- Minimumsavstand fra brennbare stoffer: Foran luftutblåsningsrøret: 2,5 m; På siden av, over eller bak varmeapparatet: 1,25 m
- Sett varmeapparatet på en stabil, jevn overflate mens det er varmt eller i bruk. Dette kan forhindre brann.
- Når varmeapparatet skal flyttes eller oppbevares, må det fraktes i horisontal stilling for å unngå å søle brennstoff.
- Barn og dyr må holdes borte fra varmeapparatet.
- Ta ut stikkkontakten når varmeapparatet ikke er i bruk.
- Ved bruk av termostat kan varmeapparatet starte når som helst.
- Varmeapparatet må aldri brukes på steder der man sover eller oppholder seg til daglig.
- Sørg for at luftinntaket (bak) og luftutblåsningsrøret (foran) på varmeapparatet ikke er blokkert.
- Varmeapparatet må aldri flyttes, håndteres, fylles med brennstoff eller utføres service på dersom det er varmt, i bruk eller kontakten står i.
- Det må aldri monteres rørrørretninger foran eller bak på varmeapparatet.

PRODUKTBEKRIVELSE

(se figur 1 eller 2, side 2)

A. Utblåsningsrør for varmluft, **B.** Håndtak, **C.** Vifteskjerm, **D.** Deksel på filterhuset, **E.** Løkk til brennstofftanken, **F.** Strømkabel, **G.** AV/PÅ-brytermed lampe, **H.** Sidedeksel, **I.** Brennstofftank, **L.** Nedre deksel, **M.** Øvre deksel, **N.** Flammeslukningskontroll.

UTPAKKING

1. Fjern all forsendelsesemballasje.
2. Ta alle delene ut av esken.
3. Kontroller at ingen deler ble skadet under forsendelsen. Dersom varmeapparatet er skadet, må du øyeblikkelig ta kontakt med stedet der du kjøpte det.

BRENNSTOFF

ADVARSEL: Bruk kun parafin eller fyringsolje nr.1 for å unngå brann- eller eksplosjonsfare. Bruk aldri bensin, nafta, malingsfortynner, sprit eller liknende væsker med lavt flammepunkt som brennstoff.

Bruk aldri tunge brennstoff som fyringsolje nr. 2 eller diesel nr. 2. Bruk av tungt brennstoff fører til følgende:

- Brennstoffiltret og dysen tetter seg;
- Du må bruke et ikke-giftig frostmiddel i brennstoffet ved svært lave temperaturer;

VIKTIG: Bruk en beholder som kun brukes til parafin. Pass på at beholderen er ren. Fremmedlegemer som rust, skitt eller vann vil gjøre at varmeapparatet slås av med flammekontrollen. Fremmedlegemer gjør det dessuten nødvendig å rengjøre brennstoffsystemet oftere.

MONTERING *-(kun modellene 29 og 44 kW)-*

Disse modellene er utstyrt med hjul og håndtak. Hjul, håndtak og deler finnes i esken.

Du trenger følgende verktøy:

- Middels stort skrujern.
 - CH 8 tommer fastnøkkel eller justerbar skiftenøkkel.
 - Hammer.
1. Før akselen gjennom hjulrammen. Monter hjulene til akselen. **VIKTIG:** Monter hjulene med den forlengede siden av navet mot hjulrammen (se figur 3).
 2. Sett kapselmutterne på akselendene og fest dem ved hjelp av et par lette hammerslag.
 3. Sett varmeapparatet på hjulrammen. Pass på at luftinntaket (bak) på varmeapparatet er over hjulene. Rett inn monteringshullene på flensen på brennstofftanken slik at de passer med hullene i hjulrammen.
 4. Sett fremre og bakre håndtak på flensen på brennstofftanken. Sett i skruene gjennom håndtakene, flensen på brennstofftanken og hjulrammen. Fest skruen ved å trekke mutteren til med fingrene før neste skrue settes i.
 5. Etter at alle skruene er satt i, trekkes de ordentlig til.

(se figur 3, side 2)

A. Utblåsningsrør for varmluft, **B.** Skrue, **C.** Fremre håndtak, **D.** Bakrehåndtak, **E.** Luftinntak, **F.** Forlenget nav, **G.** Aksel, **H.** Hjul, **I.** Mutter, **L.** Kapselmutter, **M.** Hjulramme, **N.** Flens på brennstofftanken.

VENTILASJON

ADVARSEL: Følg minstekravene til frisk ventilasjon utenfra. Hvis man ikke har tilgang til tilstrekkelig frisk ventilasjon utenfra, kan det føre til karbonmonoksidforgiftning. Sørg for tilstrekkelig frisk ventilasjon utenfra før varmeapparatet tas i bruk.

Sørg for en åpning med frisk luft på minst 2800 cm² for hver 100 000 BTU/hr av apparatets kapasitet. Sørg for mer frisk luft dersom det brukes flere varmeapparater.

Eksempel: Et varmeapparat på 150 000 Btu/hr krever ett av følgende:

- en dobbel garasjeport 5 meter åpning som er hevet 9 cm.
- en enkel garasjeport 3 meter åpning som er hevet 15 cm.
- to vinduer på 76 cm med en åpning på 28 cm.

SLIK FUNGERER VARMEAPPARATET

Brennstoffsystemet: Luftpumpen driver luft gjennom lufttrøret. Deretter drives luften gjennom brennerdysen. Luftstrømmen

får brennstoffet til å stige opp fra brennstofftanken og gjennom dysen slik at det sprayer en lett sky av brennstoff inn i forbrenningskammeret.

Luftsystemet: Motoren driver viften. Viften driver luft inn i og gjennom forbrenningskammeret. Denne luften er oppvarmet og gir en ren, varm luftstrøm.

Tenningsystemet: Den elektroniske tenntensoren leverer høyspenning til tennpluggen. Tennpuggens gnist antenner blandingen av brennstoff og luft.

Kontrollsystemet ved slokking av flammen: Dette systemet gjør at varmeapparatet slås av dersom flammen slukkes.

(se figur 4, side 2)

A. Ren, oppvarmet utgåendeluft strøm, **B.** Forbrenningskammer, **C.** Tennplugg, **D.** Brennertoppstamme, **E.** Vifte, **F.** Motor, **G.** Luftpumpe, **H.** Primærfilter, **I.** Kald, inngående luftstrøm, **L.** Sekundærfilter, **M.** Tennspole, **N.** Lufttilførseltil brenner, **O.** Brennstoffilter, **P.** Dyse, **Q.** Brennstofftank, **R.** Luft til brennstoffsystem, **S.** Luft til forbrenning og oppvarming, **T.** Brennstoff.

BRUK

ADVARSEL: Sett deg grundig inn i advarslene i avsnittet om sikkerhet. Dette er nødvendig for å kunne bruke varmeapparatet på en forsvarlig måte.

SLIK SLÅR DU PÅ VARMEAPPARATET

1. Sørg for å følge all informasjon om ventilasjon og sikkerhet.
2. Fyll brennstofftanken med parafin eller fyringsolje nr. 1.
3. Sett lokket på brennstofftanken.
4. Sett ledningsstøpslet på varmeapparatet i en standard, 230 volts/50 hertz jordet stikkontakt. Bruk skjøteledning om nødvendig. Bruk kun en trepolet, jordet skjøteledning.

KRAV TIL SKJØTELEDNINGEN:

For skjøteledninger på inntil 30 meter, kreves det en ledningsdiameter på 1 mm² (16 AWG) leder.

For skjøteledninger på mellom 30 og 60 meter, kreves det en ledningsdiameter på 1,5 mm² (14 AWG).

Trykk ON/OFF-knappen i stillingen ON, så bør varmekanonen starte. Dersom varmekanonen ikke starter trykker man på flammeslukningskontrollens nullstilling (se figuren 5 og 6)

SLIK SLÅR DU AV VARMEAPPARATET

Slå av (OFF) AV/PÅ-bryteren.

SLIK TILBAKESTILLER DU VARMEAPPARATET:

1. Vent 2 minutter etter at varmekanonen er stanses.
2. Gjenta trinnene beskrevet under Oppstart av varmekanonen.

(se figur 5 eller 6, side 2)

A. Nullstill Flammeslukningskontroller, **B.** AV/PÅ-bryter med lampe

OPPBEVARING, TRANSPORT OG
FORSENDELSE

Merk: Gjør følgende hvis transportøren krever at brennstofftanken tømmes

1. Tøm brennstofftanken. **Merk:** Enkelte modeller er utstyrt med en dreneringsplugg under brennstofftanken. Hvis dette er tilfellet på modellen din, tar du ut pluggen og lar brennstoffet renne ut. Hvis varmeapparatet ikke er utstyrt med dreneringsplugg, må du tømme ut brennstoffet gjennom åpningen på brennstofftanken. Pass på at tanken tømmes helt.
2. Sett eventuelt i dreneringspluggen igjen.
3. Hvis det finnes urenheter i det gamle brennstoffet, fyller du på

- litt ren parafin i tanken, rister godt og tømmer tanken igjen. Dermed unngår du at urenheter tetter filterne i framtiden.
4. Sett i dreneringspluggen eller lokket til brennstofftanken. Gammelt, urent brennstoff må avhendes på forsvarlig måte. Ta kontakt med lokale verksted som driver med resirkulering av olje.
5. Varmeapparatet skal eventuelt oppbevares på et tørt sted som er fritt for støv og korroderende gasser.

VIKTIG: Parafin må ikke oppbevares over sommeren for å kunne brukes neste sesong. Gammelt brennstoff kan skade varmeapparatet.

FOREBYGGENDE VEDLIKEHOLDSPLAN

ADVARSEL: Det må aldri utføres service på varmeapparatet mens det er koplet til strømmettet, eller mens det er i bruk eller varmt. Dette kan føre til alvorlige brannskader eller elektrisk støt.

Komponent	Hvor ofte	Hvordan
Brennstofftank	Skylles etter 150-200 timers drift eller ved behov.	Se <i>Oppbevaring, transport og forsendelse</i> .
Sekundærfilter og lofilter	Skiftes etter 500 timers drift eller en gang i året	Se <i>Primærfilter, sekundærfilter og lofilter</i> , side 4.
Primærfilter	Vaskes og tørkes med såpe og vann etter 500 timers drift eller ved behov	Se <i>Primærfilter, sekundærfilter og lofilter</i> , side 4.
Brennstofffilter	Rengjøres to ganger i sesongen eller ved behov	Se <i>Brennstofffilter</i> , side 4
Tennplugg	Rengjør og juster åpningen hver 600 timers drift eller skift dersom nødvendig	Se <i>Tennplugg</i> , side 4
Vifteblader	Rengjøres hver sesong eller ved behov	Se <i>Vifte</i> , side 5
Motor	Ikke nødvendig/har permanent smøring	

PROBLEMLØSING

ADVARSEL: Det må aldri utføres service på varmeapparatet mens det er plagget til en stikkontakt, eller mens det er i bruk eller varmt. Dette kan føre til alvorlige brannskader eller elektrisk støt.

FEIL	MULIG ÅRSAK	LØSNING
Varmekanonen slås på men flammeslukningskontrollen slår den av etter en kort stund.	<ol style="list-style-type: none"> 1. Feil pumpetrykk 2. Skitt i luftutførsel, luftinntak, og lo-filter. 3. Skitt i drivstoff-filter 4. Skitt i dysen 5. Skitten linse på fotocellen 6. Feil på flammeslukningskontrollen 	<ol style="list-style-type: none"> 1. Se <i>Justering av pumpetrykket</i>, side 4. 2. Se <i>Luftutførsel, luftinntak og lo-filter</i>, side 4 3. Se drivstoff-filter, side 4 4. Se <i>Dyse</i>, side 5 5. Gjør ren linsen på fotocellen 6. Bytt ut flammeslukningskontrollen
Varmekanonen vil ikke slå seg på, men motoren kommer i gang en kort stund.	<ol style="list-style-type: none"> 1. Feil pumpetrykk 2. Kull bygges opp på tennpluggen og/eller i sprekker 3. Skittent drivstoff-filter 4. Skitt i dysen 5. Vann i drivstofftanken 	<ol style="list-style-type: none"> 1. Se <i>Justering av pumpetrykket</i>, side 4 2. Se <i>Tennplugg</i>, side 4 3. Se drivstoff-filter, side 4 4. Se <i>Dyse</i>, side 5 5. Tøm og skyll ut drivstofftanken med ren parafin Se <i>Lagring, transport eller forsendelse</i>, side 2
ADVARSEL: Høyspenning!		
	<ol style="list-style-type: none"> 6. Den elektroniske gnistlighteren er ikke jordet 7. Defekt gnistlifter 	<ol style="list-style-type: none"> 6. Forsikre deg om at den elektroniske gnistlighteren er fastskrudd 7. Bytt ut gnistlighteren
Motoren starter ikke når varmeelementet er tilkoplet, viften roterer langsomt eller går ikke rundt.	<ol style="list-style-type: none"> 1. Flammeslukningskontrollen er ikke nullstilt 2. Pumperotor bundet 	<ol style="list-style-type: none"> 1. Nullstill flammeslukningskontrollen, se figurene 5 og 6, side 2 2. Dersom viften har problemer med å dreie rundt, se <i>Pumperotor</i>, side 4

SERVICEPROSEDYRER

ADVARSEL: Det må aldri utføres service på varmeapparatet mens det er koplet til strømmettet, eller mens det er i bruk eller varmt. Dette kan føre til alvorlige brannskader og elektrisk støt.

FJERNING AV DETØVRE DEKSLET

1. Fjern skruene og låseskivene på hver side av varmeapparatet ved hjelp av en CH 18- tommer pipe. Disse skruene holder øvre og nedre deksel sammen.
2. Løft av det øvre dekslet.
3. Ta av vifteskjermen.

BRENNSTOFFILTER

(Modellene 10 kW og 20 kW)

1. Fjern skruene på sidedekslet ved hjelp av en CH 8 tommer pipe.
2. Ta av sidedekslet.
3. Trekk brennstoffslangen av brennstoffiltret.
4. Lirk bøsning og brennstoffilter forsiktig ut av brennstofftanken.
5. Rengjør brennstoffiltret med rent brennstoff, og sett det tilbake i tanken.
6. Fest brennstoffslangen til brennstoffiltret.
7. Sett på sidedekslet.

BRENNSTOFFILTER

(Modellene 29 kW og 44 kW)

1. Fjern skruene på sidedekslet ved hjelp av en CH 8 tommer pipe.
2. Ta av sidedekslet.
3. Trekk den øvre brennstoffslangen av brennstoffiltret.
4. Lirk bøsning, nedre brennstoffslange og brennstoffilter forsiktig ut av brennstofftanken.
5. Rengjør brennstoffiltret med rent brennstoff, og sett det tilbake i tanken.
6. Fest øvre brennstoffslange til brennstoffiltret.
7. Sett på sidedekslet.

(se figur 7 eller 8, side 2)

A. Øvre deksel, B. Vifteskjerm

(se figur 9, side 2)

A. Brennstoffilter, B. Sidedeksel, C. Brennstoffslange

(se figur 10, side 2)

A. Brennstoffilter, B. Sidedeksel, C. Brennstoffslange

TENNPLUGG -(Modellene 10 kW)-

1. Ta av det øvre dekslet og vifteskjermen (se figur 7-8).
2. Ta ut viften (slå opp på side 5).
3. Skru ut de 4 skruene på sidedekslet ved hjelp av en CH 8 tommer pipe og ta av sidedekslet (se figur 9 eller 10)
4. Kople tennkablene (7+8) fra tennspolen (se figur 11). Trekk tennkablene opp gjennom hullet i det nedre dekslet.
5. Kople fra brennstoffslangen og luftslangen. Ta fotocellen ut av braketten (se figur 11).
6. Ta ut forbrenningskammeret. Still forbrenningskammeret på siden med braketten til dyseadapteren øverst (se figur 12).
7. Skru ut tennpluggskruen ved hjelp av en CH 5,5 tommer pipe. Fjern tennpluggen forsiktig fra braketten til dyseadapteren.
8. Ta reservetennpluggen forsiktig ut av isoporpakningen.
9. Sett varsomt tennpluggen inn i åpningen på braketten til dyseadapteren. Tennpluggedelementet må ikke utsettes for støt. Fest tennpluggen til dyseadapteren med en skrue ved hjelp av en 1/4-tommer pipe (se figur 12). Trekk til 0,90 til 1,69 Nm. Pass på å ikke trekke til for mye.
10. Sett forbrenningskammeret tilbake på plass.
11. Før tennkablene tilbake gjennom hullet i det nedre dekslet. Kople kablene til tennspolen.
12. Sett sidedekslet på plass (se figur 9 eller 10).
13. Kople til og før brennstoffslangen og luftslange til brennerhodet. Slå opp på *Utskifting av luft- og*

brennstoffslanger og riktig ruting, side 2.

14. Sett fotocellen på plass i braketten til fotocellen. Før kablene som vist på figur 17, 18 eller 19.
15. Sett i viften (se figur 27-28).
16. Sett vifteskjermen og det øvre dekslet på plass (se fig 7-8).

(se figur 11, side 2)

A. Forbrenningskammer, B. Tennpluggens monteringsmutter, C. Brennreim, D. Tennplugg, E. Tennpluggledning, F. Dysekopling G. Brennstoffslange, H. Luftslange

(se figur 12, side 2)

A. Bøy her for å tilpasse avstanden

(se figur 13, side 2)

A. Brennreim

TENNPLUGG -(20/29/44 kW modellene)-

1. Fjern det øvre skjoldet *(se side 4)
2. Fjern viften (se side 5).
3. Fjern tennpluggledningen fra tennpluggen.
4. Fjern tennpluggen fra brennertoppen ved hjelp av en åpen 13/16" skrunøkkel.
5. Gjør ren og still tilbake avstanden på tennplugg elektrodene på følgende måte. (20/29/44 kW modellene): 1.9 mm 44 kW modellen: 2.8 mm
6. Installer tennpluggen på brennertoppen.
7. Fest tennpluggledningene på tennpluggen.
8. Bytt ut viften (se side 5).
9. Bytt viftesperren og det øvre skjoldet.

(se figur 14, side 3)

A. Brennertoppen, B. Tennpluggledning, C. Tennplugg

(se figur 15, side 3)

A. Bøy her for å tilpasse avstanden, B. Avstand

PRIMÆRFILTER, SEKUNDÆRFILTER OG OFILTER

1. Ta av det øvre dekslet (se figur 7-8).
 2. Fjern skruene som holder dekslet til filterhuset på plass, ved hjelp av en CH 8 tommer pipe.
 3. Ta av dekslet til filterhuset.
 4. Skift sekundærfiltret og lofilter.
 5. Rengjør eller skift primærfiltret (se *Forebyggende vedlikeholdsplan, side 2*).
 6. Sett på dekslet til filterhuset.
 7. Sett vifteskjermen og det øvre dekslet på plass.
- VIKTIG: Filtrene må ikke smøres med olje.**

JUSTERING AV PUMPETRYKKET

1. Ta trykkmålingspluggen og plasthetten (kun 10 kW og 20 kW) ut av dekslet til filterhuset.
2. Sett i trykkmåleren (delnummer 4109.427).
3. Slå på varmeapparatet (se Bruk, side 4). La motoren nå fullt turtall.
4. Juster trykket. Vri sikkerhetsventilen mot høyre for å øke trykket. Vri sikkerhetsventilen mot venstre for å redusere trykket. Tabellen til høyre viser riktig trykk for de ulike modellene.
5. Ta ut trykkmåleren. Sett trykkmålings-pluggen og plasthetten (kun 10 kW og 20 kW) tilbake i dekslet til filterhuset.

(se figur 16 eller 17, side 3)

A. Primærfilter, B. Deksel til filterhuset, C. Vifteskjerm, D. Sekundærfilter, E. Lofilter.

Modell	Pumpetrykk (Bar/PSI)
10 kW	0,207 / 3
20 kW	0,365 / 5,3
29 kW	0,275 / 4
44 kW	0,337 / 4,9

(se figur 18, side 3)

A. Trykkmålingsplugg, B. Sikkerhetsventil, C. Plasthette

(se figur 19, side 3)

A. Trykkmåler

DYSE -(10 kW modellene)-

1. Ta vekk det øvre dekslet (se figur 7-8).
2. Ta ut viften (se figur 27).
3. Fjern luft og brennstoffslangene fra dysen (se figur 17, 18 eller 19).
4. Drei dysen og tilhørende deler 1/4 omgang mot venstre og taden helt av ved å trekke den mot motoren (se fig. 20).
5. Sett sekskantfestet i plast i skrustikken og trekk lett til.
6. Ta dysen forsiktig ut av dyseadapteren ved hjelp av en CH 16 tommer pipenøkkel (se figur 21).
7. Blås trykkluft gjennom dyseåpningen. Dette fjerner eventuell skitt i dysen.
8. Undersøk om dysepakningen er skadet.
9. Sett dysen tilbake i dyseadapteren slik at dysen sitter godt på plass. Trekk til nok en 1/3 omgang til 4,5 til 5,1 Nm ved hjelp av en 5/8-tommers pipenøkkel. Se figur 21.
10. Fest dysen og tilhørende deler til festebraketten for brenneren.
11. Fest luft- og brennstoffslangene til dysen. Slå opp på *Utskifting av luft- og brennstoffslanger og riktig ruting.*
12. Sett i vifte (se figur 27-28).
13. Sett vifteskjermen og det øvre dekslet på plass (se fig. 7-8).

(se figur 20 eller 21, side 3)

A. Forbrenningskammer, B. Brennreim, C. Dysekopling, D. Luftslange, E. Brennstoffslange

(se figur 22, side 3)

A. Dyseåpning, B. Dysepakning, C. Feste til brennstoffslange
D. Feste til luftslange, E. Dyseadapter, F. Dyse

DYSE -(20/29/44 kW modellene)-

1. Fjern det øvre skjoldet *(se side 4)
2. Fjern viften (se side 5).
3. Fjern drivstoff- og luftslangene fra brennertoppen.
4. Fjern tennpluggledningen fra tennpluggen.
5. Fjern tennpluggen fra brennertoppen ved hjelp av en åpen 13/16" skrunøkkel.
6. Fjern tre skruer ved hjelp av en 5/16" skrutrekker, og fjern brennertoppen fra forbrenningskammeret.
7. Plasser brennerhodet i skrufestet, og stram lett.
8. Fjern forsiktig dysen fra brennertoppen ved hjelp av en 5/8" pipenøkkel (se figur 24).
9. Blås trykkluft gjennom åpningen av dysen. Dette vil fjerne eventuelle urenheter i dyseområdet.
10. Kontrollerer forseglingen av dysen for skader/slitasje.
11. Monter tilbake dysen i brennertoppen og stram godt (9.1-12.4 n-m/80-110 tommer - pund).
12. Fest brennertoppen i forbrenningskammeret.
13. Installer tennpluggen på brennertoppen.
14. Fest tennpluggledningene på tennpluggen.
15. Koble til drivstoff og luftslangene til brennertoppen.
16. Bytt ut viften (se side 5).
17. Bytt viftesperren og det øvre skjoldet.

(se figur 23, side 3)

A. Forbrenningskammer, B. Brennertoppen, C. Tennpluggledning, D. Tennplugg, E. Brennstoffslange, F. Luftslange

(se figur 24, side 3)

A. Dyseåpning, B. Dysepakning, C. Brennstoffslangetilpassing, D. Luftlangetilpassing, E. Brennertoppen, F. Dyse

PUMPEROTOR**(Framgangsmåte dersom rotoren stopper)**

1. Ta av det øvre dekslet (se figur 7-8).
2. Fjern skruene som holder dekslet til filterhuset på plass, ved hjelp av en CH 8 tommer pipe.
3. Ta av dekslet til filterhuset og ta ut luftfiltrene.
4. Fjern skruene som holder pumpeplaten på plass, ved hjelp av en CH8 tommer pipe.
5. Ta av pumpeplaten.
6. Ta ut rotoren, lageret og bladene.
7. Kontroller om det finnes urenheter i pumpen. Blås eventuelle urenheter ut med trykkluft.
8. Monter lageret og rotoren.
9. Kontroller rotoråpningen. Juster til 0,076/0,101 mm om nødvendig (se figur 25).
Merk: Roter rotoren en hel omdreining og kontroller at åpningen ingen steder er mindre enn 0,076/0,101 mm. Juster om nødvendig.
10. Monter bladene, pumpeplaten, luftfiltre og dekslet til filterhuset.
11. Sett på vifteskjermen og det øvre dekslet.
12. Juster pumpetrykket (se side 8).
Merk: Hvis rotoren framdeles ikke går rundt, må du gjøre følgende:
13. Utfør trinn 1 til 6 ovenfor.
14. Legg et stykke med fint sandpapir (600) på flatt underlag. Før rotoren i lette åttetallsbevegelser over sandpapiret fire ganger (se figur 26).
15. Monter lageret og rotoren.
16. Utfør trinn 10 til 12 ovenfor.

(se figur 25 eller 26, side 3)

A. Blad, B. Pumpeplate, C. Primærfilter, D. Deksel til filterhuset
E. Vifteskjerm, F. Sekundær-filter, G. Rotor, H. Lager.

(se figur 27, side 4)

A. Justeringsskrue, B. Åpning på 0,076/0,101 mm, målt med søkerblad, C. Blad

(se figur 28, side 4)

A. Sandpapir

VIFTE

VIKTIG: Ta viften av rotorakselen før du tar motoren ut av varmeapparatet. Vekten av motoren kan skade viften.

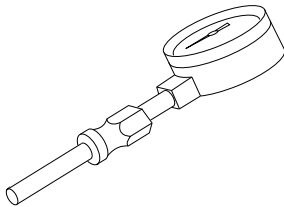
1. Ta av det øvre dekslet (se figur 7-8).
2. Bruk en 2,5 tommer sekskantnøkkel til å løsne låseskruen som fester viften til motorakselen.
3. Trekk viften av akselen.
4. Rengjør bladene ved hjelp av en myk klut som er fuktet i parafin eller løsningsmiddel.
5. Tørk viften omhyggelig.
6. Sett viften på motorakselen. Sett viftenavet i flukt med enden av motorakselen (se figur 28).
7. Sett låseskruen i sporet på akselen. Trekk den godt til (40-50tommepund, 4,5-5,6 Nm).
8. Sett vifteskjermen og det øvre dekslet på plass.

(se figur 25 eller 26, side 3)

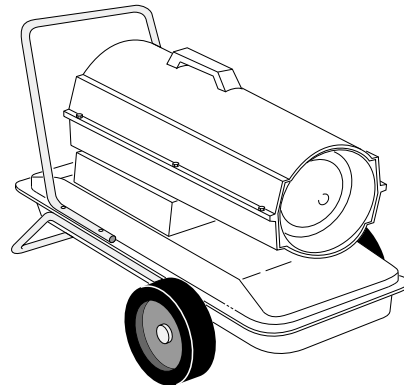
A. Motoraksel, B. Motoraksel, C. Låseskrue, D. I flukt med viftenavet.

TILLEGGSUTSTYR

Tilleggsutstyr kan fås hos forhandleren.

**LUFTMÅLINGSUTSTYR 4109.427**

Passer til alle modeller. Spesialverktøy til å kontrollere pumpetrykket.

**EKSTRA KRAFTIGE HJUL OG HÅNDTAK
4103.925**

Hvis du trenger kraftigere utstyr. Gjør varmeapparatet enda mer brukervennlig og lettere å manøvrere. Passer til modellene 10 kW og 20 kW.

GARANTI, REPARASJON OG SERVICE

BEVIS FOR GENERELT UTSTYR - ETTÅR BEGRENSET GARANTI

DESA Italia garanterer at nye produkter er fri for feil i materiale og utførelse i en periode på ettår etter den dato produktet ble levert til første bruker, under følgende vilkår:

DESA Italia s forpliktelse og ansvar begrenses under denne garantien uttrykkelig til reparasjon eller utskifting av deler etter DESA Italia s skjønn når det ved inspeksjon framgår at delene var mangelfulle i materiale eller utførelse da de ble levert fra fabrikken. Slike deler skal stilles til rådighet for brukeren ved fabrikken eller hos en forhandler som er godkjent av fabrikken, i løpet av vanlig arbeidstid og uten kostnad for brukeren. Garantien gjelder ikke for komponenter eller tilleggsutstyr som ikke er produsert av DESA Italia og som er utstyrt med garanti fra vedkommende produsent, og gjelder heller ikke vanlig vedlikehold (f.eks. trykkjusteringer) eller vanlige vedlikeholdsdeler (f.eks. filtre og tennplugger). Reservedeler eller byttedeler som installeres i et produkt som er dekket av denne garantien, er kun dekket fram til garantiens utløp på samme måte som om disse delene var originalkomponenter. DESA ITALIA FRAMSETTERINGEN ANDRE UTTRYKTE GARANTIER. I DEN GRAD ANVENDELIG LOV TILLATER DET FRAMSETTER DESA ITALIA INGEN UNDERFORSTÅTTE GARANTIER OG INGEN GARANTIER MED HENSYN TIL SALGBARHET ELLER ANVENDELIGHET TIL ET BESTEMT FORMÅL.

UNDER ALLE OMSTENDIGHETER BEGRENSES UNDERFORSTÅTTE GARANTIER, HERUNDER GARANTIER ANGÅENDE SALGBARHET ELLER ANVENDELIGHET TIL ET BESTEMT FORMÅL, TIL VARIGHETEN AV DENNE UTTRYKTE GARANTIEN.

Alle kostnader i forbindelse med transport, installasjon, tollavgifter eller andre avgifter må dekkes av brukeren. DESA Italias forpliktelse under denne begrensede garantien innebærer ikke ansvar for direkte, indirekte eller tilfældige skader, følgeskader eller forsinkelse. På anmodning fra DESA Italia skal produkter eller deler som det kreves erstatning for, returneres til fabrikken og transportkostnadene forhåndsbetales av brukeren. Ureglementert bruk, herunder bruk etter at det er oppdaget defekte eller utslitte deler, bruk utover kapasitet, bruk av deler som ikke er godkjent av DESA Italia eller enhver endring eller reparasjon av andre på en måte som etter DESA Italias oppfatning har betydelig negativ innvirkning på produktet, gjør denne garantien ugyldig.

INGEN ANSATT ELLER REPRESENTANT FOR DESA ITALIA HAR FULLMAKT TIL Å ENDRE DENNE GARANTIEN PÅ NOEN MÅTE ELLER FRAMSETTE ANNEN GARANTI, MED MINDRE ENDRINGEN GJØRES SKRIFTLIG OG UNDERSKRIVES PÅ HOVEDKONTORET AV EN FUNKSJONÆR HOS DESA ITALIA.

GARANTISERVICE

Opgi alltid modell- og serienummer ved henvendelse til fabrikken.

Vi forbeholder oss retten til å endre disse spesifikasjonene når som helst uten forvarsel. Eneste gyldige garanti er vår skriftlige standardgaranti. Vi framsetter ingen andre garantier, verken uttrykte eller underforståtte.

Reparasjonshåndboken kan fås ved henvendelse til teknisk serviceavdeling på følgende adresse:

PRZENOŚNE WENTYLATOROWE OGRZEWACZE POWIETRZA


INSTRUKCJA OBSŁUGI

WAŻNE : Zaleca się dokładne przeczytanie i zrozumienie niniejszej instrukcji przed przystąpieniem do montażu ogrzewacza, jego uruchomieniem i naprawą. Niewłaściwe użycie ogrzewacza może spowodować poważne obrażenia ciała. Należy zachować tę instrukcję do przyszłego użytku.

BEZPIECZEŃSTWO OBSŁUGI

OSTRZEŻENIA

WAŻNE: Zaleca się dokładne przeczytanie i zrozumienie niniejszej instrukcji przed przystąpieniem do montażu, uruchomienia lub naprawy ogrzewacza. Niewłaściwe użycie ogrzewacza może spowodować poważne obrażenia ciała, a nawet śmierć w wyniku poparzeń, pożaru, wybuchu, porażenia prądem, bądź zatrucia tlenkiem węgla.

 **NIEBEZPIECZEŃSTWO:** Zatrucie tlenkiem węgla może spowodować śmierć!

Zatrucie tlenkiem węgla: Pierwsze objawy zatrucia tlenkiem węgla przypominają grypę z bólami głowy, zawrotami głowy i nudnościami. Jeśli wystąpią wymienione wyżej objawy, wówczas zachodzi przypuszczenie, że ogrzewacz działa nieprawidłowo.

Należy natychmiast zaczerpnąć świeżego powietrza! Ogrzewacz musi zostać naprawiony. Niektóre osoby są bardziej podatne na zatrucie tlenkiem węgla, np. kobiety ciężarne, osoby cierpiące na choroby serca, płuc lub anemię, osoby będące pod wpływem alkoholu oraz przebywające na dużych wysokościach nad poziomem morza.

Należy przeczytać i zrozumieć wszystkie zawarte w tej instrukcji ostrzeżenia oraz zachować ją do użytku w przyszłości. Instrukcja ta jest przewodnikiem do bezpiecznego i właściwego użytkowania ogrzewacza.

- Należy używać tylko oleju napędowego lub lekkiego oleju opałowego, aby uniknąć ryzyka pożaru lub wybuchu. Nigdy nie należy stosować benzyny, nafty, rozpuszczalników, alkoholu lub innych łatwopalnych paliw.
- Napełnianie paliwem
 - a) Personel zajmujący się napełnianiem ogrzewacza paliwem musi być przeszkolony i szczegółowo zaznajomiony ze wskazaniem producenta oraz mającymi zastosowanie zasadami bezpiecznego napełniania paliwem urządzeń grzewczych.
 - b) Należy stosować wyłącznie paliwo podane na tabliczce znamionowej ogrzewacza.
 - c) Przed napełnianiem paliwem należy wygasić, a ogrzewacz pozostawić do wystygnięcia.
 - d) Podczas napełniania paliwem obserwować wszystkie przewody paliwowe i połączenia przewodów paliwowych pod kątem powstania przecieku. Wszelkie przecieki należy naprawić przed ponownym użyciem ogrzewacza.
 - e) Nigdy nie przechowywać wewnątrz budynku, w pobliżu ogrzewacza, większej ilości paliwa niż jego jednodniowy zapas. Zbiorniki paliwa powinny znajdować się poza budynkiem.
 - f) Wszelkie zbiorniki paliwa powinny znajdować się w odległości co najmniej 8 m od ogrzewacza, palników, urządzeń spawalniczych i wszelkich innych źródeł zapłonu (wyjątkiem jest zbiornik paliwa będący integralnym elementem ogrzewacza).
 - g) W miarę możliwości przechowywanie paliwa powinno ograniczać się do miejsc, w których stopień przenikania

podłoża nie pozwala na przeciekanie paliwa na niższą kondygnację lub jego zapalenie przez ogień przedostający się z niższej kondygnacji.

h) Miejsce przechowywania paliwa powinno być utrzymane zgodnie z miejscowymi przepisami.

- Nigdy nie należy używać ogrzewacza tam, gdzie występują opary benzyny, rozpuszczalników lub innych łatwopalnych substancji.
- Należy przestrzegać wszelkich przepisów lokalnych oraz wskazań dotyczących eksploatacji urządzenia.
- Ogrzewacze używane w pobliżu impregnowanego brezentu, płótna lub podobnych materiałów pokryciowych powinny być umieszczone w bezpiecznej odległości od tego typu materiałów. Zalecana minimalna bezpieczna odległość wynosi 3 m. Ponadto zaleca się, by materiały te miały właściwość zmniejszonej zapalności. Wspomniane materiały pokryciowe należy bezpiecznie umocować, aby zapobiec ich zapaleniu lub zakłócaniu pracy ogrzewacza w wyniku wytworzenia prądów powietrznych.
- Należy używać ogrzewacz tylko w dobrze przewietrzanych pomieszczeniach. Przed uruchomieniem ogrzewacza należy zapewnić wlot świeżego powietrza przez otwór o powierzchni co najmniej 2.800 cm² na każdą godziną wydajność 30kW.
- Ogrzewacz powinien być używany wyłącznie w miejscach wolnych od łatwopalnych oparów lub dużej zawartości pyłu.
- Należy podłączać ogrzewacz wyłącznie do źródła prądu o takim napięciu i częstotliwości, jakie podane są na tabliczce znamionowej modelu.
- Należy używać wyłącznie 3-kołkowego, uziemionego przedłużacza.
- W ymagane minimalne odległości ogrzewacza od materiałów i substancji łatwopalnych: od wylotu: 250 cm, od powierzchni ścian bocznych, góry i tyłu: 125 cm.
- Podczas pracy ogrzewacza lub gdy jest on gorący, należy go umieścić na płaskiej i stabilnej powierzchni, aby uniknąć niebezpieczeństwa pożaru.
- Podczas przemieszczania bądź przechowywania należy utrzymywać ogrzewacz w pozycji poziomej, aby uniknąć wycieku paliwa.
- Nie należy dopuszczać dzieci i zwierząt w pobliżu ogrzewacza.
- Należy wyłączać ogrzewacz z prądu, kiedy nie jest używany.
- Jeżeli ogrzewacz jest wyposażony w termostat, może się włączyć o każdej porze.
- Nigdy nie należy używać ogrzewacza w pomieszczeniach mieszkalnych.
- Nigdy nie należy blokować wlotu powietrza (z tyłu) lub wylotu powietrza (z przodu).
- Nigdy nie należy przesuwac, przemieszczać, napełniać paliwem lub naprawiać działającego, gorącego lub włączonego do prądu ogrzewacza.
- Nigdy nie przyłączać jakichkolwiek dodatkowych ciągów powietrznych na wlocie i wylocie powietrza.

SCHEMATY MODELI

(patrz rysunek 1 i 2, strona 2)

A. Wylot gorącego powietrza, B. Uchwyt, C. Osłona wentylatora, E. Korek paliwa, F. Przewód elektryczny, G. Wyłącznik i lampka

zasilania, **H.** Pokrywa boczna, **I.** Zbiornik paliwa, **L.** Pokrywa dolna, **M.** Pokrywa górna, **N.** Przycisk kasowania kontroli zerwania płomienia.

ROZPAKOWYWANIE

1. Wyjmij wszystkie opakowania zabezpieczające użyte do transportu ogrzewacza.
2. Wyjmij wszystkie części z pudła.
3. Sprawdź, czy nie zostały one uszkodzone podczas transportu. Jeśli ogrzewacz jest uszkodzony, niezwłocznie zawiadomić dystrybutora, u którego został on zakupiony.

PALIWO

OSTRZEŻENIE: Należy używać wyłącznie oleju napędowego lub lekkiego oleju opałowego, żeby uniknąć ryzyka pożaru lub wybuchu. Nigdy nie używać benzyny, benzyny ciężkiej, rozpuszczalników do farb, alkoholu, ani innych, wysoce zapalnych paliw.

Nie należy używać paliw ciężkich, takich jak olej opałowy ciężki. Używanie paliw ciężkich może stać się przyczyną:

- zablokowania filtra paliwa i dyszy
 - konieczności używania nietoksycznych środków zapobiegających zamarzaniu paliwa podczas bardzo niskich temperatur
- WAŻNE:** Należy używać WYŁĄCZNIE zbiornika przeznaczonego do przechowywania OLEJU NAPEĐOWEGO. Należy upewnić się, że pojemnik jest czysty. Obce ciała jak rdza, brud lub woda spowodują wyłączenie ogrzewacza przez system kontroli zerwania płomienia. Obce substancje mogą także spowodować konieczność częstego czyszczenia systemu paliwowego.

MONTAŻ *-(Tylko w modelach 29 kW i 44 kW)-*

Modele te są wyposażone w kółka i uchwyty. Kółka, uchwyty i inne części służące do montażu znajdują się w pudle.

Potrzebne narzędzia

- Średniej wielkości śrubokręt typu Phillips
 - Klucz nastawny lub o rozwarości 3/
 - Młotek
1. Wsuń oś w ramę wspierającą koła. Zainstaluj koła na osi. **WAŻNE:** Podczas instalowania kół, należy skierować przedłużenia piast kół w kierunku ramy wspierającej koła (patrz rys. 3).
 2. Umieść nakrętki kołpakowe na końcach osi. Delikatnie stuknij młotkiem, by weszły na miejsce.
 3. Ustaw ogrzewacz na ramie wspierającej koła. Upewnij się, czy wlot powietrza ogrzewacza (z tyłu) znajduje się ponad kołami. Dopasuj otwory w kołnierzu zbiornika paliwa z otworami w ramie wspierającej koła.
 4. Umieść przedni i tylny uchwyt na górnej powierzchni kołnierza zbiornika paliwa. Przełóż śruby przez uchwyty, kołnierz zbiornika paliwa oraz ramę wspierającą koła. Na każdą przełożoną śrubę mocno nakręć ręcznie nakrętkę.
 5. Po przełożeniu wszystkich śrub mocno dokręć nakrętki.

(patrz rysunek 3, strona 2)

A. Wylot gorącego powietrza, **B.** Śruba, **C.** Uchwyt przedni, **D.** Uchwyt tylny, **E.** Wlot powietrza, **F.** Przedłużenie piasty, **G.** Oś, **H.** Koło, **I.** Nakrętka, **L.** Nakrętka kołpakowa, **M.** Rama wspierająca koła, **N.** Kołnierz zbiornika paliwa.

PRZEWIETRZANIE

OSTRZEŻENIE: Należy przestrzegać wymagań dotyczących minimalnego przewietrzania ogrzewanych pomieszczeń świeżym powietrzem z zewnątrz. Przy niedostatecznej ilości świeżego powietrza może wystąpić zatrucie tlenkiem węgla. Należy zapewnić odpowiednie przewietrzenie świeżym powietrzem z zewnątrz przed uruchomieniem urządzenia.

Należy zapewnić wlot świeżego powietrza przez otwór o powierzchni co najmniej 2.800 cm² (3 stopy kwadr.) na każdą

godziną wydajność 29 kW. Przy kilku pracujących urządzeniach należy dostarczyć odpowiednio więcej świeżego powietrza.

Przykład: Ogrzewacz 44 kW wymaga spełnienia jednego z warunków:

- drzwi garażu na dwa samochody [otwór 4,9 metra] podniesione na wysokość 9 cm
- drzwi garażu na jeden samochód [otwór 2,75 metra] podniesione na wysokość 15,25 cm
- dwa okna 76 cm podniesione na wysokość 31 cm

ZASADA DZIAŁANIA

System paliwowy: Pompa powietrzna przepycha powietrze przez kanał powietrzny. Następnie jest ono popychane do dyszy na głowicy palnika. Powietrze to powoduje zasysanie paliwa ze zbiornika. Drobnopulone paliwo jest wtryskiwane do komory spalania.

System powietrza: Wentylator jest obracany za pomocą silnika. Wentylator przepycha powietrze do komory spalania i dookoła niej. Ogrzane powietrze dostarcza strugi czystego, gorącego powietrza.

System zapłonu: Elektroniczny zapłonnik przesyła napięcie na świecę zapłonową. Zapala ona mieszanekę paliwowo-powietrzną.

System kontroli zerwania płomienia: System ten powoduje wyłączenie ogrzewacza przy zerwaniu (zgaśnięciu) płomienia.

(patrz rysunek 4, strona 2)

A. Wylot czystego gorącego powietrza, **B.** Komora spalania, **C.** Świeca zapłonowa, **D.** Głowica palnika, **E.** Wentylator, **F.** Silnik, **G.** Pompa powietrza, **H.** Filtr wlotu powietrza, **I.** Wlot zimnego powietrza, **L.** Filtr wylotu powietrza, **M.** Zespół sterowania zapłonem, **N.** Kanał powietrzny do palnika, **O.** Filtr paliwa, **P.** Dysza palnika, **Q.** Zbiornik paliwa, **R.** Powietrze do systemu paliwowego, **S.** Powietrze do spalania i ogrzewania, **T.** Paliwo.

DZIAŁANIE

OSTRZEŻENIE: Przed przystąpieniem do eksploatacji urządzenia należy uważnie przeczytać i zrozumieć wszystkie ostrzeżenia zawarte w rozdziale dotyczącym bezpieczeństwa obsługi ogrzewacza. Informacje te są konieczne dla prawidłowego używania ogrzewacza.

ABY WŁĄCZYĆ OGRZEWACZ NALEŻY:

1. Przestrzegać wszelkich wskazań dotyczących wentylacji i bezpieczeństwa.
2. Napełnić zbiornik paliwa olejem napędowym lub lekkim olejem opałowym.
3. Zamknąć nakrętkę zbiornika paliwa.
4. Włączyć wtyczkę ogrzewacza do standardowego uzziemionego gniazdka 230V/50Hz. Jeśli jest to konieczne, należy użyć przedłużacza. Należy używać tylko 3-kołkowego, uzziemionego przedłużacza.

WYMAGANIA DOTYCZĄCE ROZMIARU PRZEWODU ELEKTRYCZNEGO W PRZEDŁUŻACZU

długość do 30,5 m - przewód 1,00 mm² (16 AWG)

długość od 30 do 61 m - przewód 1,50 mm² (14AWG)

Ustawić przełącznik WŁ/WYŁ na pozycję WŁ (I) - ogrzewacz powinien włączyć się w ciągu 5 sekund. W przypadku, jeśli lampka zasilania nie zapala się, lub nie uruchamia się ogrzewacz, patrz Diagnostyka, (str. 3)

ABY WYŁĄCZYĆ OGRZEWACZ NALEŻY:

Nastawić przełącznik WŁ/WYŁ na WYŁ

KASOWANIE KONTROLI ZERWANIA PŁOMIENIA OGRZEWACZA

1. Odczekać 2 minuty od wyłączenia ogrzewacza.
2. Powtórzyć czynności zgodnie z punktem Aby włączyć ogrzewacz.

(patrz rysunek 5 i 6, strona 2)

A. Przycisk kasowania kontroli zerwania płomienia, **A.** Wyłącznik

i lampka zasilania.

PRZECHOWYWANIE, TRANSPORT, WYSYŁKA

Uwaga: Przy wysyłce, przedsiębiorstwa transportowe wymagają opróżnienia zbiorników paliwowych.

1. Opróżnij zbiornik paliwa.

Uwaga: Niektóre modele wyposażone są w korek spustowy paliwa w spodniej części zbiornika paliwa. W takim przypadku, w celu opróżnienia zbiornika paliwa, należy odkręcić korek spustowy. Jeśli ogrzewacz nie jest wyposażony w korek spustowy paliwa, należy opróżnić zbiornik przez otwór na górze. Należy zawsze upewnić się, że całe paliwo zostało usunięte ze zbiornika.

2. Zamocuj z powrotem korek spustowy paliwa, jeśli był użyty.
3. Jeśli w starym paliwie zauważalny jest osad, należy wlać do zbiornika 1 lub 2 litry (kwarty) czystego oleju napędowego, zamieszać i opróżnić zbiornik ponownie. Zapobiegnie to zapychaniu filtrów osadem przy użyciu w przyszłości.
4. Zamocuj z powrotem korek paliwa lub korek spustowy paliwa. Należy pozbyć się starego paliwa w sposób zgodny z przepisami. Sprawdź, czy lokalne stacje serwisowe nie przyjmują używanego paliwa do oczyszczenia i ponownego użycia.
5. Należy przechowywać ogrzewacz w suchym miejscu, upewniając się, że miejsce przechowywania jest wolne od kurzu i oparów wywołujących korozję.

WAŻNE: Nie należy przechowywać paliwa przez miesiące letnie w celu użycia w następnym sezonie grzewczym. Używanie staro-paliwa może uszkodzić ogrzewacz.

BIEŻĄCA KONSERWACJA

OSTRZEŻENIE: Nigdy nie należy naprawiać ogrzewacza, gdy jest on włączony do prądu, w czasie pracy lub gdy jest gorący. Może to spowodować poważne oparzenia lub porażenie prądem.

CZĘŚĆ	JAK CZĘSTO	W JAKI SPOSÓB
Zbiornik paliwa	Przeplukiwać co 150-200 godzin pracy lub w razie potrzeby	Patrz <i>Przechowywanie, transport, wysyłka</i>
Filtr wylotu powietrza i filtr włókninowy	Wymieniać co 500 godzin pracy lub raz w roku	Patrz <i>Filtr wylotu powietrza, filtr wlotu powietrza i filtr włókninowy</i> , strona 4
Filtr wlotu powietrza	Przemywać wodą z mydłem i wysuszyć co 500 godzin działania lub w razie potrzeby	Patrz <i>Filtr wylotu powietrza, filtr wlotu powietrza i filtr włókninowy</i> , strona 4
Filtr paliwa	Czyścić dwa razy w ciągu sezonu grzewczego lub w razie potrzeby	Patrz <i>Filtr paliwa</i> , strona 4
Świeca zapłonowa	Czyścić i uszczelniać co 600 godzin pracy lub wymienić w razie potrzeby.	Patrz <i>Świeca zapłonowa</i> , strona 4.
Łopatki wentylatora	Czyścić raz w sezonie lub w razie potrzeby	Patrz <i>Wentylator</i> , strona 5
Silnik	Konserwacja nie potrzebna. Naoliwiony na stałe	

DIAGNOSTYKA

OSTRZEŻENIE: Nigdy nie należy naprawiać ogrzewacza, gdy jest on włączony do prądu, w czasie pracy lub gdy jest gorący. Może to spowodować poważne oparzenia lub porażenie prądem.

NIEWŁAŚCIWE DZIAŁANIE	MOŻLIWA PRZYCZYNA	NAPRAWA
Ogrzewacz włącza się, ale po krótkim czasie kontrola zerwania płomienia wyłącza ogrzewacz.	<ol style="list-style-type: none"> 1. Złe ciśnienie w pompie 2. Zanieczyszczony filtr wylotu powietrza, filtr wlotu powietrza lub filtr włókninowy 3. Zanieczyszczony filtr paliwa 4. Zanieczyszczenia w dyszy palnika 5. Zanieczyszczona soczewka fotokomórki 6. Wadliwa kontrola zerwania płomienia 	<ol style="list-style-type: none"> 1. Patrz <i>Regulacja ciśnienia w pompie</i>, strona 4. 2. Patrz <i>Filtr wylotu powietrza, filtr wlotu powietrza i filtr włókninowy</i>, strona 4. 3. Patrz <i>Filtr paliwa</i>, strona 4. 4. Patrz <i>Dysza palnika</i>, strona 5. 5. Wyczyść soczewkę fotokomórki. 6. Wymień kontrolę zerwania płomienia
Ogrzewacz nie zapala, ale silnik pracuje przez krótką chwilę.	<ol style="list-style-type: none"> 1. Złe ciśnienie w pompie 2. Osad węgla na świecy zapłonowej lub niewłaściwa odległość między elektrodami 3. Zanieczyszczony filtr paliwa 4. Zanieczyszczenia w dyszy palnika 5. Woda w zbiorniku paliwa 	<ol style="list-style-type: none"> 1. Patrz <i>Regulacja ciśnienia w pompie</i>, strona 4. 2. Patrz <i>Świeca zapłonowa</i>, strona 4. 3. Patrz <i>Filtr paliwa</i>, strona 4. 4. Patrz <i>Dysza palnika</i>, strona 5. 5. Opróżnij i wypłucz zbiornik paliwa czystym olejem napędowym. Patrz <i>Przechowywanie, transport, wysyłka</i>, strona 2.
	<ol style="list-style-type: none"> 6. Nie uziemiony zapłonnik elektroniczny 7. Uszkodzony zapłonnik elektroniczny 	<ol style="list-style-type: none"> 6. Upewnić się, czy zapłonnik jest dobrze przymocowany. 7. Wymień zapłonnik elektroniczny.
Silnik nie startuje po podłączeniu ogrzewacza do prądu, wentylator obraca się powoli lub nie obraca się.	<ol style="list-style-type: none"> 1. Kontrola zerwania płomienia nie skasowana 2. Zacięcie się wirnika pompy 	<ol style="list-style-type: none"> 1. Wdusić przycisk kasowania kontroli zerwania płomienia, zob. 2. Jeśli wentylator obraca się z trudem, patrz <i>Wirnik pompy</i>, strona.

OSTRZEŻENIE: Wysokie napięcie!

OBSŁUGI I CZYNNOŚCI ZWIĄZANE Z NAPRAWĄ

OSTRZEŻENIE: Nigdy nie należy naprawiać ogrzewacza, gdy jest on włączony do prądu, w czasie pracy lub gdy jest gorący. Może to spowodować poważne oparzenia lub porażenie prądem.

ZDEJMOWANIE GÓRNEJ POKRYWY

1. Wyjmij śruby i podkładki zabezpieczające wzdłuż obu stron ogrzewacza, używając klucza 5/16 cala. Śruby te łączą górną i dolną pokrywę.
2. Zdejmij górną pokrywę.
3. Zdejmij osłonę wentylatora.

FILTR PALIWA -(modele 10 kW i 20 kW)-

1. Odkręć śruby w bocznej pokrywie, używając klucza 5/16 cala.
2. Zdejmij boczną pokrywę.
3. Wyciągnij gumowy wężyk paliwa z szyjki filtra paliwa.
4. Ostrożnie podważ i wyciągnij zwężkę i filtr paliwa ze zbiornika paliwa.
5. Wypłucz filtr czystym paliwem i umieść go z powrotem w zbiorniku.
6. Umocuj gumowy wężyk paliwowy do szyjki filtra paliwa.
7. Zamocuj boczną pokrywę.

FILTR PALIWA -(modele 29 kW i 44 kW)-

1. Odkręć śruby w bocznej pokrywie, używając klucza 5/16 cala.
2. Zdejmij boczną pokrywę.
3. Wyciągnij górny wężyk paliwa z szyjki filtra paliwa.
4. Ostrożnie podważ i wyciągnij zwężkę, dolny wężyk paliwowy i filtr paliwa ze zbiornika paliwa.
5. Wypłucz filtr czystym paliwem i umieść go z powrotem w zbiorniku.
6. Umocuj górny wężyk paliwowy do szyjki filtra paliwa.
7. Zamocuj boczną pokrywę.

(patrz rysunek 7 i 8, strona 2)

A. Górna pokrywa, B. Osłona wentylatora.

(patrz rysunek 9, strona 2)

A. Filtr paliwa, B. Boczna pokrywa, C. Wężyk paliwowy.

(patrz rysunek 10, strona 2)

A. Filtr paliwa, B. Boczna pokrywa, C. Wężyk paliwowy.

ŚWIECA ZAPŁONOWA -(model 10kW)-

1. Zdejmij górną pokrywę.
2. Wyjmij wentylator (patrz strona 5).
3. Wyjmij wąż paliwa i wąż powietrza z zespołu dyszy.
4. Wyjmij przyłącze świecy ze świecy zapłonowej.
5. Wykręć dwie śruby za pomocą klucza 5/16 cala i zdejmij nakładkę palnika.
6. Umieść sześciokąt świecy w imadle i dociśnij.
7. Odkręć śrubę mocującą świecę zapłonową przy pomocy klucza o rozwarości 11/16 cala.
8. Zdejmij nakładkę palnika ze świecy zapłonowej.
9. Wyczyść elektrody świecy zapłonowej i ustaw je ponownie w odległości 1,40 mm (0,055 cala).
10. Umieść nakładkę palnika na świecy zapłonowej. Obracaj nakładkę palnika do momentu, gdy dotknie elektrod świecy zapłonowej. (patrz rysunek 13).
11. Dopasuj świecę zapłonową nakrętką mocującą.
12. Uwolnij sześciokąt świecy z imadła.
13. Umieść nakładkę palnika na komorze spalania.
14. Umocuj przyłącze świecy do świecy zapłonowej.
15. Przyłącz wąż paliwa i wąż powietrza do zespołu dyszy palnika.
16. Zamocuj wentylator (patrz strona 5).
17. Zamocuj osłonę wentylatora i pokrywę górną.

(patrz rysunek 11, strona 2)

A. Komora spalania, B. Nakrętka do zamocowania świecy zapłonowej, C. Nakładka palnika, D. Świeca zapłonowa, E. Przyłącze świecy zapłonowej, F. Zespół dyszy palnika, G. Wąż paliwa, H. Wąż powietrza

(patrz rysunek 12, strona 3)

A. Zagnij w tym miejscu, aby dopasować odstęp między elektrodami

(patrz rysunek 13, strona 3)

A. Nakładka palnika

ŚWIECA ZAPŁONOWA

(modele 20kW, 29kW, 44kW)

1. Zdejmij górną pokrywę (patrz strona 4).
2. Wyjmij wentylator (patrz strona 5).
3. Wyjmij przyłącze świecy ze świecy zapłonowej.
4. Zdejmij świecę zapłonową z głowicy palnika, używając klucza o rozwarości 13/16 cala.
5. Wyczyść elektrody świecy zapłonowej i ustaw je ponownie w odległości: -modele 20kW, 29kW: 1,90 mm (0,075 cala); model 44kW: 2,80 mm (0,110 cala)
6. Zamontuj świecę zapłonową na głowicy palnika.
7. Umocuj przyłącze świecy do świecy zapłonowej.
8. Zamocuj wentylator (patrz strona 5).
9. Zamocuj osłonę wentylatora i pokrywę górną.

(patrz rysunek 14, strona 3)

A. Głowica palnika, B. Przyłącze świecy zapłonowej, C. Świeca zapłonowa

(patrz rysunek 15, strona 3)

A. Zagnij w tym miejscu, aby dopasować odstęp między elektrodami

FILTR WYLOTU POWIETRZA, FILTR WLOTU POWIETRZA I FILTR WŁÓKNINOWY.

1. Zdejmij górną pokrywę (patrz strona 4).
 2. Odkręć śruby w nakładce w końcu filtra, używając klucza 5/16 cala.
 3. Zdejmij nakładkę na końcu filtra.
 4. Wymień filtr wylotu powietrza i filtr włókninowy.
 5. Wypłucz lub wymień filtr wlotu powietrza (patrz Bieżąca konserwacja, strona 3).
 6. Zamontuj nakładkę na końcu filtra.
 7. Zamontuj osłonę wentylatora i pokrywę górną.
- WAŻNE:** Nie należy naoliwiać filtrów

REGULACJA CIŚNIENIA W POMPIE

1. Zdejmij zatyczkę ciśnieniową z nakładki na końcu filtra.
2. Zainstaluj pomocniczy ciśnieniomierz (część HA1180).
3. Włącz ogrzewacz (patrz Działanie, strona 4). Poczekaj aż silnik osiągnie maksymalną moc.
4. Wyreguluj ciśnienie. Przekręć zawór nadmiarowy w prawo, aby zwiększyć ciśnienie. Przekręć zawór nadmiarowy w lewo, aby zmniejszyć ciśnienie. Zobacz specyfikacje po prawej stronie wyszczególnienie odpowiednich wartości ciśnienia dla poszczególnych modeli.
5. Odłącz ciśnieniomierz. Załóż zatyczkę ciśnieniową na nakładce końca filtra.

(patrz rysunek 16 i 17, strona 3)

A. Filtr wlotu powietrza, B. Nakładka na końcu filtra, C. Osłona wentylatora, D. Filtr wylotu, powietrza, E. Filtr włókninowy.

Model	Ciśnienie w pompie (Bar/PSI)
10 kW	0,207 / 3
20 kW	0,365 / 5,3
29 kW	0,275 / 4
44 kW	0,337 / 4,9

(patrz rysunek 18, strona 3)

A. Zatyczka ciśnieniowa, B. Zawór nadmiarowy, C. Plastic cap

(patrz rysunek 19, strona 3)

A. Ciśnieniomierz

DYSZA PALNIKA -(model 10kW)-

1. Zdejmij górną pokrywę (patrz strona 4).
2. Wyjmij wentylator (patrz strona 5).
3. Wyjmij wąż paliwa i wąż powietrza z zespołu dyszy palnika.
4. Przekręć zespół dyszy palnika o 1/4 obrotu w lewo i pociągnij w kierunku silnika w celu wyjęcia.
5. Umieść plastikowy sześciokąt w imadle i lekko go dociśnij.
6. Ostrożnie wyjmij dyszę palnika ze złączki dyszy przy pomocy klucza nasadowego o rozwarości 5/8 cala.
7. Przedmuchaaj sprężonym powietrzem czoło dyszy. Usunie to wszelkie zanieczyszczenia znajdujące się w obszarze dyszy.
8. Sprawdź, czy uszczelka dyszy nie została uszkodzona.
9. Włóż dyszę do złączki, tak by w niej osiadła. Dociśnij ją, dokręcając o 1/3 obrotu przy użyciu klucza nasadowego 5/8 cala (4,50-5,10 n-m).
10. Przymocuj zespół dyszy do nakładki palnika.
11. Przyłącz wąż paliwa i wąż powietrza do zespołu dyszy.
12. Zamocuj wentylator (patrz strona 5).
13. Zamocuj osłonę wentylatora i pokrywę górną.

(patrz rysunek 20 i 21, strona 3)

A. Komora spalania, B. Nakładka palnika, C. Zespół dyszy palnika, D. Wąż paliwa, E. Wąż powietrza

(patrz rysunek 22, strona 3)

A. Głowica dyszy palnika, B. Uszczelka dyszy, C. Umocowanie węża paliwa, D. Umocowanie węża powietrza, E. Złączka zwężkowa dyszy, F. Dysza palnika,

DYSZA PALNIKA -(modele 20kW, 29kW, 44kW)-

1. Zdejmij pokrywę górną (patrz strona 4).
2. Wyjmij wentylator (patrz strona 5).
3. Wyjmij wąż paliwa i wąż powietrza z głowicy palnika.
4. Wyjmij przyłącze świecy ze świecy zapłonowej.
5. Zdejmij świecę zapłonową z głowicy palnika, używając klucza 13/16 cala.
6. Wykręć trzy śruby przy pomocy klucza 5/6 cala i zdejmij głowicę palnika z komory spalania.
7. Umieść głowicę palnika w imadle i lekko dociśnij.
8. Ostrożnie odłącz dyszę od głowicy palnika, używając klucza nasadowego 5/8 cala (patrz rysunek 24).
9. Przedmuchaaj sprężonym powietrzem powierzchnię czołową dyszy. Usunie to wszelkie zanieczyszczenia znajdujące się w obszarze dyszy.
10. Sprawdź, czy uszczelka dyszy nie została uszkodzona.
11. Umieść dyszę palnika na głowicy palnika i mocno dociśnij (9,10-12,40 nm).
12. Przymocuj głowicę palnika do komory spalania.
13. Zamontuj świecę zapłonową na głowicy palnika.
14. Dołącz przyłącze świecy do świecy zapłonowej.
15. Przyłącz wąż paliwa i wąż powietrza do głowicy palnika.
16. Zamocuj wentylator (patrz strona 5).
17. Zamocuj osłonę wentylatora i pokrywę górną.

(patrz rysunek 23, strona 3)

A. Komora spalania, B. Głowica palnika, C. Przyłącze świecy

zapłonowej, D. Świeca zapłonowa, E. Wąż paliwa, F. Wąż powietrza, G. Śruba

(patrz rysunek 24, strona 3)

A. Głowica dyszy palnika, B. Uszczelka dyszy, C. Umocowanie węża paliwa, D. Umocowanie węża powietrza. E. Głowica palnika, F. Dysza palnika

WIRNIK POMPY

(Czynności w wypadku zacięcia się wirnika)

1. Zdjąć pokrywę górną (patrz strona 4).
2. Odkręcić śruby w nakładce na końcu filtra używając klucza 5/16 cala.
3. Zdjąć nakładkę na końcu filtra i filtry powietrzne.
4. Wykręć śruby na płycie pompy, używając klucza 5/16 cala.
5. Zdejmij płytę pompy.
6. Zdejmij wirnik, wkładkę i łopatkę.
7. Sprawdź, czy nie ma osadów w pompie. Jeśli są wydmuchaj je sprężonym powietrzem.
8. Zamontuj wkładkę i wirnik.
9. Sprawdź odstęp na wirniku. Jeśli trzeba, wyreguluj do 0,076/0,101 mm w największym miejscu (patrz Rys. 25). Uwaga: Obrócić wirnik o pełny obrót, aby upewnić się, że odległość wynosi 0,076/0,101 mm w największym miejscu. Jeśli trzeba, wyreguluj.
10. Zamontuj łopatkę, płytę pompy, filtry powietrzne, nakładkę na końcu filtra.
11. Załóż osłonę na wentylator i pokrywę górną.
12. Wyreguluj ciśnienie w pompie (patrz strona 4).
Uwaga: Jeśli wirnik wciąż się zacina, postępuj według poniższych instrukcji.
13. Wykonaj czynności wymienione w punktach 1 do 6 powyżej.
14. Na płaskiej powierzchni umieść kawałek drobnoziarnistego papieru ściernego (ziarnistość 600). Lekko przeszlifuj wirnik wykonując cztery ósemki na papierze ściernym (patrz Rysunek 26).
15. Ponownie zamontuj wkładkę i wirnik.
16. Wykonaj czynności wymienione w punktach 10 do 12 powyżej.

(patrz rysunek 25 i 26, strona 3)

A. Łopatkę, B. Płyta pompy, C. Filtr wlotu powietrza, D. Nakładka na końcu filtra, E. Osłona wentylatora, F. Filtr wylotu powietrza, G. Wirnik, H. Wkładka.

(patrz rysunek 27, strona 3)

A. Śruba do regulacji wielkości odstępu B. Odstęp 0,076/0,101 mm zmierzony przy pomocy szczelinomierza C. Łopatkę

(patrz rysunek 28, strona 3)

A. Papier ścierny

WENTYLATOR

WAŻNE: Wymontuj wentylator z wału silnika przed wymontowaniem silnika z ogrzewacza. Spoczywający na wentylatorze silnik mógłby swoim ciężarem uszkodzić gwint wentylatora.

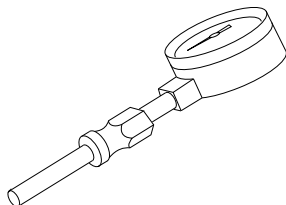
1. Zdejmij pokrywę górną (patrz strona 4).
2. Przy pomocy klucza sześciokątnego 1/8 cala wyluzuj śrubę dociskową, która łączy wentylator z wałem silnika.
3. Zsuń wentylator z wału silnika.
4. Oczyść wentylator używając miękkiej ściereczki nawilżonej paliwem lub rozpuszczalnikiem.
5. Dokładnie osusz wentylator.
6. Umocuj wentylator ponownie na wale silnika. Umocuj płaszczyznę czołową piasty wentylatora równolegle do płaszczyzny końcówki wału silnika (patrz Rysunek 28).
7. Umieść śrubę dociskową na płaszczyźnie wału. Mocno przykręć śrubę dociskową (40-50 inch-pounds 4.5-5.6 n-m).
8. Zamontuj osłonę wentylatora i górną pokrywę.

(patrz rysunek 29 i 30, strona 4)

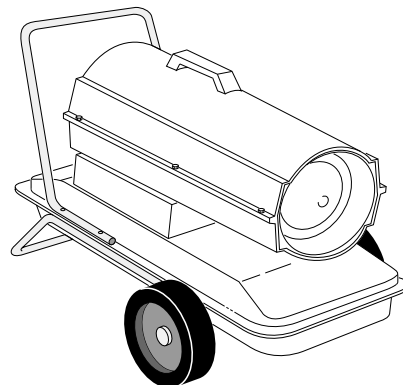
A. Wentylator, B. Wał silnika, C. Śruba dociskowa, D. Ustawić w jednej płaszczyźnie.

WYPOSAŻENIE DODATKOWE

Wyposażenie dodatkowe jest do nabycia u lokalnych dystrybutorów.

**CIŚNIENIOMIERZ - 4109.427**

Do wszystkich modeli. Służy do sprawdzania ciśnienia w pompie.

**KOMPLET KÓŁ Z UCHWYTEM,
PRZYSTOSOWANY DO DUŻYCH OBCIĄŻEŃ
- 4103.925**

Wytrzymały na duży ciężar. Sprawia, że ogrzewacz jest jeszcze wygodniejszy do przemieszczania. Dla modeli 10 kW i 20 kW.

GWARANCJA I USŁUGI NAPRAWCZE**JEDNOROCZNA GWARANCJA OBEJMUJE PODSTAWOWE WYPOSAŻENIE OGRZEWACZA**

DESA Italia gwarantuje naprawę wszelkich defektów materiałowych, bądź związanych ze złym wykonaniem w zakupionym produkcie, przez jeden rok od daty dostarczenia produktu do jego pierwszego użytkownika pod następującymi warunkami: Wszelkie zobowiązania i odpowiedzialność DESA Italia na podstawie tej gwarancji ograniczają się do naprawy lub wymiany, według uznania DESA Italia, każdej części, w której wykryto wady materiałowe lub jakikolwiek defekt powstały podczas transportu. Części te powinny być dostarczone (transport objęty gwarancją) do autoryzowanego centrum usługowego lub do fabryki w czasie normalnych godzin pracy. Gwarancja ta nie obejmuje części lub wyposażenia dodatkowego nie wyprodukowanych przez DESA Italia, a które posiadają gwarancję ich producenta, ani bieżącej konserwacji (jak regulacja ciśnienia) oraz części wymienianych w trakcie bieżącej konserwacji (jak filtry lub świece zapłonowe). Części do naprawy lub wymiany zainstalowane w tym wyrobie, objęte niniejszą gwarancją, podlegają gwarancji tylko przez resztę czasu podanego w tej gwarancji, jak gdyby części te były oryginalnymi składnikami wyrobu, o którym mowa. DESA ITALIA NIE WYDAJE ŻADNEJ INNEJ GWARANCJI. W RAMACH OBOWIĄZUJĄCEGO PRAWA DESA INTERNATIONAL NIE ZAPEWNIAMY KONIECZNYCH POZAGWARANCYJNYCH USŁUG, ANI NIE UDZIELA ŻADNYCH GWARANCJI NA MOŻLIWOŚĆ ZWROTU, CZY GWARANCJI NA ZDATNOŚĆ UŻYTKOWĄ PRODUKTU DLA SZCZEGÓL-

NYCH CELÓW. W KAŻDYM PRZYPADKU KONIECZNE USŁUGI GWARANCYJNE WŁĄCZNIE Z GWARANCJĄ ZWROTU I GWARANCJĄ NA ZDATNOŚĆ UŻYTKOWĄ PRODUKTU LIMITOWANE SĄ OKRESEM TRWANIA NINIEJSZEJ GWARANCJI. Wszelkie koszty transportu, koszty instalacji, cła, podatki i wszelkie inne ponosi użytkownik. W ramach niniejszej gwarancji DESA Italia nie przyjmuje odpowiedzialności za bezpośrednie, pośrednie, przypadkowe i wyniki pośrednio zniszczenia i opóźnienia. Na prośbę DESA Italia, wyroby lub części podlegające gwarancji powinny być wysłane do fabryki na koszt klienta. Wszelkie niewłaściwe użytkowanie, w tym używanie wyrobu po wykryciu uszkodzonych lub zużytych części, nadmierne obciążanie urządzenia, wymiana części na nie zatwierdzone przez DESA Italia oraz wszelkie przeróbki i naprawy wykonane przez innych w taki sposób, że w ocenie DESA Italia tylko pogorszyły istniejący stan, spowodują unieważnienie tej gwarancji.

ŻADEN PRACOWNIK CZY PRZEDSTAWICIEL HANDLOWY FIRMY NIE JEST UPOWAŻNIONY DO DOKONYWANIA ZMIAN W TEJ GWARANCJI W JAKIKOLWIEK SPOSÓB LUB DO UDZIELANIA INNEJ GWARANCJI, O ILE TAKA ZMIANA NIE ZOSTAŁA UCZYNIIONA NA PIŚMIE I PODPISANA PRZEZ URZĘDNIKA PEŁNOMOCNEGO DESA INTERNATIONAL W JEGO MACIE ZYSTYM BIURZE.

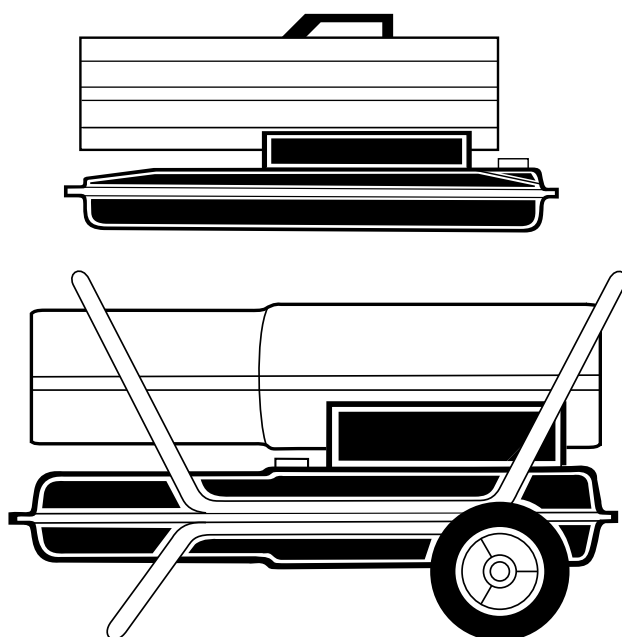
OBSŁUGA GWARANCYJNA

Należy zawsze podać numer modelu i serii podczas kontaktowania się z fabryką. Rezerwujemy sobie prawo do zmiany niniejszych wyszczególnień w dowolnym czasie bez uprzedzenia. Jedyną obowiązującą gwarancją jest nasza standardowa gwarancja na piśmie. Nie udzielamy żadnych innych gwarancji wyrażonych lub implikowanych. Po Instrukcję obsługi należy zwrócić się na piśmie do Działu Obsługi Technicznej w:

MASTER®

ПЕРЕДВИЖНЫЕ ВОЗДУХОНАГРЕВАТЕЛИ С СИСТЕМОЙ НАДДУВА

РУКОВОДСТВО ДЛЯ ПОЛЬЗОВАТЕЛЯ



Мощность нагревателей - 10, 20, 29 и 44 кВт
Модели - BE35CED, BE70CED, BE100CED и BE150CED

ВАЖНО!

Прочтите и изучите данное руководство перед сборкой, пуском или обслуживанием нагревателя. Неправильное использование нагревателя может привести к серьезным травмам. Сохраните данное руководство для последующего использования.



MASTER ПЕРЕДВИЖНЫЕ ВОЗДУХОНАГРЕВАТЕЛИ С СИСТЕМОЙ НАДДУВА

ИНФОРМАЦИЯ ПО ТЕХНИКЕ БЕЗОПАСНОСТИ

⚠ ОСТОРОЖНО!

ВАЖНО! Внимательно и полностью прочтите данное «Руководство для пользователя» перед сборкой, пуском или обслуживанием нагревателя. Неправильное использование данного нагревателя может привести к серьезным травмам или смерти вследствие ожогов, пожара, взрыва, поражения электрическим током или отравления угарным газом.

⚠ ОПАСНО! Отравление угарным газом смертельно опасно!

Отравление угарным газом. Первые признаки отравления угарным газом (окисью углерода) напоминают симптомы гриппа - головная боль, головокружение и(или) тошнота. Появление таких признаков может означать, что нагреватель работает неправильно. **Немедленно впусните свежий воздух!**

Проведите обслуживание нагревателя. Некоторые люди более других чувствительны к угарному газу. Это беременные женщины, люди с болезнями сердца и легких, а также с малокровием, люди, находящиеся под воздействием алкоголя, и люди, находящиеся на больших высотах.

Обязательно прочтите и усвойте все предупреждения. Сохраните это руководство для последующего использования. Оно будет служить вам пособием по правильной и безопасной эксплуатации нагревателя.

- Во избежание опасности пожара или взрыва пользуйтесь только керосином или нефтяным топливом № 1. Запрещается использовать бензин, лигроин, разбавители для красок, спирт или другие легковоспламеняющиеся виды топлива.
- Заправка топливом
 - а) Персонал, связанный с заправкой нагревателя топливом, должен быть квалифицированным и хорошо знакомым с инструкциями изготовителя и с применимыми правилами безопасной заправки нагревательных приборов.
 - б) Пользуйтесь только теми видами топлива, которые указаны на табличке с параметрами нагревателя.
 - в) Перед заправкой необходимо погасить все источники пламени, включая дежурные, если таковые имеются, и дать нагревателю остыть.
 - г) Во время заправки необходимо проверить все топливопроводы и их соединения на утечку. Все утечки должны быть устранены до пуска нагревателя в эксплуатацию.
 - д) В здании вблизи нагревателя не допускается хранение запаса топлива более чем на один день работы нагревателя. Основное хранилище топлива для нагревателя должно находиться вне здания.
 - е) Все хранилища топлива должны располагаться на расстоянии не менее 762 см (25 футов) от нагревателей, горелок, сварочного оборудования и подобных источников огня (исключение составляет топливный бак, входящий в конструкцию самого нагревателя).
 - ж) По мере возможности, следует хранить топливо так, чтобы, проникнув через пол на нижний этаж, оно не могло попасть в огонь или воспламениться от огня.
- з) Хранилище топлива должно отвечать требованиям, предъявляемым соответствующими компетентными организациями.
- Запрещается пользоваться нагревателем при наличии в воздухе паров бензина, разбавителей для красок или других легковоспламеняющихся жидкостей.
- При использовании нагревателем следует соблюдать все местные нормы и правила.
- Нагреватели, работающие вблизи брезента, парусины или подобных ограждающих материалов, должны находиться на безопасном расстоянии от этих материалов. Минимально допустимое безопасное расстояние равно 304,8 см (10 футов). Кроме того, рекомендуется, чтобы указанные материалы были огнестойкими. Они должны быть надежно закреплены во избежание их возгорания или опрокидывания нагревателя под действием ветра.
- Пользуйтесь нагревателем только в хорошо вентилируемых помещениях. Перед использованием нагревателя следует обеспечить площадь притока свежего наружного воздуха не менее 2800 кв.см (3 кв.фута) на каждые 29 кВт номинальной мощности нагревателя.
- Пользуйтесь нагревателем только в тех помещениях, где отсутствуют легковоспламеняющиеся пары и сильная запыленность.
- Используйте только электрический ток, напряжение и частота которого указаны на табличке с параметрами нагревателя.
- Пользуйтесь только заземленным шнуром-удлинителем с трехштырьковым разъемом.

РУКОВОДСТВО ДЛЯ ПОЛЬЗОВАТЕЛЯ

ИНФОРМАЦИЯ ПО ТЕХНИКЕ БЕЗОПАСНОСТИ

продолжение

- Минимальные расстояния от нагревателя до горючих материалов:
 - со стороны выхода воздуха - 250 см (8 футов);
 - сверху, сзади и с боков - 125 см (4 фута).
- Во избежание пожара работающий или неостывший нагреватель должен быть установлен на ровной устойчивой поверхности
- Во избежание разлива топлива перемещайте или храните нагреватель в горизонтальном положении.
- Не позволяйте детям и животным приближаться к нагревателю.
- Неработающий нагреватель должен быть отключен от сети.
- При использовании термостата нагреватель может включиться в любой момент.
- Запрещается пользоваться нагревателем в жилых и спальнях помещениях.
- Не блокируйте воздухозаборное и выхлопное отверстия нагревателя.
- Запрещается передвигать, поднимать, заправлять топливом или обслуживать не остывший, работающий или включенный в сеть нагреватель.
- Запрещается присоединять какие-либо трубы к переднему или заднему торцам нагревателя.

РАСПАКОВКА

1. Удалите все упаковочные материалы, использованные для транспортировки нагревателя.
2. Выньте все предметы из коробки.
3. Проверьте, не был ли нагреватель поврежден при транспортировке. Если нагреватель поврежден, известите об этом дилера, у которого он был приобретен.

СОСТАВ ИЗДЕЛИЯ

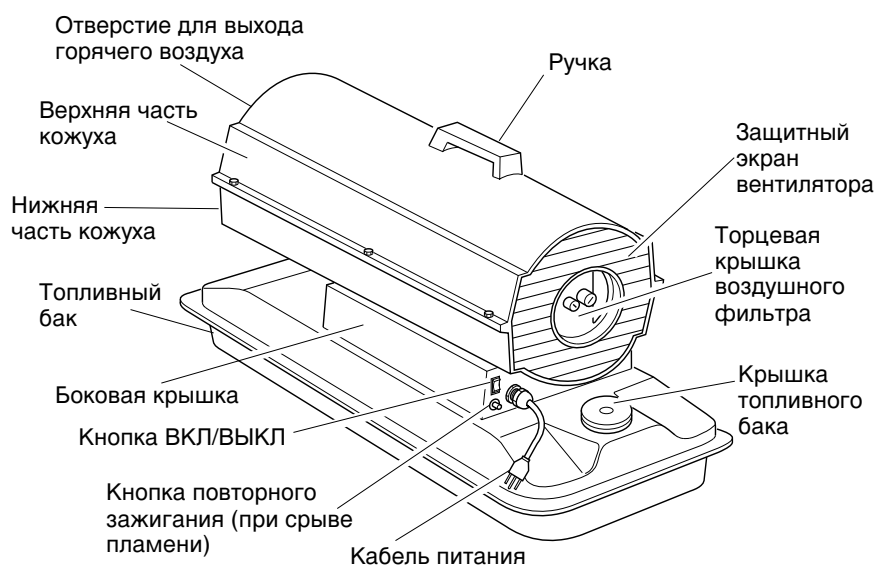


Рис. 1. Нагреватели мощностью 10 и 20 кВт

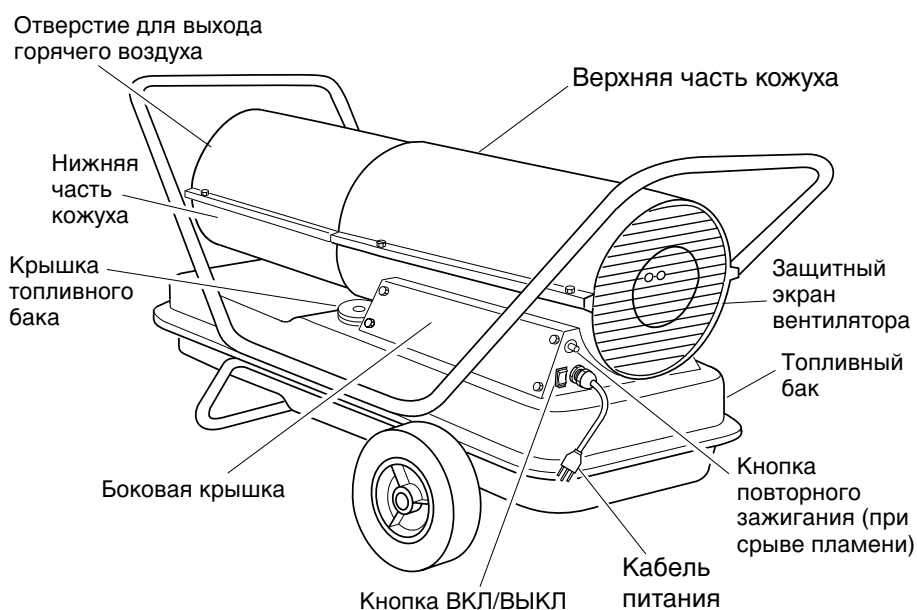


Рис. 2. Нагреватели мощностью 29 и 44 кВт

MASTER ПЕРЕДВИЖНЫЕ ВОЗДУХОНАГРЕВАТЕЛИ С СИСТЕМОЙ НАДДУВА

СБОРКА

(Только для нагревателей мощностью 29 и 44 кВт)

Эти модели нагревателя снабжены колесами и ручками. Колеса, ручки и крепежные детали находятся в транспортировочной коробке.

Необходимый инструмент

- Средняя крестообразная отвертка
- 3/8-дюймовый гаечный ключ с открытым зевом или разводной ключ
- Молоток

1. Вставьте ось в раму крепления колес. Наденьте колеса на ось. **ВАЖНО!** При установке колес удлиненные стороны втулок должны быть направлены к раме крепления колес (см. рис. 3).
2. Наденьте колпачки на концы оси. Закрепите их, слегка постучав молотком.
3. Установите нагреватель на раму крепления колес. Задний конец нагревателя (с отверстием для входа воздуха) должен находиться над колесами. Совместите отверстия фланца топливного бака с отверстиями рамы крепления колес.
4. Установите переднюю и заднюю ручки на фланец топливного бака. Пропустите болты через отверстия ручек, фланца топливного бака и рамы крепления колес. Вставив болт, наденьте на него гайку и завинтите ее вручную до отказа.
5. Установив все болты, туго затяните гайки ключом.

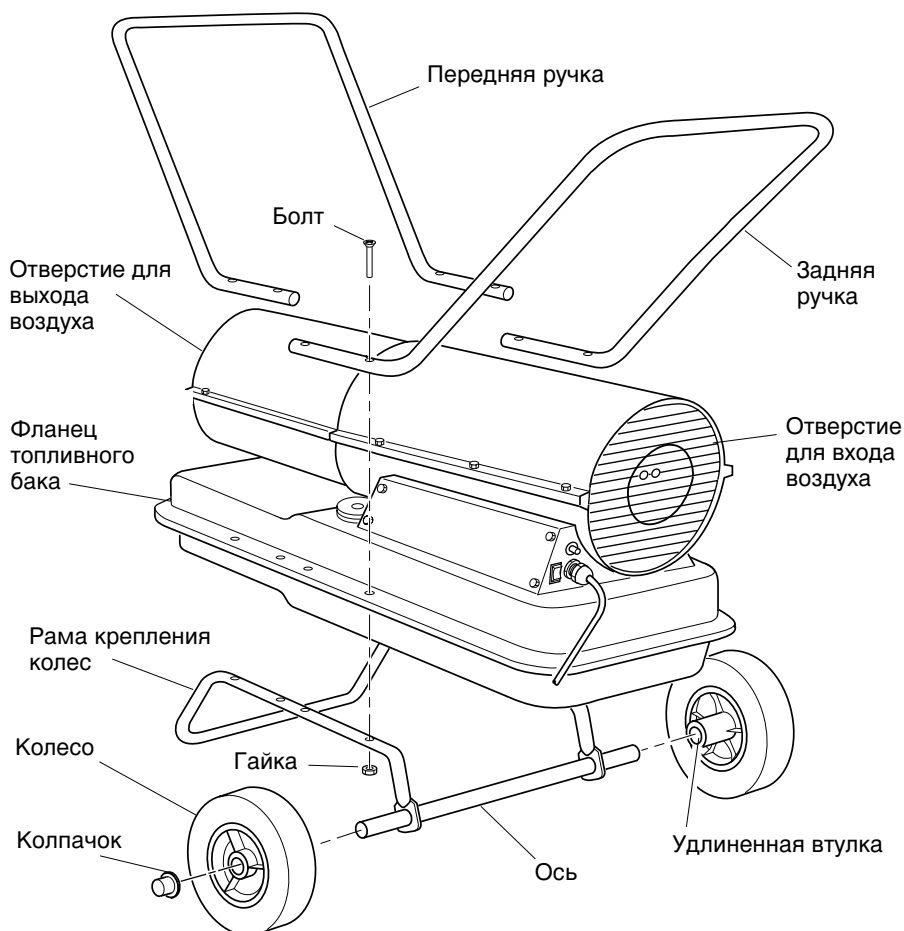


Рис. 3. Сборка колес и ручек; только для нагревателей мощностью 29 и 44 кВт

РУКОВОДСТВО ДЛЯ ПОЛЬЗОВАТЕЛЯ

ПРИНЦИП РАБОТЫ

Система подачи топлива. Под действием воздушного насоса воздух движется по воздухопроводу и проходит через форсунку горелки, заставляя топливо подниматься из бака. Распыленное топливо впрыскивается в камеру сгорания.

Система подачи воздуха. Электродвигатель вращает вентилятор, под действием которого воздух движется внутрь камеры сгорания и вокруг нее. Нагреваясь, он образует поток чистого горячего воздуха на выходе.

Система зажигания. Электронный воспламенитель подает напряжение на свечу зажигания. Свеча поджигает топливно-воздушную смесь.

Система контроля пламени. Эта система выключает нагреватель, если пламя погасло.

ТОПЛИВО

⚠ ОСТОРОЖНО!
Во избежание опасности пожара или взрыва пользуйтесь только керосином или нефтяным топливом № 1. Запрещается использовать бензин, лигроин, разбавители для красок, спирт или другие легковоспламеняющиеся виды топлива.

Не пользуйтесь тяжелым топливом типа нефтяного топлива № 2 или дизельного топлива № 2. Использование тяжелого топлива приводит к

- засорению топливного фильтра и форсунки,
- появлению слоя нагара на свече зажигания и
- необходимости добавки к топливу при очень холодной погоде нетоксичного антиобледенителя.

ВАЖНО! Используйте контейнер, предназначенный ТОЛЬКО ДЛЯ КЕР ОСИНА. Обязательно проверяйте чистоту контейнера. Наличие в контейнере ржавчины, грязи или воды приведет к тому, что система контроля пламени выключит нагреватель. Загрязнения также требуют частой очистки системы подачи топлива.

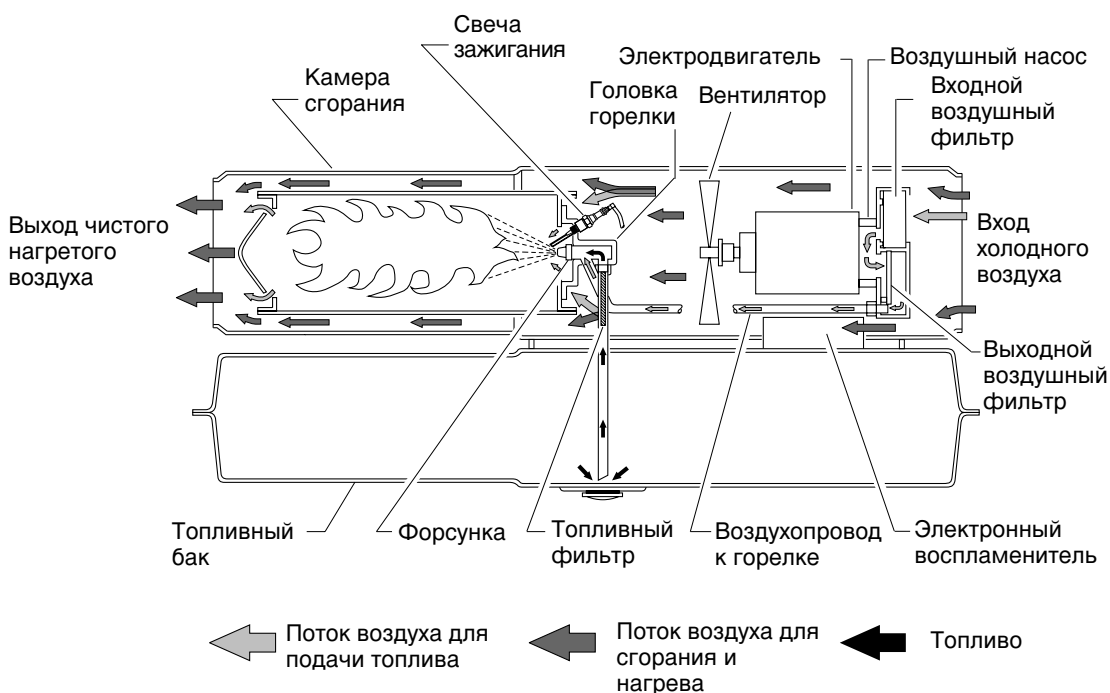


Рис. 4. Схема работающего нагревателя в разрезе

MASTER ПЕРЕДВИЖНЫЕ ВОЗДУХОНАГРЕВАТЕЛИ С СИСТЕМОЙ НАДДУВА

ТРЕБОВАНИЯ К ВЕНТИЛЯЦИИ

⚠ ОСТОРОЖНО! Не нарушайте минимальные требования к вентиляции помещения свежим наружным воздухом. Невыполнение этих требований может привести к отравлению угарным газом. Вентиляция помещения свежим наружным воздухом должна быть обеспечена до пуска нагревателя.

Должно быть обеспечено не менее 2800 кв.см. (3 кв.фута) площади притока свежего наружного воздуха на каждые 29 кВт номинальной мощности нагревателя. При использовании нескольких нагревателей необходимо дополнительное количество свежего воздуха.

Пример. Для работы нагревателя мощностью 44 кВт необходимо, чтобы

- дверь двухместного гаража была поднята на 15 см (6 дюймов),
- дверь одноместного гаража была поднята на 23 см (9 дюймов) или
- два окна высотой 76 см (30 дюймов) были подняты на 31 см (12 дюймов).

ЭКСПЛУАТАЦИЯ

⚠ ОСТОРОЖНО! Изучите и усвойте все предупреждения в разделе информация по технике безопасности. Они необходимы для безопасной эксплуатации данного нагревателя. При пользовании нагревателем следует соблюдать все местные нормы и правила.

Пуск нагревателя

1. Выполните все требования по вентиляции помещения и безопасности
2. Заправьте топливный бак керосином или дизельным топливом.

3. Завинтите крышку топливного бака.
4. Включите кабель питания нагревателя в стандартную заземленную (соединенную с землей) розетку сети 220 В, 50 Гц. При необходимости используйте удлинитель. Пользуйтесь только трехштырьковым заземленным (соединенным с землей) шнуром-удлинителем.

Требования к диаметру провода шнура-удлинителя

При длине кабеля до 30,5 м (100 футов) сечение провода должно составлять 1,0 кв.мм (16-й калибр согласно сортаменту проводов США). При длине кабеля от 30,6 м до 61 м (от 101 фута до 200 футов) сечение провода должно составлять 1,5 кв.мм (14-й калибр согласно сортаменту проводов США).

После перевода кнопки ВКЛ/ВЫКЛ в положение ВКЛ нагреватель должен включиться. Если нагреватель не включается, нажмите кнопку повторного зажигания (при срыве пламени) (см. Рис. 5 и 6).

Кнопка повторного зажигания (при срыве пламени)



Рис. 5. Кнопка повторного зажигания для нагревателей мощностью 10 и 20 кВт

Кнопка повторного зажигания (при срыве пламени)

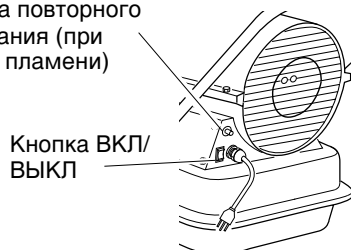


Рис. 6. Кнопка повторного зажигания для нагревателей мощностью 29 и 44 кВт

Остановка нагревателя

1. Переведите кнопку ВКЛ/ВЫКЛ в положение ВЫКЛ

Повторный пуск нагревателя

1. Выждите 2 минуты после остановки нагревателя.
2. Повторите операции раздела Пуск нагревателя.

ХРАНЕНИЕ И ПЕРЕВОЗКА

Примечание. Транспортные компании требуют перевозить топливные баки пустыми.

1. Опорожните топливный бак.

Примечание. У некоторых моделей нагревателя в нижней части топливного бака имеется сливное отверстие с пробкой. При наличии сливного отверстия удалите его пробку и слейте все топливо. Если сливного отверстия нет, слейте топливо через отверстие в крышке топливного бака. Убедитесь в том, что бак полностью опорожнен.

2. При наличии сливного отверстия поставьте на место его пробку.
3. Если в слитом топливе заметен какой-либо осадок, залейте в бак 1-2 л (1-2 кварты) чистого керосина, взболтайте и вновь слейте. Это предотвращает преждевременное засорение фильтров осадком при последующей эксплуатации.
4. Поставьте на место крышку топливного бака или пробку сливного отверстия. Надлежащим образом удалите старое и загрязненное топливо. Свяжитесь с местными автозаправочными станциями, принимающими топливо на переработку для повторного использования.
5. Храните нагреватель в сухом месте. Обеспечьте отсутствие пыли и коррозионных испарений в месте хранения.

ВАЖНО! Не храните в летние месяцы керосин, который будет использован в следующем отопительном сезоне. Использование старого топлива может повредить нагреватель.

РУКОВОДСТВО ДЛЯ ПОЛЬЗОВАТЕЛЯ

ПЛАНОВО-ПРОФИЛАКТИЧЕСКИЙ РЕМОНТ

⚠ ОСТОРОЖНО! Запрещается обслуживать включенный в сеть, работающий или неостывший нагреватель. Возможны тяжелые ожоги и поражение электрическим током.

Деталь

Топливный бак

Периодичность

Промывайте через каждые 150-200 часов эксплуатации или по мере необходимости

Инструкции по обслуживанию

См. раздел *Хранение и перевозка*, стр. 6

Выходной воздушный фильтр и фильтр, отделяющий волокна и пух

Заменяйте через каждые 500 часов эксплуатации или раз в год

См. раздел *Входной и выходной воздушные фильтры и фильтр, отделяющий волокна и пух*, стр. 11

Входной воздушный фильтр

Промывайте с мылом и просушивайте через каждые 500 часов эксплуатации или по мере необходимости

См. раздел *Входной и выходной воздушные фильтры и фильтр, отделяющий волокна и пух*, стр. 11

Топливный фильтр

Прочищайте два раза за отопительный сезон или по мере необходимости

См. раздел *Топливный фильтр*, стр. 9

Свеча зажигания

Прочищайте и регулируйте искровой зазор через каждые 600 часов эксплуатации или заменяйте свечу по мере необходимости

См. раздел *Свеча зажигания*, стр. 10

Лопасты вентилятора

Прочищайте один раз за отопительный сезон или по мере необходимости

См. раздел *Вентилятор*, стр. 14.

Электродвигатель

Не нуждается в обслуживании, имеет постоянную смазку

MASTER ПЕРЕДВИЖНЫЕ ВОЗДУХОНАГРЕВАТЕЛИ С СИСТЕМОЙ НАДДУВА

УСТРАНЕНИЕ НЕИСПРАВНОСТЕЙ

⚠ ОСТОРОЖНО! Запрещается обслуживать включенный в сеть, работающий или неостывший нагреватель. Возможны тяжелые ожоги и поражение электрическим током.

ЗАМЕЧЕННАЯ НЕИСПРАВНОСТЬ

ВОЗМОЖНАЯ ПРИЧИНА

СПОСОБ УСТРАНЕНИЯ

Нагреватель запускается, но через короткое время система контроля пламени останавливает его

1. Неправильное давление насоса
2. Загрязнен входной или/и выходной воздушный фильтр и (или) фильтр, отделяющий волокна и пух
3. Загрязнен топливный фильтр
4. Загрязнена форсунка
5. Загрязнена линза фотоэлемента
6. Неисправное устройство контроля пламени

1. См. раздел *Установка давления насоса*, стр. 11
2. См. раздел *Входной и выходной воздушные фильтры и фильтр, отделяющий волокна и пух*, стр. 11
3. См. раздел *Топливный фильтр*, стр. 9
4. См. раздел *Форсунка*, стр. 12
5. Очистите линзу фотоэлемента.
6. Замените устройство контроля пламени.

Нагреватель не запускается, хотя электродвигатель работает короткое время

1. Неправильное давление насоса
2. Нагар на свече зажигания и(или) неправильный зазор
3. Загрязнен топливный фильтр
4. Загрязнена форсунка
5. Вода в топливном баке

1. См. раздел *Установка давления насоса*, стр. 11
2. См. раздел *Свеча зажигания*, стр. 10
3. См. раздел *Топливный фильтр*, стр. 9
4. См. раздел *Форсунка*, стр. 12
5. Опорожните топливный бак и промойте его чистым керосином. См. раздел *Хранение и перевозка*, стр. 6

⚠ ОСТОРОЖНО! Высокое напряжение!

6. Электронный воспламенитель не соединен с корпусом (не заземлен)
7. Неисправен электронный воспламенитель

6. Обеспечьте надежное соединение электронного воспламенителя с корпусом.
7. Замените электронный воспламенитель.

При включении нагревателя в сеть электродвигатель не включается, а вентилятор вращается медленно или не вращается совсем

1. Система контроля пламени не приведена в исходное состояние
2. Заедание ротора насоса

1. Нажмите кнопку повторного зажигания. См. рис. 5 и 6 на стр. 6
2. Если вентилятор трудно повернуть, см. раздел *Ротор насоса*, стр. 13

РУКОВОДСТВО ДЛЯ ПОЛЬЗОВАТЕЛЯ

ПРОЦЕДУРЫ ТЕХНИЧЕСКОГО ОБСЛУЖИВАНИЯ

⚠ ОСТОРОЖНО! Запрещается обслуживать включенный в сеть, работающий или неостывший нагреватель. Возможны тяжелые ожоги и поражение электрическим током.

Снятие верхней части кожуха

1. Снимите винты и стопорные шайбы вдоль каждой из сторон нагревателя, пользуясь 5/16-дюймовым гайковертом. Эти винты скрепляют верхнюю и нижнюю часть кожуха.
2. Снимите верхнюю часть кожуха.
3. Снимите защитный экран вентилятора.

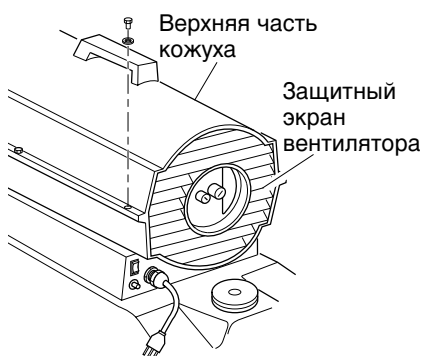


Рис. 7. Снятие верхней части кожуха, нагреватели мощностью 10 и 20 кВт



Рис. 8. Снятие верхней части кожуха, нагреватели мощностью 29 и 44 кВт

Топливный фильтр (Нагреватели мощностью 10 и 20 кВт)

1. Снимите винты боковой крышки, пользуясь 5/16-дюймовым гайковертом.
2. Снимите боковую крышку.
3. Стяните топливопровод с наконечника топливного фильтра.
4. Осторожно извлеките втулку и топливный фильтр из топливного бака.
5. Промойте топливный фильтр чистым топливом и снова установите его в бак.
6. Подсоедините топливопровод к наконечнику топливного фильтра.
7. Установите боковую крышку.

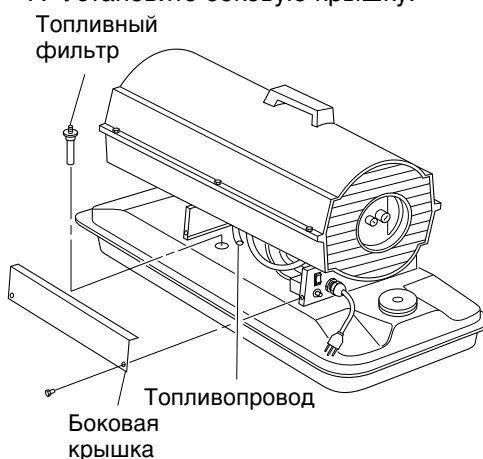


Рис. 9. Снятие топливного фильтра, нагреватели мощностью 10 и 20 кВт

Топливный фильтр (Нагреватели мощностью 29 и 44 кВт)

1. Снимите винты боковой крышки, пользуясь 5/16-дюймовым гайковертом.
2. Снимите боковую крышку.
3. Стяните верхний топливопровод с наконечника топливного фильтра.
4. Осторожно извлеките втулку, нижний топливопровод и топливный фильтр из топливного бака.

5. Промойте топливный фильтр чистым топливом и вновь установите его в бак.
6. Подсоедините верхний топливопровод к наконечнику топливного фильтра.
7. Установите боковую крышку.

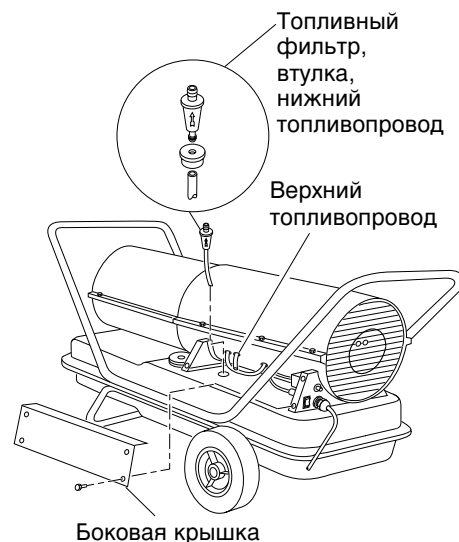


Рис. 10. Снятие топливного фильтра, нагреватели мощностью 29 и 44 кВт

MASTER ПЕРЕДВИЖНЫЕ ВОЗДУХОНАГРЕВАТЕЛИ С СИСТЕМОЙ НАДДУВА

Свеча зажигания

(нагреватель мощностью 10 кВт)

1. Снимите верхнюю часть кожуха (см. стр. 9).
2. Снимите вентилятор (см. стр. 14).
3. Снимите топливопровод и воздухопровод с узла форсунки.
4. Снимите со свечи зажигания ее провод.
5. Снимите два винта, пользуясь 5/16-дюймовым гайковертом, и снимите планку горелки.
6. Зажмите шестигранный корпус свечи зажигания в тисках.
7. Пользуясь 11/16-дюймовым гаечным ключом с открытым зевом, снимите крепежную гайку свечи зажигания.
8. Снимите планку горелки со свечи зажигания.
9. Очистите электроды свечи зажигания и отрегулируйте зазор между ними до величины 1,4 мм (0,055 дюйма).
10. Снова наденьте планку горелки на свечу зажигания. Поверните планку горелки, чтобы установить электроды свечи зажигания в нужное положение (см. рис. 13).
11. Затяните свечу зажигания крепежной гайкой.
12. Высвободите шестигранный корпус свечи зажигания из тисков.
13. Снова установите планку горелки на камеру сгорания.
14. Прикрепите к свече зажигания ее провод.
15. Прикрепите топливопровод и воздухопровод к узлу форсунки.
16. Установите вентилятор (см. стр. 14).
17. Установите защитный экран вентилятора и верхнюю часть кожуха.

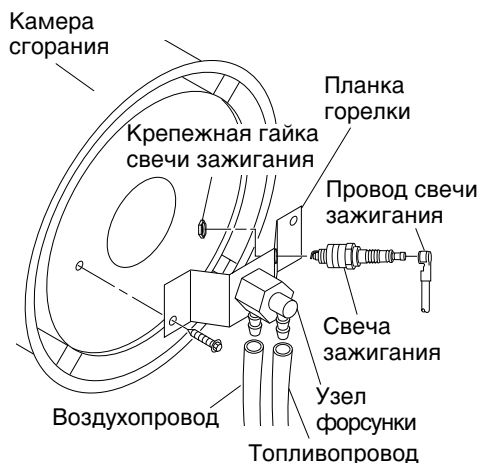


Рис. 11. Снятие свечи зажигания, нагреватель мощностью 10 кВт



Рис. 12. Регулировка зазора свечи зажигания, нагреватель мощностью 10 кВт

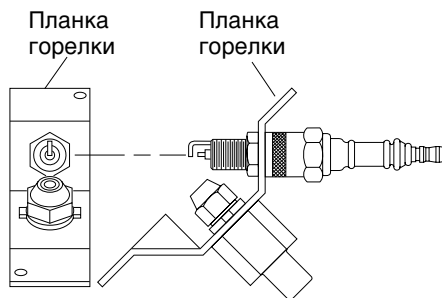


Рис. 13. Поворот свечи зажигания, только для нагревателя мощностью 10 кВт

Свеча зажигания

(нагреватели мощностью 20, 29 и 44 кВт)

1. Снимите верхнюю часть кожуха (см. стр. 9).
2. Снимите вентилятор (см. стр. 14).
3. Снимите со свечи зажигания ее провод.
4. Пользуясь 13/16-дюймовым гаечным ключом с открытым зевом, выньте свечу зажигания из головки горелки.
5. Очистите электроды свечи зажигания и отрегулируйте зазор между ними следующим образом:
нагреватели мощностью 20 и 29 кВт - до величины зазора 1,9 мм (0,075 дюйма)
нагреватель мощностью 44 кВт - до величины зазора 2,8 мм (0,110 дюйма)
6. Установите свечу зажигания в головку горелки.
7. Прикрепите к свече зажигания ее провод.
8. Установите вентилятор (см. стр. 14).
9. Установите защитный экран вентилятора и верхнюю часть кожуха.

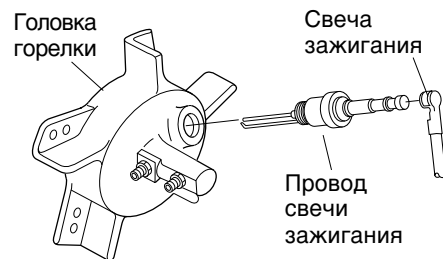


Рис. 14. Снятие свечи зажигания, нагреватели мощностью 20, 29 и 44 кВт



Рис. 15. Регулировка зазора свечи зажигания, нагреватели мощностью 20, 29 и 44 кВт

РУКОВОДСТВО ДЛЯ ПОЛЬЗОВАТЕЛЯ

Входной и выходной воздушные фильтры и фильтр, отделяющий волокна и пух

1. Снимите верхнюю часть кожуха (см. стр. 9).
2. Пользуясь 5/16-дюймовым гайковертом, снимите винты торцевой крышки фильтров. 2. Пользуясь 5/16-дюймовым гайковертом, снимите винты торцевой крышки фильтров.
3. Снимите торцевую крышку фильтров.
4. Замените выходной воздушный фильтр и фильтр, отделяющий волокна и пух.
5. Промойте или замените входной воздушный фильтр (см. раздел Планово-профилактический ремонт, стр. 7).
6. Установите торцевую крышку фильтров.
7. Установите защитный экран вентилятора и верхнюю часть кожуха.

ВАЖНО! Не смазывайте фильтры маслом.

Регулировка давления насоса

1. Выньте заглушку отверстия для манометра из торцевой крышки фильтров.
2. Вставьте в отверстие вспомогательный манометр (деталь - HA1180).
3. Включите нагреватель (см. раздел Эксплуатация, стр. 6). Выждите, пока электродвигатель полностью наберет обороты.
4. Отрегулируйте давление насоса. Поворот перепускного клапана по часовой стрелке увеличивает, а против часовой стрелки - уменьшает давление. См. справа от текста таблицу характеристик, с указанием соответствующего давления для каждой модели.
5. Снимите манометр и закройте заглушкой отверстие для манометра в торцевой крышке фильтров.

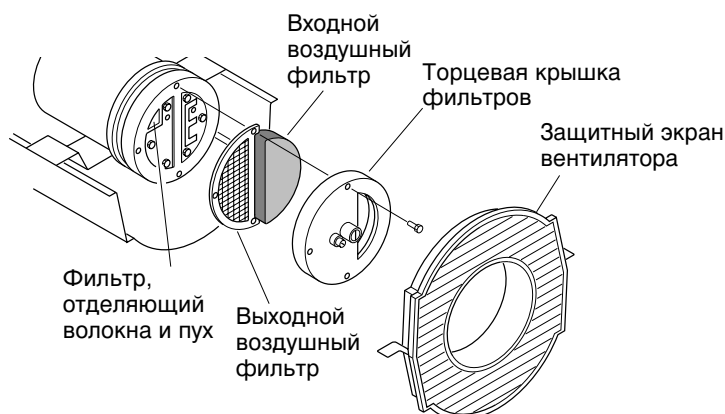


Рис. 16. Входной и выходной воздушные фильтры и фильтр, отделяющий волокна и пух, нагреватели мощностью 10 и 20 кВт

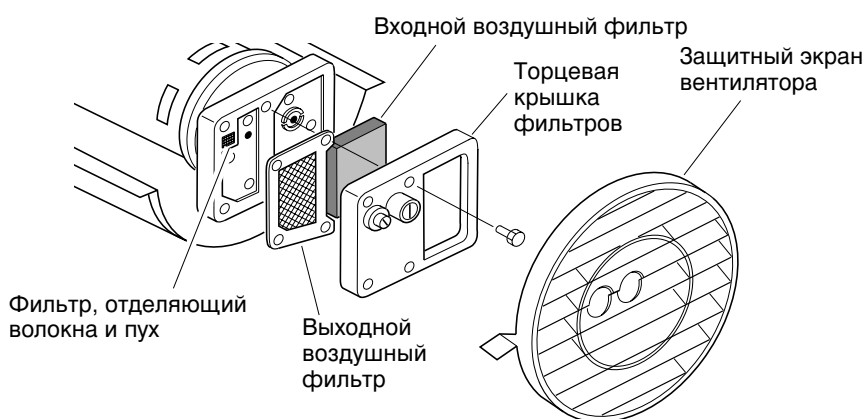


Рис. 17. Входной и выходной воздушные фильтры и фильтр, отделяющий волокна и пух, нагреватели мощностью 29 и 44 кВт

Модель	Давление
	насоса (фунт/кв. дюйм /бар)
10 кВт	2,9/0,200
20 кВт	5,2/0,359
29 кВт	3,9/0,269
44 кВт	4,8/0,331

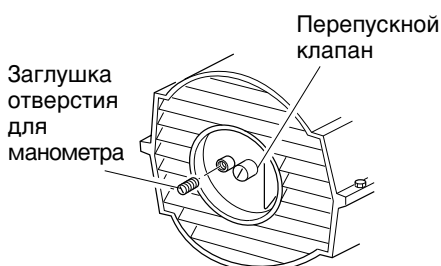


Рис. 18. Снятие заглушки отверстия для манометра

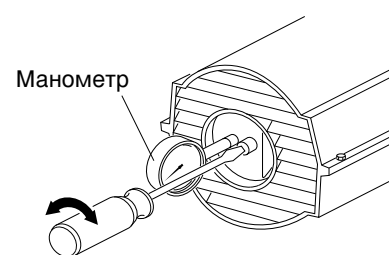


Рис. 19. Регулировка давления насоса

MASTER. ПЕРЕДВИЖНЫЕ ВОЗДУХОНАГРЕВАТЕЛИ С СИСТЕМОЙ НАДДУВА

Форсунка,

(нагреватель мощностью 10 кВт)

1. Снимите верхнюю часть кожуха (см. стр. 9).
2. Снимите вентилятор (см. стр. 14).
3. Снимите топливопровод и воздухопровод с узла форсунки.
4. Поверните узел форсунки на 1/4 оборота влево и снимите его, оттянув к электродвигателю.
5. Установите пластмассовый шестигранный корпус в тиски и слегка затяните.
6. При помощи 5/8-дюймового торцевого гаечного ключа осторожно извлеките форсунку из ее держателя.
7. Продуйте форсунку спереди сжатым воздухом для очистки от загрязнений.
8. Проверьте уплотнение форсунки на отсутствие повреждений.
9. До упора установите форсунку в держателе. При помощи 5/8-дюймового торцевого гаечного ключа затяните еще на 1/3 оборота (4,5-5,1 Нм/40-45 фунто-дюймов).
10. Присоедините узел форсунки к планке горелки.
11. Присоедините топливопровод и воздухопровод к узлу форсунки.
12. Установите вентилятор (см. стр. 12).
13. Установите защитный экран вентилятора и верхнюю часть кожуха.

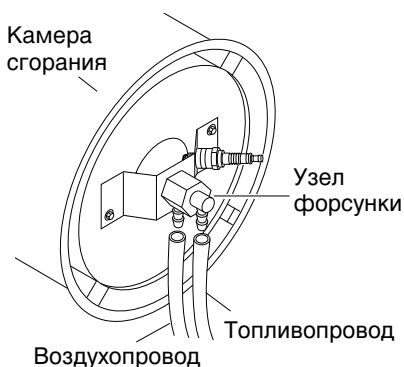


Рис. 20. Снятие воздухопровода и топливопровода, нагреватель мощностью 10 кВт

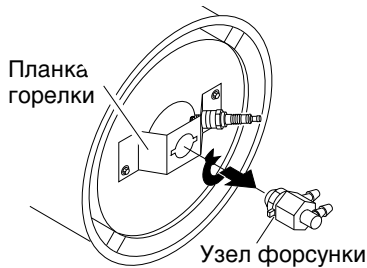


Рис. 21. Снятие узла форсунки, нагреватель мощностью 10 кВт

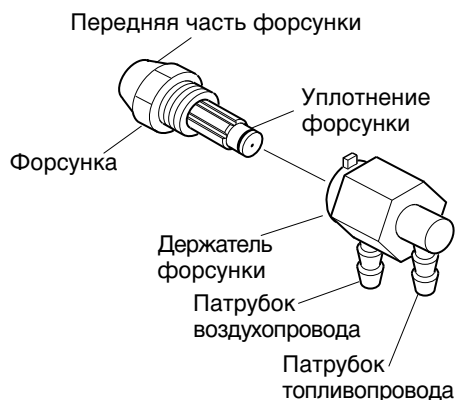


Рис. 22. Форсунка и держатель форсунки, нагреватель мощностью 10 кВт

Форсунка

(нагреватели мощностью 20, 29 и 44 кВт)

1. Снимите верхнюю часть кожуха (см. стр. 9).
2. Снимите вентилятор (см. стр. 14).
3. Снимите топливопровод и воздухопровод с узла форсунки.
4. Снимите со свечи зажигания ее провод.
5. Пользуясь 13/16-дюймовым гаечным ключом с открытым зевом, выньте свечу зажигания из головки горелки.
6. Снимите три винта, пользуясь 5/16-дюймовым гайковертом, и извлеките головку горелки из камеры сгорания.
7. Установите головку горелки в тиски и слегка затяните.
8. При помощи 5/8-дюймового торцевого гаечного ключа осторожно извлеките форсунку из головки горелки (см. рис. 24).

9. Продуйте форсунку спереди сжатым воздухом для очистки от загрязнений.
10. Проверьте уплотнение форсунки на отсутствие повреждений.
11. Установите форсунку в головку горелки и туго затяните (9,1-12,4 Нм/80-110 фунто-дюймов).
12. Прикрепите головку горелки к камере сгорания.
13. Установите свечу зажигания в головку горелки.
14. Прикрепите к свече зажигания ее провод.
15. Подсоедините топливопровод и воздухопровод к головке горелки.
16. Установите вентилятор (см. стр. 14).
17. Установите защитный экран вентилятора и верхнюю часть кожуха.

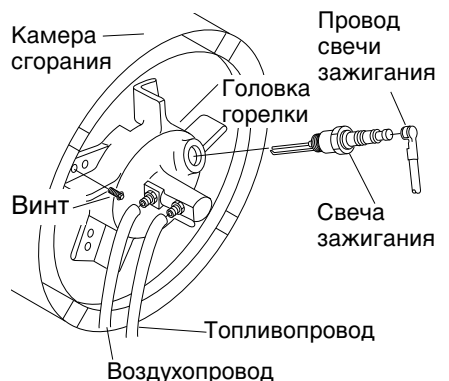


Рис. 23. Снятие головки горелки, нагреватели мощностью 20, 29 и 44 кВт

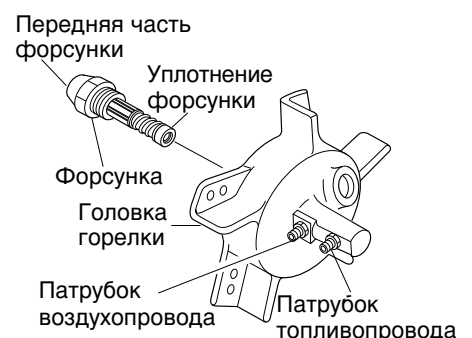


Рис. 24. Снятие форсунки, нагреватели мощностью 20, 29 и 44 кВт

РУКОВОДСТВО ДЛЯ ПОЛЬЗОВАТЕЛЯ

Ротор насоса

(Последовательность устранения заедания ротора)

1. Снимите верхнюю часть кожуха (см. стр. 9).
2. Пользуясь 5/16-дюймовым гайковертом, снимите винты торцевой крышки фильтров.
3. Снимите торцевую крышку фильтров и воздушные фильтры.
4. Пользуясь 5/16-дюймовым гайковертом, снимите винты плиты насоса.
5. Снимите плиту насоса.
6. Извлеките ротор, вкладыш и лопатки ротора.
7. Проверьте насос на загрязнения. При наличии загрязнений продуйте насос сжатым воздухом.
8. Установите вкладыш и ротор.
9. Проверьте зазор ротора. При необходимости отрегулируйте зазор на 0,076- 0,101 мм (0,003-0,004 дюйма) (см. рис. 27).

Примечание. Проверните ротор на полный оборот, чтобы убедиться в том, что зазор составляет 0,076-0,101 мм (0,003-0,004 дюйма) в самом тесном месте. В случае необходимости, отрегулируйте зазор.

10. Установите лопатки ротора, плиту насоса, воздушные фильтры и торцевую крышку фильтров.
11. Установите защитный экран вентилятора и верхнюю часть кожуха.
12. Отрегулируйте давление насоса (см. стр. 11).

Примечание. Если ротор по-прежнему заедает, выполните следующие операции.

13. Выполните операции, указанные в пунктах 1-6 (см. выше).
14. На плоскую поверхность положите лист мелкозернистой абразивной бумаги (зернистость 600). Без нажима проведите четыре раза ротором по бумаге, описывая фигуры типа восьмерки (см. рис. 28).

15. Вновь установите вкладыш и ротор.
16. Выполните операции, указанные в пунктах 10-12 (см. выше).

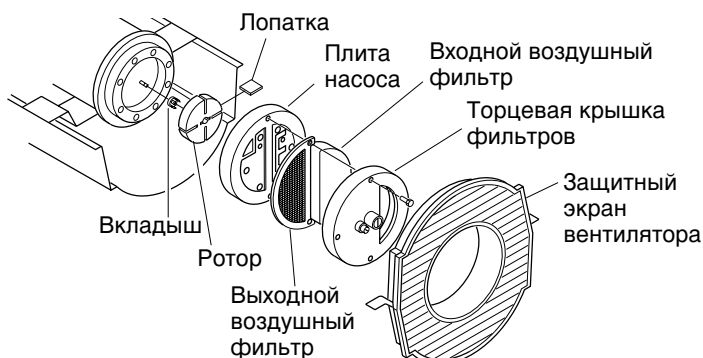


Рис. 25. Расположение ротора, нагревателя мощностью 10 и 20 кВт

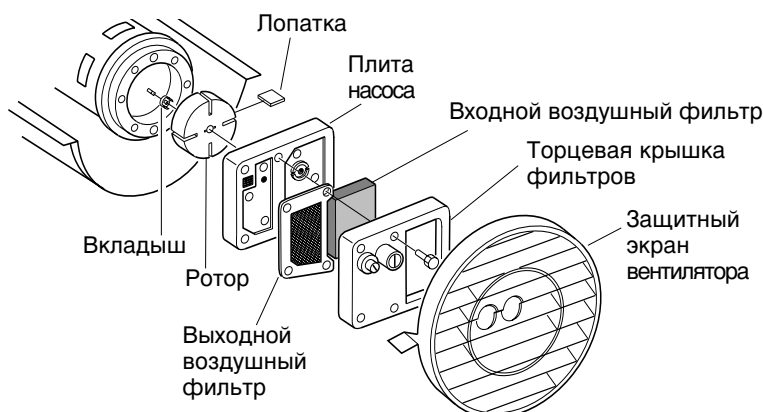


Рис. 26. Расположение ротора, нагревателя мощностью 29 и 44 кВт

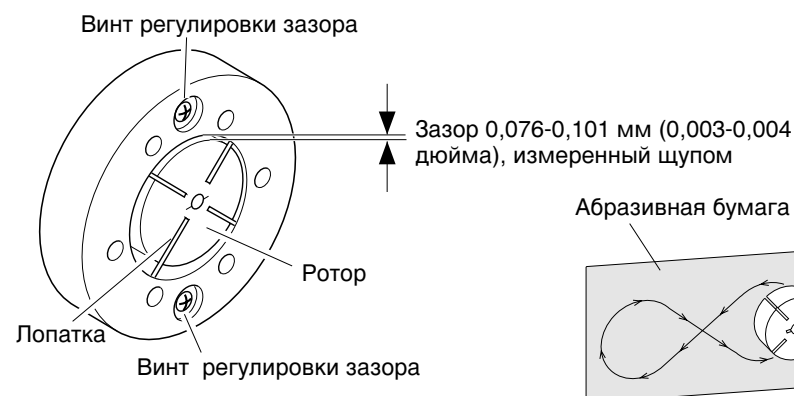


Рис. 27. Расположение винтов регулировки зазора

Рис. 28. Зачистка ротора абразивной бумагой

MASTER ПЕРЕДВИЖНЫЕ ВОЗДУХОНАГРЕВАТЕЛИ С СИСТЕМОЙ НАДДУВА

Вентилятор

ВАЖНО! Прежде чем извлечь электродвигатель из вентилятора, снимите вентилятор с вала электродвигателя. В противном случае вентилятор может погнуться под весом электродвигателя.

1. Снимите верхнюю часть кожуха (см. стр. 9).
2. С помощью 2,5-дюймового универсального ключа ослабьте установочный винт, крепящий вентилятор к валу электродвигателя.
3. Снимите вентилятор с вала электродвигателя.
4. Протрите вентилятор мягкой тканью, смоченной керосином или растворителем.
5. Тщательно просушите вентилятор.
6. Наденьте вентилятор на вал электродвигателя. Установите втулку вентилятора заподлицо с торцом вала электродвигателя (см. рис. 30).

7. Поместите установочный винт на плоский срез вала электродвигателя. Плотно затяните установочный винт (4,5-5,6 Нм/40-50 фунто-дюймов).
8. Установите защитный экран вентилятора и верхнюю часть кожуха.

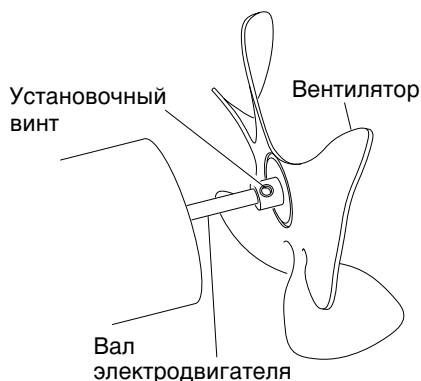


Рис. 29. Расположение вентилятора, вала электродвигателя и установочного винта

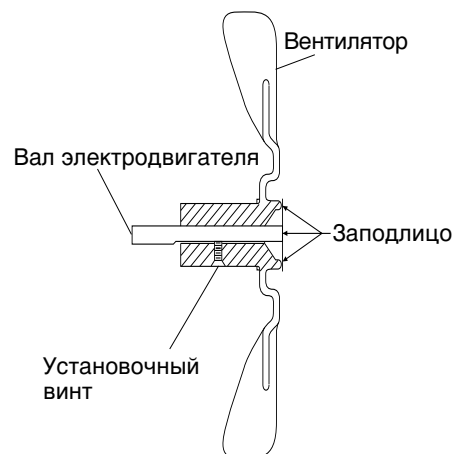


Рис. 30 - Поперечный разрез вентилятора

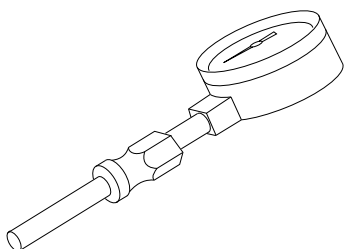
ТЕХНИЧЕСКИЕ ХАРАКТЕРИСТИКИ

Номинальная выходная мощность, кВт	10	20	29	44
Топливо	Только керосин или дизельное топливо			
Емкость топливного бака (галлоны США/литры)	4,0/15,1	5,0/18,9	11,5/43,5	11,5/43,5
Расход топлива (галлоны в час/литры в час)	0,26/1,0	0,49/1,85	0,70/2,7	1,1/4,1
Электропитание	230 В/50 Гц (Одинаковое для все моделей)			
Ток (в нормальном режиме)	0,8	1,0	1,2	1,2
Выход горячего воздуха (куб.фут в мин./куб.м. в мин)	140/4	225/6,4	425/12	500/14,2
Скорость вращения электродвигателя	1425	2850	2850	2850

РУКОВОДСТВО ДЛЯ ПОЛЬЗОВАТЕЛЯ

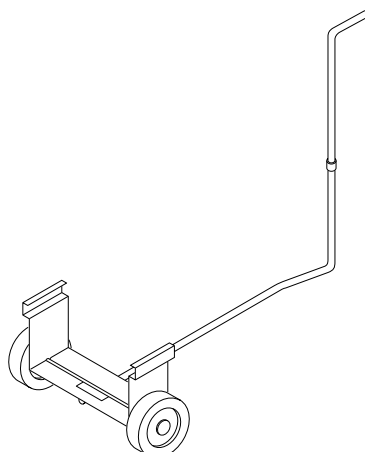
ВСПОМОГАТЕЛЬНЫЕ ПРИСПОСОБЛЕНИЯ

Эти вспомогательные приспособления вы можете приобрести у местного дилера.



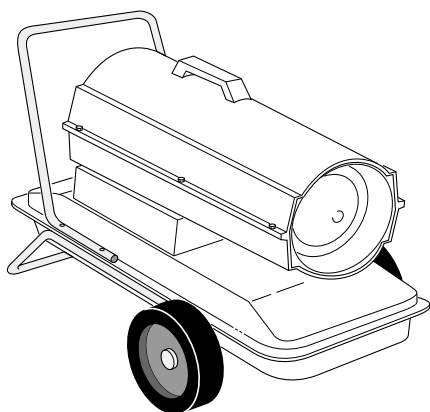
ВОЗДУШНЫЙ МАНОМЕТР 4109.427

Используется для всех моделей нагревателя. Предназначен для проверки давления насосов.



СТАНДАРТНЫЕ КОЛЕСА И РУЧКА - 4103.930

Комплект делает ваш нагреватель еще более подвижным и удобным. Легко собирается. Предназначен для нагревателей мощностью 10 и 20 кВт.



КОЛЕСА И РУЧКА ДЛЯ ТЯЖЕЛЫХ УСЛОВИЙ РАБОТЫ 4103.925

Комплект предназначен для тяжелых условий работы. Он делает ваш нагреватель еще более подвижным и удобным.

Предназначен для нагревателей мощностью 10 и 20 кВт.

ГАРАНТИИ И РЕМОНТНОЕ ОБСЛУЖИВАНИЕ

СЕРТИФИКАТ ОБОРУДОВАНИЯ ОБЩЕГО НАЗНАЧЕНИЯ ОГРАНИЧЕННАЯ ГАРАНТИЯ НА ОДИН (1) ГОД

DESA Italia гарантирует, что проданные ею новые Изделия будут свободны от дефектов материалов или изготовления в течение периода в один (1) год со дня доставки первому пользователю при выполнении следующих условий.

Данная Гарантия прямо оговаривает, что ответственность и обязательства DESA Italia ограничиваются ремонтом или заменой, по выбору DESA Italia, любых частей, которые, согласно основанному на осмотре мнению DESA Italia, могли содержать дефекты материалов или изготовления при отправке с завода. Эти части бесплатно предоставляются пользователю в любом уполномоченном заводом центре обслуживания или самим заводом в рабочие часы. Данная Гарантия не относится к комплектующим деталям или принадлежностям Изделий, не изготовленным DESA Italia и имеющим гарантии соответствующих изготовителей, а также к плановому техническому обслуживанию (например, к регулировке давления) или к частям, используемым при плановом техобслуживании (например, к фильтрам или свечам зажигания). Замена или ремонт деталей, установленных в Изделии, на которое распространяется данная Гарантия, гарантируются только на оставшуюся часть периода Гарантии, как если бы эти детали были исходными компонентами указанного изделия. DESA ITALIA НЕ ПРЕДСТАВЛЯЕТ КАКИХ-ЛИБО ИНЫХ ЯВНЫХ ГАРАНТИЙ. В ПРЕДЕЛАХ, РАЗРЕШЕННЫХ ЗАКОНОМ, DESA INTERNATIONAL НЕ ПРЕДОСТАВЛЯЕТ НИКАКИХ ПОДРАЗУМЕВАЕМЫХ ГАРАНТИЙ И НЕ ГАРАНТИРУЕТ ПРИГОДНОСТЬ ДЛЯ ПРОДАЖИ ИЛИ ПРИГОДНОСТЬ ДЛЯ ТОЙ ИЛИ ИНОЙ КОНКРЕТНОЙ ЦЕЛИ. В ЛЮБОМ СЛУЧАЕ ПОДРАЗУМЕВАЕМЫЕ ГАРАНТИИ, В ТОМ ЧИСЛЕ

ГАРАНТИИ ПРИГОДНОСТИ ДЛЯ ПРОДАЖИ И ПРИГОДНОСТИ ДЛЯ КОНКРЕТНОЙ ЦЕЛИ, ОГРАНИЧЕНЫ СРОКОМ ДЕЙСТВИЯ ДАННОЙ ЯВНОЙ ГАРАНТИИ.

Любые транспортные расходы, расходы на установку, таможенные платежи, налоги или любые другие расходы, обязан нести пользователь. Обязательства DESA Italia согласно данной ограниченной гарантии не включают какой-либо компенсации прямого, косвенного, случайного или логически вытекающего ущерба или задержки. При запросе со стороны DESA Italia Изделия или их части, в отношении которых предъявлено вытекающее из Гарантии требование, должны быть возвращены заводу с предварительной оплатой транспортных расходов пользователем. Любое неправильное использование Изделия, в том числе эксплуатация после обнаружения дефектных или изношенных частей, эксплуатация с перегрузкой, использование деталей, не утвержденных DESA Italia, любые изменения или ремонт, произведенные не DESA Italia, которые, по мнению DESA Italia, неблагоприятно сказываются на Изделии, прекращают действие настоящей Гарантии.

НИКАКОЙ РАБОТНИК ИЛИ ПРЕДСТАВИТЕЛЬ DESA INTERNATIONAL НЕ ВПРАВЕ ИЗМЕНЯТЬ ДАННУЮ ГАРАНТИЮ НИ В КАКОМ ОТНОШЕНИИ ИЛИ ДАВАТЬ КАКУЮ БЫ ТО НИ БЫЛО ДРУГУЮ ГАРАНТИЮ, ЗА ИСКЛЮЧЕНИЕМ СЛУЧАЕВ, КОГДА ТАКИЕ ИЗМЕНЕНИЯ ДЕЛАЮТСЯ В ПИСЬМЕННОМ ВИДЕ И СКРЕПЛЕНЫ ПОДПИСЬЮ ОФИЦИАЛЬНОГО ЛИЦА ИЗ ГЛАВНОГО УПРАВЛЕНИЯ DESA ITALIA.

ГАРАНТИЙНОЕ ОБСЛУЖИВАНИЕ

При обращении к заводу всегда указывайте модель и серийный номер изделия.

DESA International сохраняет за собой право изменять приведенные выше спецификации в любое время без предварительного оповещения. Единственная применимая Гарантия - это наша письменная Гарантия. Никаких других Гарантий, явных или подразумеваемых, не существует.

«Руководство по обслуживанию» можно заказать в Отделе технического обслуживания по следующему адресу:

DESATM
INTERNATIONAL
Corporate Headquarters
2701 Industrial Drive
P.O. Box 90004
Bowling Green, Kentucky 42102-9004
U.S.A.

HORDOZHATÓ, GÉPI LÉGFŰTŐ BERENDEZÉS

FELHASZNÁLÓI KÉZIKÖNYV

FONTOS: Olvassa el és jegyezze meg jól az ebben a kézikönyvben leírtakat a fűtőberendezés összeszerelése, üzembehelyezése vagy javítása előtt. A fűtőberendezés helytelen használata komoly sérülést okozhat. Tartsa meg ezt a kézikönyvet, hogy később is tudja használni.

BIZTONSÁGI TÁJÉKOZTATÓ

FIGYELMEZTETÉS!ek

FONTOS: Olvassa el ezt a felhasználói kézikönyvet gondosan végig, mielőtt megkísérelné a fűtőberendezés összeszerelését, működtetését vagy javítását. A fűtőberendezés helytelen használata égés, tűz, robbanás, áramütés és szénmonoxid mérgezés következtében komoly sérülést vagy halált is okozhat.

VESZÉLY! : A szénmonoxid-mérgezés halált okozhat!

Szénmonoxid-mérgezés: A szénmonoxid-mérgezés korai tünetei az in! uenzára hasonlítanak, fejfájással, szédüléssel és/vagy émelygéssel járnak. Ha ilyen tüneteket észlel, a fűtőberendezés nem működik helyesen. **Azonnal menjen friss levegőre!** Javíttassa meg a fűtőberendezést. Egyes emberekre jobban hat a szénmonoxid, mint másokra. Ilyenek a terhes nők, a szív- vagy tüdőbetegségben vagy vérszegénységben szenvedők, az alkohol hatása alatt álló személyek, vagy nagy tengerszint feletti magasságban lévők.

Bizonyosodjék meg róla, hogy elolvasás után minden figyelmeztetést megértett. Úgy tegye el ezt a könyvet, hogy máskor is használhassa. Ez az Ön kalauza a fűtőberendezés biztonságos és szakszerű használatához.

- Tűz vagy robbanás elkerülése érdekében csak diesel vagy könnyű fűtőolajat használjon. Soha ne használjon benzint, könnyűbenzint, festékhígítót, alkoholt vagy más könnyen gyulladó üzemanyagot.
- A fűtőolaj betöltése
- a) Az fűtőolajfeltöltést végző személyzetnek képzettnek kell lennie, tökéletesen tisztában kell lennie a gyártó előírásaival és a fűtőberendezések biztonságos fűtőolajfeltöltésére vonatkozó rendelkezésekkel.
- b) Csak a fűtőberendezés adattábláján megadott típusú fűtőolajat szabad használni.
- c) A fűtőolajfeltöltés előtt minden lángot, a gyújtólángot is beleértve, ha van ilyen, el kell zárni, és meg kell várni, amíg a fűtőberendezés lehül.
- d) A feltöltés alatt minden fűtőolajcsövet és fűtőolajcsatlakozást ellenőrizni kell szivárgás szempontjából. Minden szivárgást ki kell küszöbölni mielőtt a fűtőberendezést ismét üzembe állítanák.
- e) Semmiképpen sem szabad a fűtőberendezés egy napi szükségleténél több fűtőolajat tárolni az épületen belül, a fűtőberendezés közelében. A fűtőolaj tároló az épületen kívül legyen.
- f) Minden fűtőolaj tárolására szolgáló tartály legalább 8 m legyen a fűtőberendezésektől, hegesztőpisztolyoktól, hegesztőberendezésektől és hasonló hőforrásoktól (kivétel: a fűtőberendezéssel egy egységet alkotó fűtőolajtartály).
- g) Ahol lehetséges, a fűtőolaj tárolását olyan területekre kell korlátozni, ahonnan a padló résein át nem csepeghet le

olaj az alatta lévő szintre, vagy nem gyulladhat meg az alsó szinten lévő tűztől.

- h) A fűtőolajat az illetékes hatóság előírásainak megfelelően kell tárolni.
- Soha ne használja a fűtőberendezést olyan helyen ahol-benzin, festékhígítószer vagy más, könnyen lobbanó gőzök találhatók.
- A fűtőberendezés használata során tartson be minden helyi előírást és szabályt.
- A vászon, ponyva, vagy hasonló burkolóanyagok közelében használt fűtőberendezés biztonságos távolságban legyen ezektől az anyagoktól. Az ajánlott minimális biztonsági távolság 3 m. Ajánlatos továbbá, hogy ezek a burkolóanyagok égéskésleltető típusúak legyenek. A burkolóanyagokat biztonságosan rögzíteni kell nehogy meggyulladjanak, vagy szél következtében felborítsák a fűtőberendezést.
- Csak jól szellőztetett helyiségben használja a berendezést. A fűtőberendezés üzembehelyezése előtt gondoskodjék legalább 2800 cm² szabad nyílásról a teljesítmény minden 30 kW-jára, melyen át friss, külső levegő áramolhat be.
- Csak gyúlékony gőzöktől mentes és nem túl poros helyen használja a berendezést.
- Csak az adattáblán megadott villamos feszültséget és frekvenciát használja.
- Csak háromágú csatlakozóval ellátott földelt hosszabbítókábel használjon.
- A fűtőberendezés minimális távolsága éghető anyagoktól: Kifűvónyílás: 250 cm; Oldalak, tető és hátsó oldal: 125 cm
- A fűtőberendezést szilárd és vízszintes felületen helyezze el, ha a berendezés meleg, működik, vagy tűzveszély áll fenn.
- A fűtőberendezés mozgatása vagy tárolása során tartsa a fűtőberendezést vízszintes helyzetben, különben a fűtőolaj kifolyhat.
- A gyermekeket és állatokat tartsa távol a fűtőberendezéstől.
- Ha a fűtőberendezést nem használja, húzza ki a villamos csatlakozót.
- Ha a fűtőberendezést termosztát vezéri, a berendezés bármely pillanatban beindulhat.
- Soha ne használja a fűtőberendezést lakószobában vagy hálóhelyiségben.
- Soha ne torlaszolja el a fűtőberendezés levegőbeszívó (hátsó) és levegőkifűvő (elülső) nyílását.
- Soha ne mozgassa, tölts fel vagy javítsa a meleg, működő vagy elektromosan csatlakoztatott fűtőberendezést.
- Soha ne csatlakoztasson csővezeték a fűtőberendezés elejéhez vagy hátuljához.

A BERENDEZÉS FŐBB RÉSZEI

(*1. vagy 2. ábra, 2. oldal*)

A. Meleg levegő kifűvő, **B.** Fogantyú, **C.** Ventilátor védőrács, **D.** Levegőszűrő végfedél, **E.** Tanksapka, **F.** Tápkábel, **G.** BE/KI kapcsoló jelzőfényel, **H.** Oldalsó burkolat, **I.** Fűtőolaj tartály, **L.** Alsó burkolólemez, **M.** Felső burkolólemez, **N.** Termoelektromos égésbiztosító visszaállító gombja.

KICSOMAGOLÁS

1. Távolítson el minden a fűtőberendezés szállításához használt csomagolóanyagot.
2. Vegyen ki mindent a dobozból.
3. Ellenőrizze, hogy az alkatrészek nem sérültek-e meg szállítás közben. Ha a fűtőberendezés sérült, azonnal értesítse az eladót, akitől a berendezést vásárolt

FÜTŐOLAJAK

FIGYELMEZTETÉS! : Tűz vagy robbanás elkerülése érdekében csak diesel vagy könnyű fűtőolajat használjon. Soha ne használjon benzint, könnyűbenzint, festékhígítót, alkoholt vagy más könnyen gyulladó üzemanyagot.

Ne használjon nehéz üzemolajakat, nehéz fűtőolajat vagy nehéz dízelolajat. A nehéz olajak használatának következményeként:

- eldugul a fűtőolajsűrű és a fűvóka
- igen hideg időben nem mérgező fagymentesítőt kell használni a fűtőolajhoz.

FONTOS: Csak „CSAK DIESEL“ felirattal ellátott tárolóedényt használjon! Bizonyosodjék meg arról, hogy a tárolóedény tiszta-e. Idegen anyagok hatására, mint pl. a rozsda, piszok vagy víz, a termoelektromos égésbiztosító leállítja a fűtőberendezést. Idegen anyag bekerülése a fűvóka gyakori tisztítását is szükségessé teheti.

ÖSSZESZERELÉS

(Csak a 29 kW és 44 kW modellek esetében)
Ezek a modellek kerekkel és fogantyúkkal vannak ellátva. A kerek, fogantyúk és szerelőanyagok a szállításra szolgáló dobozban találhatóak.

Szükséges szerszámok

- Közepes méretű csillagfejű csavarhúzó
 - 10 mm-es (3/8") villáskulcs vagy állítható csavarkulcs
 - Kalapács
1. Csúsztassa a tengelyt a keréktartó keretbe. Tolja a kereket a tengelyre. **FONTOS:** A kerék felszerelésekor a kerék kiemelkedő agyrésze a keréktartó keret felé nézzen (l. a 3. ábrát).
 2. Helyezze a zárt anyákat a tengelyvégre. A rögzítés érdekében könnyedén ütögesse meg kalapáccsal.
 3. Helyezze a fűtőberendezést a keréktartó keretbe. Bizonyosodjék meg, hogy a fűtőberendezés levegőbeszívó (hátsó) vége a kerek felőli oldalon van-e. Állítsa egy vonalba a fűtőolajtartály peremén lévő furatokat a keréktartó kereten lévő furatokkal.
 4. Helyezze az elülső és a hátsó fogantyút a fűtőolajtartály peremének tetejére. A csavarokat d u g j a á t a fogant yúkon, a fűtőolajtartály peremén és a keréktartó kereten. Minden csavar behelyezése után tegye fel és kézzel húzza meg az anyát.
 5. Ha minden csavar a helyén van, szorosan húzza meg az anyákat.

(l. 3. ábra, 2. oldal)

A. Meleg levegő kifúvó, **B.** Csavar, **C.** Elülső fogantyú, **D.** Hátsó fogantyú, **E.** Levegő beszívás, **F.** Kiemelkedő agy, **G.** Tengely, **H.** Kerék, **I.** Anya, **L.** Zárt anya, **M.** Keréktartó keret, **N.** Fűtőolajtartály perem.

SZELLŐZÉS

FIGYELMEZTETÉS! : Tartsa be a friss, külső levegő minimális mennyiségére vonatkozó követelményeket. Ha nem gondoskodik megfelelő friss külső szellőzésről, szénmonoxid-mérgezés következhet be. Gondoskodjék megfelelő friss, külső levegőellátásról a fűtőberendezés elindítása előtt.

Gondoskodjék legalább 2800 cm² (3 négyzetláb) szabad nyílásról a teljesítmény minden 29 kW/ó-jára, melyen át friss, külső levegő áramolhat be. Gondoskodjék külön friss levegőről,

ha több fűtőberendezést használ.

Példa: Egy 44 kW/ó-s fűtőberendezés használata esetén az alábbiak egyike szükséges:

- Egy kétkocsis garázs ajtaja [4,9 méter nyílású] 9 cm-re felnyitva
- Egy egykocsis garázs ajtaja [2,75 méter nyílású] 15,25 cm-re felnyitva
- Két 76 cm-es ablak 28 cm-re felnyitva

MŰKÖDÉSI ELV

A fűtőolajrendszer: A légszivattyú átnyomja a levegőt a levegővezetékben. Ez után a levegő áthalad az égőfej fűvókáján. A levegő hatására a fűtőolaj felszívódik a tartályból. Az égőfej finom eloszlású fűtőolajködöt porlaszt be a tűzkamrába.

A levegőrendszer: A motor forgatja a ventilátort. A ventilátor levegőt nyom a tűzkamrába és a tűzkamra köré. Ez a levegő felmelegszik, és tiszta, meleg levegőáramot szolgáltat.

A gyújtórendszer: Az elektronikus gyújtóberendezés feszültséget ad a gyújtógyertyára. A gyújtógyertya meggyújtja a fűtőolaj-levegő keveréket.

A termoelektromos égésbiztosító : Ez a rendszer leállítja a fűtőberendezést, ha a láng kialszik.

(l. 4. ábra, 2. oldal)

A. Tiszta, meleg levegő kilépés, **B.** Tűzkamra, **C.** Gyújtógyertya, **D.** Égőfej, **E.** Ventilátor, **F.** Motor, **G.** Légszivattyú, **H.** Belépő levegő szűrője, **I.** Hideg levegő be, **L.** Kilépő levegő szűrője, **M.** Elektronikus gyújtóberendezés, **N.** Levegővezeték az égőhöz, **O.** Fűtőolajsűrű, **P.** Fűvóka, **Q.** Fűtőolajtartály, **R.** Levegő a fűtőolaj rendszerhez, **S.** Égési és fűtőlevegő, **T.** Fűtőolaj.

MŰKÖDÉS

FIGYELMEZTETÉS! : Olvassa el és jegyezze meg a **ŰBiztonsági tájékoztató** Ű pontban található figyelmeztetéseket. Ezek szükségesek a fűtőberendezés biztonságos üzemeltetéséhez. A fűtőberendezés használata során tartsa be a helyi előírásokat is.

A FÜTŐBERENDEZÉS ELINDÍTÁSA

1. Kövesse a szellőzésre és a biztonságra vonatkozó előírásokat.
2. Töltse fel a fűtőolajtartályt vagy könnyű fűtőolajjal.
3. Tegye fel a tanksapkát.
4. Csatlakoztassa a dugaszolót szabványos 230 V/50 Hz földelt dugaszoló aljzatba. Ha szükséges, használjon hosszabbító kábelt. Csak háromágú csatlakozóval ellátott földelt hosszabbító kábelt használjon.

A hosszabbító kábel méretkövetelményei:

30,5 m hosszú használjon 1,0 mm²-es (16 AWG) vezetékkel
30,6 m és 61 m hossz között használjon 1,5 mm²-es (14 AWG) vezetékkel.

Nyomja meg a BE/KI kapcsolót, hogy BE (I) helyzetben legyen, erre a fűtőberendezésnek 5 másodpercen belül be kell indulnia. Ha a BE/KI kapcsoló jelzőfénye nem gyullad fel, vagy a fűtőberendezés nem indul el, ellenőrizze a Hibakeresés c. fejezetet (3. oldal).

A FÜTŐBERENDEZÉS LEÁLLÍTÁSA

Állítsa a BE/KI kapcsolót KI helyzetbe.

A FÜTŐBERENDEZÉS ÚJRAINDÍTÁSA

1. A fűtőberendezés leállítása után várjon 2 percig.
2. Ismétlje meg A fűtőberendezés elindítása pontban leírt lépéseket.

(l. 1 vagy 2. ábra, 2. oldal)

A. Termoelektromos égésbiztosító visszaállító gombja, **B.** BE/KI kapcsoló.

TÁROLÁS, ÁTHELYEZÉS, SZÁLLÍTÁS

Megjegyzés: Szállítás során a szállítóállalatok előírják, hogy a fűtőolajtartály üres legyen.

1. Üritse ki a fűtőolajtartályt

Megjegyzés: Egyes modellek fűtőolajtartályának alján leeresztőcsavar található. Ha van ilyen, csavarja ki a zárócsavart és eressze le az összes fűtőolajat. Ha a fűtőberendezésen nincs ilyen csavar, a fűtőolajat a tanksapka-nyíláson át távolítsa el. Bizonyosodjon meg róla, hogy minden olajat leeresztett.

2. Ha van, helyezze vissza a leeresztőcsavart.

3. Ha a régi fűtőolajban bármiféle szennyeződést talál, töltsön 1-2 liter tiszta petróleumot a tartályba, keverje meg és eressze

le újból. Ez meg fogja gátolni, hogy a későbbi használat során a szennyeződés eltömje a szűrőket.

4. Helyezze vissza a sapkát vagy a leeresztőcsavart. Megfelelően gondoskodjék a régi vagy szennyezett olaj elhelyezéséről. Keresse fel a helyi autószervert, amely olaj-újrafeldolgozással foglalkozik.

5. Elraktározás esetén a fűtőberendezést száraz helyen tárolja.

A tárolóhely pormentes és korrozív gőzöktől mentes legyen.

FONTOS: Ne tárolja a petróleumot a nyári hónapokon át a következő fűtési idény kezdetéig. Öreg fűtőolaj használata tönkretelheti a fűtőberendezést.

MEGELŐZŐ KARBANTARTÁSI TERV

FIGYELMEZTETÉS! : Soha ne végezzen karbantartási munkát a fűtőberendezésen bedugott villamos csatlakozóval, melegen vagy üzem közben. Ez súlyos égési sebeket vagy áramütést okozhat.

Egység	Milyen gyakran	Hogyan?
Fűtőolajtartály	Öblítse le 150-200 üzemóránként, vagy szükség szerint.	Lásd fent <i>Tárolás, Áthelyezés, vagy Szállítás</i>
Kilépő levegő és szöszfelfogó szűrők	Cserélje ki 500 üzemóránként vagy évente.	Lásd <i>Levegőkifúvás, Levegőbeszívás és szöszfelfogó szűrők</i> , 4. oldal
Beszívott levegő szűrő	Mossa meg szappannal és vízzel és szárítsa meg 500 üzemóránként, vagy szükség szerint.	Lásd <i>Levegőkifúvás, Levegőbeszívás és szöszfelfogó szűrők</i> , 4. oldal
Fűtőolajszűrő	Tisztítsa fűtési idényenként kétszer, vagy szükség szerint.	Lásd <i>Fűtőolajszűrő</i> , 4. oldal
Gyújtógyertya	Tisztítsa meg és állítsa be a hézagot 600 üzemóránként, vagy szükség esetén cserélje ki.	Lásd <i>Gyújtógyertya</i> , 4. oldal
Ventilátorszárnyak	Tisztítsa meg minden idényben, vagy szükség szerint	Lásd <i>Ventilátor</i> , 5. oldal
Motor	Nem igényel kezelést/örökre kenve van	

HIBAKERESÉS

FIGYELMEZTETÉS! : Soha ne végezzen karbantartási munkát a fűtőberendezésen bedugott villamos csatlakozóval, melegen vagy üzem közben. Súlyos égési sebeket vagy áramütést kaphat.

AZ ÉSZLELT HIBA	LEHETSÉGES OK	A JAVÍTÁS MÓDJA
A fűtőberendezés begyullad, de rövid idő után a lángkimaradás ellenőrző leállítja a berendezést.	<ol style="list-style-type: none"> 1. A szivattyúnyomás nem megfelelő 2. Elszennyeződött levegőkilépés, levegőbeszívás, és szöszfelfogó szűrők 3. Elszennyeződött fűtőolajszűrő 4. Elszennyeződött fűvóka 5. Elszennyeződött fotocella lencse 6. Rossz a lángkimaradás ellenőrző berendezés 	<ol style="list-style-type: none"> 1. Lásd <i>A szivattyúnyomás beállítása</i>, 4. oldal 2. Lásd <i>Levegőkifúvás, Levegőbeszívás és szöszfelfogó szűrők</i>, 4. oldal 3. Lásd <i>Fűtőolajszűrő</i>, 4. oldal 4. Lásd <i>Fűvóka</i>, 5. oldal 5. Tisztítsa meg a fotocella lencsét 6. Cserélje ki a lángkimaradás ellenőrző berendezést
A fűtőberendezés nem gyullad be, de a motor rövid ideig jár.	<ol style="list-style-type: none"> 1. A szivattyúnyomás nem megfelelő 2. Koromlerakódás a gyújtógyertyán/ nem megfelelő elektródahézag 3. Elszennyeződött fűtőolajszűrő 4. Elszennyeződött fűvóka 5. Víz van a fűtőolajtartályban 	<ol style="list-style-type: none"> 1. Lásd <i>A szivattyúnyomás beállítása</i>, 4. oldal 2. Lásd <i>Gyújtógyertya</i>, 4. oldal 3. Lásd <i>Fűtőolajszűrő</i>, 4. oldal 4. Lásd <i>Fűvóka</i>, 5. oldal 5. Üritse ki a fűtőolajtartályt és öblítse át tiszta petróleummal. Lásd <i>Tárolás, Áthelyezés, Szállítás</i>, 2. oldal
VIGYÁZAT! : Nagyfeszültség!		
	<ol style="list-style-type: none"> 6. Az elektronikus gyújtóberendezés nincs földelve. 7. Rossz az elektronikus gyújtóberendezés 	<ol style="list-style-type: none"> 6. Ellenőrizze, hogy az elektronikus gyújtóberendezés hézagmentesen van-e felszerelve. 7. Cserélje ki az elektronikus gyújtóberendezést.
Noha a fűtőberendezés csatlakoztatva van a villamos hálózathoz, a motor nem indul el, a ventilátor lassan vagy egyáltalán nem forog.	<ol style="list-style-type: none"> 1. A lángkimaradás ellenőrző nincs visszaállítva 2. Szorul a szivattyú forgórésze 	<ol style="list-style-type: none"> 1. Állítsa vissza a nyomógombbal a lángkimaradás ellenőrzőt. 2. Ha a ventilátor nehezen forog, l. <i>Szivattyú forgórész</i>, 4. oldal.

SZERVIZ

FIGYELMEZTETÉS! Soha ne végezzen karbantartási munkát a fűtőberendezésen bedugott villamos csatlakozóval, melegen vagy üzem közben. Súlyos égési sebeket vagy áramütést kaphat.

A FELSŐ BURKOLÓLEMEZ LESZERELÉSE

1. Szerelje ki a fűtőberendezés két oldalán a csavarokat és a rögzítő alátéteket 8 mm-es villáskulccsal. Ezek a csavarok fogják össze a felső és az alsó burkolólemezt.
2. Emelje le a felső burkolólemezt.
3. Vegye le a ventilátor védőrácst.

FÜTŐOLAJSZŰRŐ -(10 kW és 20 kW Modellek)-

1. Szerelje ki az oldalsó burkolat csavarjait 8 mm-es villáskulccsal.
2. Vegye le az oldalburkolatot
3. Húzza le a gumi fűtőolajvezetékét a fűtőolajszűrő nyakáról
4. Óvatosan feszítse ki a fűtőolajtartályból a perselyt és a fűtőolajszűrőt.
5. Mossa ki a fűtőolajszűrőt tiszta fűtőolajjal és helyezze vissza a tartályba.
6. Húzza rá a gumi fűtőolajvezetékét a fűtőolajszűrő nyakára.
7. Szerelje vissza az oldalburkolatot.

FÜTŐOLAJSZŰRŐ -(29 kW és 44 kW Modellek)-

1. Szerelje ki az oldalsó burkolat csavarjait 8 mm-es villáskulccsal.
2. Vegye le az oldalburkolatot
3. Húzza le a felső fűtőolajvezetékét a fűtőolajszűrő nyakáról
4. Óvatosan feszítse ki a fűtőolajtartályból a perselyt, az alsó fűtőolajvezetékét és a fűtőolajszűrőt.
5. Mossa ki a fűtőolajszűrőt tiszta fűtőolajjal és helyezze vissza a tartályba.
6. Húzza rá a felső fűtőolajvezetékét a fűtőolajszűrő nyakára.
7. Szerelje vissza az oldalburkolatot.

(I. 7 vagy 8. ábra, 2. oldal)

A. Felső burkolólemez, B. Ventilátor védőrács.

(I. 9. ábra, 2. oldal)

A. Fűtőolajszűrő, B. Oldalburkolat, C. Fűtőolaj vezeték

(I. 10. ábra, 2. oldal)

A. Fűtőolajszűrő, persely és az alsó fűtőolajvezeték, B. Felső fűtőolaj vezeték, C. Oldalburkolat.

GYÚJTÓGYERTYA -(10 kW modell)-

1. Szerelje le a felső burkolólemezt.
2. Szerelje le a ventilátort (I. 5. oldal).
3. Szerelje le a fűtőolaj- és levegővezeték-tömlőket a fűvóka részegységről.
4. Vegye le a kábelt a gyújtógyertyáról.
5. Szereljen ki két csavart 8 mm-es villáskulccsal és vegye le az égőkengyelt.
6. Helyezze a gyújtógyertya hatszögű testét satuba és húzza meg.
7. Szerelje le a gyújtógyertya rögzítőanyáját 17 mm-es villáskulccsal
8. Vegye le az égőkengyelt a gyújtógyertyáról.
9. Tisztítsa meg a gyújtógyertyát és állítsa be az elektródahézagot 1,4 mm-re.
10. Helyezze vissza az égőkengyelt a gyújtógyertyára. Forgassa úgy a kengyelt, hogy a gyújtógyertya elektródák megfelelő helyzetben álljanak (I. 13. ábra).
11. Húzza meg a gyújtógyertyát a gyújtógyertya rögzítőanyával.
12. Vegye ki a gyújtógyertya hatszögű testét a satuból.
13. Szerelje vissza az égőkengyelt az tűzkamrára.
14. Tegye vissza a kábelt a gyújtógyertyára.
15. Szerelje vissza a fűtőolaj- és levegővezeték-tömlőket a fűvóka részegységre.
16. Szerelje vissza a ventilátort (I. 5. oldal).

17. Szerelje vissza a ventilátor védőrácst és a felső burkolólemezt.

(I. 11. ábra, 2. oldal)

A. Égőtér, B. Gyújtógyertya rögzítőanya, C. Égőkengyel, D. Gyújtógyertya, E. Gyújtógyertya kábel, F. Fűvóka részegység G. Fűtőolajvezeték-tömlő, H. Levegővezeték-tömlő

(I. 12. ábra, 2. oldal)

A. A hézag beállításához itt hajlítsa meg

(I. 13. ábra, 2. oldal)

A. Égőkengyel

GYÚJTÓGYERTYA -(20/29/44 kW modellek)-

1. Szerelje le a felső burkolólemezt (I. 4. oldal).
2. Szerelje le a ventilátort (I. 5. oldal).
3. Vegye le a gyújtógyertyáról a kábelt.
4. Szerelje ki a gyújtógyertyát az égőfejből egy 21 mm-es villáskulccsal.
5. Tisztítsa meg a gyújtógyertyát és állítsa be az elektródahézagot az alábbiak szerint: 20/29 kW modell: 1,9 mm hézag; 44 kW modell: 2,8 mm hézag
6. Szerelje be a gyújtógyertyát az égőfejbe.
7. Tegye vissza a kábelt a gyújtógyertyára.
8. Szerelje vissza a ventilátort (I. 5. oldal).
9. Szerelje vissza a ventilátor védőrácst és a felső burkolólemezt.

(I. 14. ábra, 3. oldal)

A. Égőfej, B. Gyújtógyertya kábel, C. Gyújtógyertya,

(I. 15. ábra, 3. oldal)

A. A hézag beállításához itt hajlítsa meg, B. Hézag

LEVEGŐKIFÚVÓ-, LEVEGŐBESZÍVÓ- ÉS SZŐSZFELFOGÓ SZŰRŐK.

1. Szerelje le a felső burkolólemezt (I. 4. oldal).
 2. Szerelje ki a szűrőfedél csavarjait 8 mm-es villáskulccsal.
 3. Vegye le a szűrőfedeleket.
 4. Cserélje ki a levegőkifúvó- és szőszfelfogó szűrőt.
 5. Mossa ki vagy cserélje ki a levegőbeszívó-szűrőt (I. Megelőző karbantartási terv, 5. oldal).
 6. Szerelje vissza a szűrőfedeleket.
 7. Szerelje vissza a ventilátor védőrácst és a felső burkolólemezt.
- FONTOS:** Ne olajozza a szűrőket!

A SZIVATTYÚNYOMÁS BEÁLLÍTÁSA

1. Szerelje ki a manométerdugót a szűrőfedélből.
2. Szerelje be a tartozékként szállított manométert (alkatrészszám HA 1180).
3. Indítsa be a fűtőberendezést (I. Működés, 5. oldal). Várjon, amíg a motor eléri a teljes fordulatszámot.
4. Állítsa be a nyomást. A nyomás növeléséhez forgassa a biztonsági szelepet jobbra. A nyomás csökkentéséhez forgassa a biztonsági szelepet balra. Lásd jobbra az egyes modelleknél beállítandó értékeket.
5. Szerelje ki a manométert. Szerelje vissza a manométerdugót a szűrőfedélbe.

(I. 16 vagy 17. ábra, 3. oldal)

A. Levegőbeszívó szűrő, B. Szűrőfedél, C. Ventilátor védőrács D. Levegőkifúvósűrő, E. Szőszfelfogó szűrő.

Modell	Szivattyúnyomás (Bar/PSI)
10 kW	0,207 / 3
20 kW	0,365 / 5,3
29 kW	0,275 / 4
44 kW	0,337 / 4,9

(I. 18. ábra, 3. oldal)

A. Manométerdugó, **B.** Biztonsági szelep, **C.** Műanyag kupak

(I. 19. ábra, 3. oldal)

A. Manométer

A FÚVÓKA RÉSZEGYSÉG -(10 kW modell)-

1. Szerelje le a felső burkolólemezt (lásd 4. oldal).
2. Szerelje le a ventilátort (lásd 5. oldal).
3. Szerelje le a fűtőolaj- és levegőtömlőket a fűvóka részegységről (lásd 17., 18. vagy 19. ábra).
4. Fordítsa egynegyed fordulattal balra a fűvóka részegységet és vegye ki a motor felé húzva (lásd 20. ábra).
5. Fogassa a hatlapú műanyag testet egy satuba, és óvatosan húzza meg.
6. Óvatosan csavarja ki a fűvókát a fűvókatartóból 16 mmes (5/8 hüvelykes) dugókulcs segítségével (lásd 21. ábra).
7. Fújjon sűrített levegőt a fűvóka homloklapján keresztül. Ez minden szennyeződést eltávolít a fűvóka környezetéből.
8. Ellenőrizze, nem sérült-e a fűvóka tömítése.
9. Szerelje vissza a fűvókát a tartójába úgy, hogy éppen jól üljön a helyén. Húzza tovább még 1/3 fordulattal egy 16 mm-es dugókulcs segítségével, 4,5 - 5,1 Nm (40 - 45 hüvelyk-font) nyomatékkal. Lásd 21. ábra.
10. Szerelje a fűvóka részegységet az égőkengyelbe.
11. Csatlakoztassa a fűtőolaj- és levegőtömlőket a fűvóka részegységhez. Lásd: *A fűtőolaj- és a levegővezeték visszacszerelése*, 5. oldal.
12. Szerelje vissza a ventilátort (lásd 5. oldal).
13. Szerelje vissza a ventilátor védőrácsot és a felső burkolólemezt.

(I. 20 vagy 21. ábra, 3. oldal)

A. Tűzkamra, **B.** Égőkengyel, **C.** Fűvóka részegység, **D.** Fűtőolajtömlő, **E.** Levegőtömlő

(I. 22. ábra, 3. oldal)

A. Fűvóka homlokloldal, **B.** Fűvókatömítés, **C.** Fűtőolajtömlő csatlakozó, **D.** Levegőtömlő csatlakozó, **E.** Fűvókatartó, **F.** Fűvóka

A FÚVÓKA RÉSZEGYSÉG -(20/29/44 kW/ó model.)

1. Szerelje le a felső burkolólemezt (I.4. oldal).
2. Szerelje le a ventilátort (I. 5. oldal).
3. Szerelje le a fűtőolaj- és levegővezeték-tömlőket égőfejről.
4. Vegye le a kábelt a gyújtógyertyáról.
5. Szerelje ki a gyújtógyertyát az égőfejből egy 21 mm-es villáskulcs segítségével.
6. Szereljen le három csavart egy 8 mm-es villáskulcs segítségével és vegye le az égőfejet a tűzkamráról.
7. Tegye az égőfejet satuba és enyhén húzza meg.
8. Óvatosan csavarja ki a fűvókát az égőfejből egy 16 mm-es dugókulcs segítségével (I. 24. ábra).
9. Fújjon sűrített levegőt a fűvókahomlokloldalára. Ez minden szennyeződést eltávolít a fűvóka környezetéből.
10. Ellenőrizze, nem sérült-e a fűvóka tömítése.
11. Szerelje vissza a fűvókát az égőfejbe és szorosan húzza meg (9,1- 12 ,4 n-m).
12. Szerelje az égőfejet a tűzkamrára.
13. Szerelje be a gyújtógyertyát az égőfejbe.
14. Helyezze vissza a kábelt a gyújtógyertyára.
15. Csatlakoztassa a fűtőolaj- és levegőtömlőket az égőfejhez.
16. Szerelje vissza a ventilátort (I. 5. oldal).
17. Szerelje vissza a ventilátor védőrácsot és a felső burkolólemezt.

(I. 23. ábra, 3 oldal)

A. Tűzkamra, **B.** Égőfej, **C.** Gyújtógyertya kábel, **D.** Gyújtógyertya, **E.** Fűtőolajtömlő, **F.** Levegőtömlő, **G.** Csavar

(I. 24. ábra, 3. oldal)

A. Fűvóka homlokloldal, **B.** Fűvókatömítés, **C.** Fűtőolajtömlő csatlakozó, **D.** Levegőtömlő csatlakozó, **E.** Égőfej, **F.** Fűvóka

A SZIVATTYÚ FORGÓRÉSZE

(Tennivalók, ha megszorul a szivattyú forgórész)

1. Szerelje le a felső burkolólemezt (I. 4. oldal).
2. Vegye ki a szűrőfedél csavarjait 8 mm-es villáskulcs segítségével.
3. Vegye le a szűrőfedeleket és a levegőszűrőket.
4. Vegye ki a szivattyúlemezt csavarjait 8 mm-es villáskulcs segítségével.
5. Vegye le a szivattyúlemezt.
6. Vegye ki a forgórészt, betétet és a szivattyúlapokat.
7. Ellenőrizze, nincs-e szennyeződés a szivattyúban. Ha van, fújja ki sűrített levegővel.
8. Szerelje össze a betétet és a forgórészt.
9. Ellenőrizze a forgórész hézagát. Állítsa be a hézagot 0,076-0,101 mm-re ha szükséges (I. 27. ábra). Megjegyzés: Forgassa körbe a forgórészt egy teljes fordulattal, hogy megállapíthassa, a legszűkebb helyen a hézag 0,076-0,101 mm. Ha szükséges, állítsa után.
10. Szerelje össze a szivattyúlapokat, levegőszűrőket és a szűrőfedeleket.
11. Helyezze vissza a ventilátor védőrácsot és a felső burkolólemezt.
12. Állítsa be a szivattyúnyomást (I. 4. oldal). Megjegyzés: Ha a forgórész még mindig szorul, az alábbiak szerint járjon el:
13. Végezze el a fenti 1 - 6 lépést.
14. Helyezzen finom csiszolópapírt (600-as szemcsenyagúság) sík felületre. Négyyszer könnyedén "nyolcas alakban" mozgatva csiszolja meg a forgórészt (I. 28. ábra).
15. Szerelje össze a betétet és a forgórészt.
16. Végezze el a fenti 10 - 12 lépést.

(I. 25 vagy 26. ábra, 3. oldal)

A. Blade, **B.** Pump plate, **C.** Air intake filter, **D.** Filter end cover, **E.** Fan guard, **F.** Air output filter, **G.** Rotor, **H.** Insert.

(I. 27. ábra, 4. oldal)

A. Hézagbeállító csavar, **B.** 0,076-0,101 mm Hézag, hézagmérővel mérve, **C.** Szivattyúlemez

(I. 28. ábra, 4. oldal)

A. Csiszolópapír

A VENTILÁTOR

FONTOS: Mielőtt a motort kiszerelem a fűtőberendezésből, vegye le a ventilátort a motor-tengelyről. A ventilátorra nehezedő motor súlya eltorzíthatja a ventilátorszárnyak emelkedését.

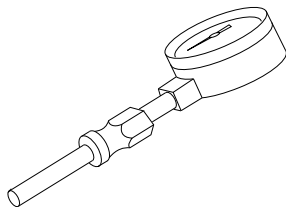
1. Szerelje le a felső burkolólemezt (I. 4. oldal).
2. 3 mm-es hatszögkulccsal lazítsa meg a belső kulcsnyílású csavart, amely a ventilátort a motortengelyre rögzíti.
3. Húzza le a ventilátort a motortengelyről.
4. Tisztítsa meg a ventilátort petróleummal vagy oldószerrel megnedvesített puha ruhával.
5. Gondosan szárítsa meg a ventilátort.
6. Szerelje vissza a ventilátort a motortengelyre. A ventilátoragy egy síkban legyen a motor tengelyvégével (I. 28. ábra).
7. Igazítsa a belső kulcsnyílású csavart a tengely lapos részéhez. Húzza meg a csavart szorosan (4,5-5,6 n-m / 40-50 inch-pound nyomatékkal).
8. Szerelje vissza a ventilátor védőrácsot és a felső burkolólemezt.

(I. 29 vagy 30. ábra, 4. oldal)

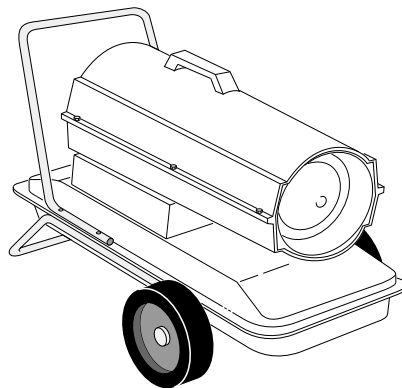
A. Ventilátor, **B.** Motortengely, **C.** Belső kulcsnyílású csavar, **D.** Egy síkban.

TARTOZÉKOK

A tartozékokat helyi kereskedőjénél vásárolhatja meg.

**LEVEGŐ-MANOMÉTER KÉSZLET - 4109.427**

Minden modellhez. Speciális szerszám a szivattyúnyomás ellenőrzés

**NAGY TEHERBÍRÁSÚ KERÉK- ÉS
FOGANTYÚKÉSZLET - 4103.925**

Nehéz körülmények közötti üzemeltetésre. Fűtőberendezése könnyebben mozgatható és kényelmesebben használható lesz. A 10 kW és 20 kW modellekhez.

JÓTÁLLÁS ÉS JAVÍTÁS**ÁLTALÁNOS BERENDEZÉSBIZONYLAT—KORLÁTOZOTT EGYÉVES JÓTÁLLÁS**

A DESA Italia a kiszállítás utáni egy évig jótáll azért, hogy az általa eladott új termékek mentesek anyag- és gyártási hibáktól, az alábbi feltételekkel:

Jelen jótállás keretében a DESA Italia kötelezettsége és felelőssége kifejezetten arra korlátozódik, hogy a DESA Italia szabad választása szerinti kijavítsa vagy cserélje azokat az alkatrészeket, amelyekről a DESA Italia vizsgálata kimutatja, hogy anyag- vagy gyártási hibával kerültek kiszállításra. Az ilyen alkatrészeket ingyen bocsátjuk a felhasználó rendelkezésére bármely a gyár által feljogosított szervizközpont üzletében vagy a gyárban, a hivatalos munkaórák alatt. A jótállás nem terjed ki a nem a DESA Italia által gyártott termékek alkatrészeire és tartozékaira, amelyekre gyártói jótállása vonatkozik, vagy a normális karbantartásra (mint pl. a nyomás beállítás), vagy normálisan elhasználódó alkatrészekre (mint pl. a szűrők és gyújtógyertyák).

A jelen jótállás alá eső termékekbe beszerelt javított vagy cserealkatrészekre a jótállás csak jelen jótállás hátralévő részére érvényes, ha a szóban forgó alkatrészek a termék eredeti alkatrészei voltak. A DESA ITALIA MÁS KIFEJEZETT JÓTÁLLÁST NEM VÁLLAL. A TÖRVÉNY ÁLTAL MEGHATÁROZOTT MÉRTÉKBEN A DESA EUROPE NEM VÁLLAL VÉLELMEZETT JÓTÁLLÁST, ÉS NEM ÁLL JÓT A PIACKÉPESSÉGÉRT ÉS BÁRMELY ADOTT CÉLRA VALÓ ALKALMASSÁGÉRT. MINDEN KÖRÜLMÉNYEK KÖZÖTT A VÉLELMEZETT JÓTÁLLÁS, BELEÉRTVE A PIACKÉPESSÉGÉRT ÉS BÁRMELY

ADOTT CÉLRA VALÓ ALKALMASSÁGÉRT VALÓ JÓTÁLLÁST IS, A KIFEJEZETT JÓTÁLLÁS IDEJÉRE KORLÁTOZÓDIK.

Minden szállítási és szerelési költséget, vámot, adót és bármilyen egyéb költséget a felhasználónak kell viselnie. Jelen korlátozott jótállás keretében a DESA Italia nem vállal felelősséget semmilyen közvetlen, közvetett, előre nem látott vagy következményes kárért vagy késedelemért. A DESA Italia kívánságára azokat a termékeket vagy alkatrészeket, amelyekkel szemben jótállási igény merül fel, vissza kell küldeni a gyárba; a szállítási költségeket a felhasználó előre tartozik kifizetni. Bármilyen helytelen használat, beleértve a hibás vagy kopott alkatrészek felderítése utáni üzemeltetést is, a túlterhelés, a DESA Italia által nem jóváhagyott alkatrészek beépítése, vagy bármilyen mások által végzett módosítás vagy javítás, ha az olyan, hogy a DESA Italia megítélése szerint a terméket lényegesen és hátrányosan befolyásolja, érvényteleníti jelen jótállást.

EGYETLEN ALKALMAZOTT VAGY KÉPVISELŐ SEM JOGOSULT A JELEN JÓTÁLLÁS BÁRMILYEN MEGVÁLTOZTATÁSÁRA, VAGY MÁS JÓTÁLLÁSI FELTÉTELEK FELAJÁNLÁSÁRA HACSAK AZ ILYEN MÓDOSÍTÁS NEM ÍRÁSBAN TÖRTÉNIK, ÉS AZT NEM ÍRJA ALÁ A DESA EUROPE KÖZPONTI IRODÁJÁNAK EGY TISZTSÉGVISELŐJE.

JÓTÁLLÁSI SZOLGÁLAT

Ha a gyárhoz fordul, mindig adja meg a modell jelét és a sorozatszámát.

Fenntartjuk a jogot, hogy jelen leírást bármikor, előzetes bejelentés nélkül módosítsuk. Az egyetlen alkalmazható jótállás a mi szabványos írott jótállásunk. Más kifejezett vagy vélelmezett jótállást nem vállalunk.

A Szerviz kézikönyv írásban megrendelhető műszaki szervizosztályunknál (Technical Service department)

* PŘENOSNÉ OHŘÍVAČE S NUCENÝM OBĚHEM VZDUCHU

PŘÍRUČKA PRO UŽIVATELE

DŮLEŽITÉ UPOZORNĚNÍ: Než začnete ohříváč montovat, spouštět nebo opravovat, přečtěte si tuto příručku tak, abyste jí porozuměli. Při nesprávném používání ohříváče může dojít k vážnému zranění. Toto příručku uschovejte pro budoucí referenci.

BEZPEČNOSTNÍ UPOZORNĚNÍ

VAROVÁNÍ

DŮLEŽITÉ UPOZORNĚNÍ: Přečtěte si pečlivě a úplně tuto Příručku pro uživatele než začnete montovat, spouštět nebo opravovat tento ohříváč. Při nesprávném používání ohříváče může dojít k vážnému zranění nebo usmrcení spaláním, ohněm, vábuchem, úderem elektrického proudu nebo otravou kyslíčnickem uhelnatám.

 VÝSTRAHA: Otrava kyslíčnickem uhelnatám může způsobit usmrcení!

Otrava kyslíčnickem uhelnatám: Úvodní příznaky otravy kyslíčnickem uhelnatám připomínají chřipku s bolestí hlavy, závratí a nevolností. Pokud máte tyto příznaky, je možné, že ohříváč nefunguje správně. **Jděte okamžitě na čerstvá vzduch!** Ohříváč nechte opravit. Na některé lidi kyslíčnick uhelnatá působí silněji. Jsou to hlavně těhotné ženy, osoby se srdečními nebo plicními chorobami či anémií, osoby pod vlivem alkoholických nápojů a osoby ve vysokých věšcích. Je důležité, aby si přečetli varování a porozuměli jim. Toto příručku uschovejte pro referenci. Je to vaše vodítko pro bezpečná a správná provoz tohoto ohříváče.

- Používejte pouze MOTOROVOU NAFTU, TOPNOU NAFTU nebo EXTRA LEHKÝ TOPNÝ OLEJ, abyste zabránili riziku požáru nebo vábuchu. Nikdy nepoužívejte benzin, naftu, ředidla na barvu, alkohol nebo jiná vysoce hořlavá paliva.
- Tankování
 - a) Osoby provádějící tankování musí být kvalifikovány a dobře obeznámeny s pokyny výrobce a aplikovatelnými nařízeními pro bezpečné tankování ohříváčích jednotek.
 - b) Používejte pouze typ paliva uvedená na destičce ohříváče s technickými údaji.
 - c) Všechny plameny, včetně případného věčného plamínku, musí být vypnuté a ohříváč je nutno před tankováním nechat vychladnout.
 - d) Při tankování je nutno zkontrolovat těsnost všech palivových linek a přípojek. Před opětovným použitím ohříváče je nutno opravit všechny netěsnosti.
 - e) V budově nesmí být nikdy v blízkosti ohříváče uskladněna větší zásoba paliva pro ohříváč než na jeden den provozu. Hromadné uskladnění paliva musí být mimo budovu.
 - f) Všechno palivo musí být uskladněno alespoň 8 m od ohříváčů, pájecích lamp, svářecích zařízení a podobných zápalných zdrojů (s výjimkou zásobníků paliva, které jsou nedílnou součástí jednotek ohříváčů).
 - g) Kdykoli je to možné, palivo by mělo být uskladněno v oblastech, kde nehrozí, že palivo, které unikne podlažím bude kapat na oheň v nižším podlaží a dojde k jeho vznícení.
 - h) Palivo musí být uskladněno v souladu s nařízeními organizace s příslušnou jurisdikcí.

- Ohříváč nikdy nepoužívejte v přítomnosti benzínu, ředidel barev nebo jiných vysoce hořlavých váparů.
- Při používání ohříváče dodržujte všechna místní nařízení a kódy.
- Ohříváče používané v blízkosti plachtoviny, plátna nebo jiného krycího materiálu musí být umístěny v bezpečnostní vzdálenosti od těchto materiálů. Doporučená minimální bezpečnostní vzdálenost je 3 m. Dále doporučujeme, aby tyto krycí materiály byly z materiálu vzdorujícího ohni. Tyto krycí materiály musí být bezpečně uchyceny, aby nedošlo k jejich vznícení a aby při větru ohříváč neporazily.
- Ohříváč používejte pouze v dobře větraných oblastech. Před používáním ohříváče zajistěte otvor pro přívod čerstvého venkovního vzduchu o průměru alespoň 2 800 čtverečných centimetrů na každých 30 kW/hod. jmenovitého výkonu.
- Ohříváč používejte pouze v prostorech bez hořlavých váparů a bez vysokého obsahu prachu.
- Používejte pouze elektrické napětí a frekvenci uvedenou na destičce modelu s technickými údaji.
- Používejte pouze uzemněné prodlužovací šňůry se třemi hroty.
- Minimální vzdálenosti ohříváče od hořlavých látek: Vstup: 250 cm Strany, horní a zadní část: 125 cm
- Rozpálená nebo běžící ohříváč umístěte na stabilní a plochý povrch, aby nedošlo k ohni.
- Při přesunování nebo ukládání ohříváč udržujte v ploché pozici, aby nedošlo k rozlití paliva.
- Zajistěte, aby se k ohříváči nedostaly děti a zvířata.
- Nepoužívaná ohříváč vypojte ze zásuvky.
- Při používání s termostatem může být ohříváč spuštěn kdykoli.
- Ohříváč nikdy nepoužívejte v obytných prostorech nebo v oblastech určených ke spaní.
- Zajistěte, aby nebylo zablokováno nasávání vzduchu (zadní část) ani vstoup vzduchu (přední část) ohříváče.
- Ohříváč, která je rozpálená, v provozu nebo zapojená nikdy nepřesunujte, nemanipulujte s ním ani neprovádějte jeho servis.
- K přední ani zadní části ohříváče nikdy nepřipojujte trubice.

IDENTIFIKACE VÝROBKU

(viz obrázek 1, strana 2)

A. Vstup horkého vzduchu, **B.** Držadlo, **C.** Kryt ventilátoru, **D.** Kryt vzduchového filtru, **E.** Víko palivové nádrže, **F.** Napájecí kabel, **G.** Spínač pro zapínání a vypínání, **H.** Postranní kryt, **I.** Palivová nádrž, **L.** Spodní plášť, **M.** Horní plášť, **N.** Tlačítko pro znovunastavení při vypnutém plamenu.

VYBALENÍ

1. Vyndejte veškeré položky použité pro balení zaslání ohříváče.
2. Vyndejte všechny položky z krabice.
3. Zkontrolujte všechny položky, zda nebyly při přepravě poškozené. Pokud je ohříváč poškozený, vyznamenejte neprodleně obchodníka, od kterého jste jej zakoupili.

PALIVA

VAROVÁNÍ: Používejte pouze **MOTOROVOU NAFTU, TOPNOU NAFTU** nebo **EXTRA LEHKÝ TOPNÝ OLEJ**, abyste zabránili požáru nebo výbuchu. Nikdy nepoužívejte benzín, ředidla na barvu, alkohol nebo jiná vysoce hořlavá paliva.

DŮLEŽITÉ UPOZORNĚNÍ: Používejte pouze nádoby URČENÉ PRO PETROLEJ. Používaná nádoba musí být čistá. Cizorodé látky jako je rez, prach nebo voda způsobí, že systém pro řízení při vypnutém plamenu vypne ohřívač. Cizorodé látky také způsobí, že je nutno často čistit palivový systém.

SESTAVENÍ

(Pouze pro modely s výkonem 29 a 44 kW.)

Tyto modely jsou dodávány s namontovanými koly a držadly. V přepravním krabici nejsou kola, držadla a nástroje k namontování.

Potřebné nástroje

- Střední křížová šroubovák
- Otevřená nebo nastavitelná klíč 3/8 palce
- Kladívko

1. Protáhněte nápravu nosnou konstrukcí kol. Nainstalujte kola na nápravu.

DŮLEŽITÉ UPOZORNĚNÍ: Při instalaci kol nasměrujte prodloužená náboj kola směrem k nosné konstrukci kola (viz obrázek 3).

- Uzavřenou matici našroubujte na konce nápravy. Zajistěte ji jemným poklepáním kladívkem.
- Ohřívač položte na nosnou konstrukci kol. Zkontrolujte, zda je nasávání vzduchu (zadní část) ohřívače nad koly. Zarovnejte otvory patky palivové nádrže s otvory nosné konstrukce kol.
- Umístěte přední a zadní držadlo na vrchní část patky palivové nádrže. Prostrčte šrouby držadly, patkou palivové nádrže a nosnou konstrukcí kol. Šrouby zajistěte maticemi a dotáhněte je rukou.
- Po nasazení všech šroubů matice pevně dotáhněte.

(viz obrázek 2 nebo 3, strana 2)

A. Vstup horkého vzduchu, **B.** Šroub, **C.** Přední držadlo, **D.** Zadní držadlo, **E.** Nasávání vzduchu, **F.** Prodloužená náboj, **G.** Náprava, **H.** Kolo, **I.** Matice, **L.** Uzavřená matice, **M.** Nosná konstrukce kol, **N.** Patka palivové nádrže.

VENTILACE

VAROVÁNÍ: Dodržujte minimální požadavky na čerstvý venkovní vzduch pro ventilaci. Pokud není zajištěn ventilace čerstvým venkovním vzduchem, může dojít k otravě kyslíčným uhelnatám. Před spuštěním ohřívače zajistěte ventilaci čerstvým venkovním vzduchem.

Zajistěte otvor o průměru alespoň 2 800 čtverečních centimetrů na každých 29 kW. jmenovitého výkonu pro přívod čerstvého venkovního vzduchu. Pokud používáte více ohřívačů, zajistěte více čerstvého vzduchu.

Příklad: Pro ohřívač o výkonu 44 kW. je zapotřebí jedna z následujících variant:

- vrata garáže pro dva automobily [otvor o velikosti 4,9 metru], zdvihnutá o 9 cm
- vrata garáže pro jeden automobil [otvor o velikosti 2,75 metru], zdvihnutá o 15,25 cm
- dvě okna o velikosti 76 cm, zdvihnutá o 28 cm

TEORIE PROVOZU

Palivový systém: Vzduchová pumpa protlačuje vzduch vzduchovými vedeními. Tento vzduch pak prochází tryskou hlavy

hořáku. Tento vzduch zdvihá palivo z nádrže. Jemná palivová mlha je vstříkována po spalovací komory.

Vzduchový systém: Motor pohání ventilátor. Ventilátor tlačí vzduch do spalovací nádrže a jejího okolí. Tento vzduch je pak zahříván a zajišťuje proud čistého, horkého vzduchu.

Systém zapalování: Elektronické zapalování vysílá napětí, které zajišťuje jiskření svíčky. Svíčka zapaluje směs paliva a vzduchu.

Systém pro řízení při vypnutém plamenu: Tento systém uzavře ohřívač, pokud zhasne plamen.

(viz obrázek 4, strana 2)

A. Vstup čistého ohřátého vzduchu, **B.** Spalovací komora, **C.** Svíčka, **D.** Hlava hořáku, **E.** Ventilátor, **F.** Motor, **G.** Vzduchové čerpadlo, **H.** Filtr nasávaného vzduchu, **I.** Nasávání studeného vzduchu, **L.** Vstupní vzduchová filtr, **M.** Elektronické zapalování, **N.** Vzduchová linka k hořáku, **O.** Palivová filtr, **P.** Tryska, **Q.** Palivová nádrž, **R.** Vzduch pro palivový systém, **S.** Vzduch pro spalování a ohřívání, **T.** Palivo.

PROVOZ

VAROVÁNÍ: Prostudujte si varování v části **Bezpečnostní upozornění tak, abyste jim porozuměli. Tato varování musí být dodržována pro bezpečný provoz ohřívače. Při používání tohoto ohřívače dodržujte místní nařízení.**

SPUŠTĚNÍ OHŘÍVAČE

- Dodržujte všechna upozornění o ventilaci a bezpečnosti.
- Naplňte palivovou nádrž motorovou naftou, topnou naftou nebo extra lehkým topným olejem.
- Nasaďte kryt palivové nádrže.
- Napájecí kabel zásuvky zapojte do standardní uzemněné zásuvky 230 V/50 Hz. V případě potřeby použijte prodlužovací kabel. Používejte pouze prodlužovací šňůru se třemi hroty (uzemněnou).

Požadavky na velikost prodlužovacího kabelu:

Vodící kabel dlouhá až 30,5 metru o průměru 1,0 mm² (16 AWG)

Vodící kabel dlouhá 30,6 - 61 metru o průměru 1,5 mm² (14 AWG)

Stlačte vypínač do polohy zapnuto (I). Ohřívač by se měl během 5 sekund spustit. Pokud se nerozsvítí světelná kontrolka vypínače ZAPNUTO/VYPNUTO nebo se ohřívač nespustí, podívejte se na *Odstraňování závad* (str. 3).

ZASTAVENÍ OHŘÍVAČE

Spínač pro zapínání a vypínání přepněte do polohy OFF (vypnuto).

PŘED OPĚTOVNÝM SPUŠTĚNÍM OHŘÍVAČE

- Po zastavení ohřívače počkejte 2 minuty.
- Zopakujte kroky uvedené na straně 6 v části *Spuštění ohřívače*.

(viz obrázek 5 nebo 6, strana 2)

A. Tlačítko pro znovunastavení při vypnutém plamenu, **B.** Vypínač ZAPNUTO/ VYPNUTO se světelnou.

USKLADNĚNÍ, PŮEPRAVA NEBO ZASÍLÁNÍ

Poznámka: Při zasílání přepravní společnosti vyžadují, aby palivová nádrž byla prázdná.

- Vypustte palivovou nádrž.

Poznámka: Některé modely mají vypouštěcí uzávěr ve spodní části palivové nádrže. U těchto modelů všechno palivo

- vypusťte sundáním vypouštěcího uzávěru. Pokud ohřívač nemá vypouštěcí uzávěr, palivo vypusťte íkem palivové nádrže. Zkontrolujte, zda jste vypustili všechno palivo.
- U modelů s vypouštěcím uzávěrem tento uzávěr vraťte na své místo.
 - Pokud si ve starém palivu všimnete jakákoli nečistot, nalijte do nádrže 1 až 2 litry čistého petroleje, zamíchejte jím a opět jej vypusťte. Zabráníte tak ucpávání filtrů nečistotami při budoucím používání.

- Vraťte na své místo víko palivové nádrže nebo vypouštěcí uzávěr. Staré a špinavé palivo zlikvidujte odpovídajícím způsobem. Ověřte si, které místní opravy automobilů recyklují olej.
 - V případě uskladnění ohřívač uložte na suchém ístě. Ověřte si, zda na místě určeném k uskladnění není prach nebo tam nejsou korozní látky.
- DŮLEŽITÉ UPOZORNĚNÍ:** Neskladujte v letních měsících petrolej, která chcete použít pro příští topnou sezónu. Při použití starého paliva může dojít k poškození ohřívače.

HARMONOGRAM PREVENTIVNÍ ÚDRŽBY

VAROVÁNÍ: Nikdy neprovádějte servis ohřívače, která je zapojená, v provozu nebo rozpálená. Může dojít k vážným popáleninám a úderu elektrickým proudem.

Položka	Jak často	Jak se provádí
Palivová nádrž	Propláchnout po každých 150-200 hodin provozu nebo podle potřeby	Viz <i>Uskladnění, přeprava nebo zaslání</i>
Filtr pro vástup vzduchu a filtr z vyzrněné bavlny	Vyměnit po každých 500 hodinách provozu nebo jednou za rok	Viz <i>Filtry pro vástup vzduchu, nasávání vzduchu a filtr z vyzrněné bavlny</i> - strana 4
Filtr vzduchového nasávání	Propláchnout mádlovám roztokem a vysušit po každých 500 hodinách provozu nebo podle potřeby	Viz <i>Filtry pro vástup vzduchu, nasávání vzduchu a filtr z vyzrněné bavlny</i> - strana 4
Palivová filtr	Vyčistit dvakrát za topnou sezónu nebo podle potřeby	Viz <i>Palivová filtr</i> - strana 4
Svíčka	Vyčistit a nastavit po každých 600 hodinách provozu nebo vyměnit podle potřeby	Viz <i>Svíčka</i> - strana 4
Čepele ventilátoru	Vyčistit každou sezónu nebo podle potřeby	Viz <i>Ventilátor</i> - strana 5
Motor	Údržba není nutná - stálé mazání	

ODSTRAŇOVÁNÍ ZÁVAD

VAROVÁNÍ: Nikdy neprovádějte servis ohřívače, která je zapojená, v provozu nebo rozpálená. Může dojít k vážným popáleninám a úderu elektrickým proudem.

ZÁVADA	MOŽNÁ PŘÍČINA	NÁPRAVA
Ohřívač zapaluje, ale systém pro řízení při vypnutém plamenu po krátkém časovém období vypne ohřívač.	<ol style="list-style-type: none"> Špatná tlak čerpadla Špinavá filtr pro vástup vzduchu, nasávání vzduchu a špinavá filtr z vyzrněné bavlny Špinavá palivová filtr Špína v trysce Špinavá čočka fotobuňky Rozbité řízení při vypnutém plamenu 	<ol style="list-style-type: none"> Viz <i>Nastavení tlaku čerpadla</i> - strana 4 Viz <i>Filtry pro vástup vzduchu, nasávání vzduchu a filtr z vyzrněné bavlny</i> - strana 4 Viz <i>Palivová filtr</i> - strana 4 Viz <i>Tryska</i> - strana 5 Vyčistěte čočky fotobuňky Vyměňte řízení při vypnutém plamenu
Ohřívač nezapaluje, ale motor běží krátké časové období	<ol style="list-style-type: none"> Špatná tlak čerpadla Nánosy uhlíku na svíčce a/nebo nesprávné nastavení mezery jiskříště Špinavá palivová filtr Špína v trysce Voda v palivové nádrži 	<ol style="list-style-type: none"> Viz <i>Filtry pro vástup vzduchu, nasávání vzduchu a filtr z vyzrněné bavlny</i> - strana 4 Viz <i>Svíčka</i> - strana 4 Viz <i>Palivová filtr</i> - strana 4 Viz <i>Tryska</i> - strana 5 Vypusťte palivovou nádrž a propláchněte ji petrolejem. Viz <i>Uskladnění, přeprava nebo zaslání</i> - strana 2 Zkontrolujte, zda je uchycení elektrického zapalování dotažené Vyměňte elektrické zapalování
Motor nejde nastartovat, když je ohřívač zapojen, ventilátor se otáčí pomalu nebo se neotáčí	<ol style="list-style-type: none"> Systém pro řízení při vypnutém plamenu není znovu nastavená Zadírající se rotor čerpadla 	<ol style="list-style-type: none"> Nastavte znovu systém pro řízení při vypnutém plamenu. Pokud lze ventilátorem otáčet ztěžka, viz <i>Rotor čerpadla</i>.

VAROVÁNÍ: Vysoké napětí!

POSTUPY PRO SERVIS

VAROVÁNÍ: Nikdy neprovádějte servis ohřívače, která je zapojená, v provozu nebo rozpálená. Může dojít k vážným popáleninám a úderu elektrickým proudem.

ODMONTOVÁNÍ HORNÍHO PLÁŠTĚ

1. Pomocí maticového klíče 5/16 palce sundejte šrouby a podložky na každé straně ohřívače. Tyto šrouby k sobě uchycují horní a spodní plášť.
2. Zdvihněte horní plášť.
3. Sundejte kryt ventilátoru.

PALIVOVÁ FILTR *-(pouze u modelů 10 kW a 20 kW)-*

1. Pomocí klíče na matice 5/16 palce sundejte postranní šrouby krytu.
2. Sundejte postranní kryt.
3. Vytáhněte gumovou palivovou linku z krčku palivového filtru.
4. Opatrně vypačte pouzdro a palivová filtr z palivové nádrže.
5. Opláchněte palivová filtr čistým palivem a vraťte jej do nádrže.
6. Uchyťte gumovou palivovou linku ke krčku palivového filtru.
7. Nasaďte palivová kryt.

PALIVOVÁ FILTR *-(pouze u modelů 29 kW a 44 kW)-*

1. Pomocí klíče na matice 5/16 palce sundejte postranní šrouby krytu.
2. Sundejte postranní kryt.
3. Vytáhněte palivovou linku z krčku palivového filtru.
4. Opatrně vypačte pouzdro, spodní palivovou linku a palivová filtr z palivové nádrže.
5. Opláchněte palivová filtr čistým palivem a vraťte jej do nádrže.
6. Uchyťte horní palivovou linku ke krčku palivového filtru.
7. Nasaďte postranní kryt.

(viz obrázek 7 nebo 8, strana 2)

A. Horní plášť, **B.** Kryt ventilátoru.

(viz obrázek 9, strana 2)

A. Palivová filtr, **B.** Postranní kryt, **C.** Palivová linka.

(viz obrázek 10, strana 2)

A. Palivová filtr, pouzdro a spodní palivová linka, **B.** Horní palivová linka, **C.** Postranní kryt.

SVÍČKA *-(Model s vákonem 10 kW)-*

1. Sundejte horní plášť.
2. Sundejte ventilátor (viz strana 5).
3. Sundejte hadice palivové a vzduchové linky z jednotky trysky.
4. Sundejte kabel svíčky ze svíčky.
5. Pomocí maticového klíče 5/16 palce odšroubujte dva šrouby a sundejte úchyt hořáku.
6. Uchyťte šestihřannou část svíčky do svěraku a utáhněte jej.
7. Pomocí otevřeného klíče 11/16 palce sundejte úchytnou matici svíčky.
8. Sundejte úchyt hořáku ze svíčky.
9. Vyčistěte elektrody svíčky a nastavte jejich jiskřiště na 1,4 mm.
10. Úchyt hořáku vraťte na svíčku. Úchytem hořáku otáčejte, abyste správně umístili elektrody svíčky (viz obrázek 13).
11. Svíčku utáhněte úchytnou maticí svíčky.
12. Uvolněte šestihřannou část svíčky ze svěraku.
13. Připevněte úchyt hořáku na spalovací komoru.
14. Nasaďte kabel svíčky na svíčku.
15. Nasaďte hadice palivové a vzduchové linky na jednotku trysky.
16. Nasaďte ventilátor (viz strana 5).
17. Nasaďte kryt ventilátoru a horní plášť.

(viz obrázek 11, strana 2)

A. Spalovací komora, **B.** Úchytná matice svíčky, **C.** Úchyt hořáku, **D.** Svíčka, **E.** Kabel svíčky, **F.** Jednotka trysky, **G.** Hadice palivové linky, **H.** Hadice vzduchové linky

(viz obrázek 12, strana 3)

A. Ohnutím zde upravte mezeru jiskřiště

(viz obrázek 13, strana 3)

A. Úchyt hořáku

SVÍČKA *-(Model s vákonem 10 kW)-*

1. Sundejte horní plášť (viz strana 4).
2. Sundejte ventilátor (viz strana 5).
3. Sundejte kabel svíčky ze svíčky.
4. Odmontujte svíčku z hlavice hořáku pomocí otevřeného klíče 13/16 palce.
5. Vyčistěte elektrody svíčky a nastavte mezery jiskřiště:
U modelů 20/29 kW/hod. na 1,9 mm; **U modelu 44 kW/hod.** na 2,8 mm.
6. Nainstalujte svíčku do hlavy hořáku.
7. Uchyťte kabel svíčky ke svíčce.
8. Nasaďte ventilátor (viz strana 5).
9. Nasaďte kryt ventilátoru a horní plášť.

(viz obrázek 14, strana 3)

A. Hlava hořáku, **B.** Kabel svíčky, **C.** Svíčka,

(viz obrázek 15, strana 3)

A. Ohnutím zde upravte mezeru jiskřiště, **B.** Mezera jiskřiště

FILTRY PRO VÁSTUP VZDUCHU, NASÁVÁNÍ VZDUCHU A FILTR Z VYZRNĚNÉ BAVLNY

1. Sundejte horní plášť (viz strana 4).
 2. Odšroubujte šrouby z krytu filtru pomocí maticového klíče 5/16 palce.
 3. Sundejte kryt filtru.
 4. Vyměňte filtr pro vástup vzduchu a filtr z vyzrněné bavlny.
 5. Propláchněte nebo vyměňte filtr pro nasávání vzduchu (viz *Harmonogram preventivní údržby* na straně 5)
 6. Nasaďte kryt filtru.
 7. Nasaďte kryt ventilátoru a horní plášť.
- DŮLEŽITÉ UPOZORNĚNÍ:** Filtry neolejujte

NASTAVENÍ TLAKU ČERPADLA

1. Sundejte z krytu filtru zástrčku vstupu tlakoměru.
2. Nasaďte tlakoměr (číslo součástky HA1180).
3. Spusťte ohřívač (viz *Provoz* - strana 4). Nechte motor dosáhnout plné rychlosti.
4. Nastavte tlak. Otočením odvzdušňovacího ventilu doprava se tlak zvyšuje. Otočením odvzdušňovacího ventilu doleva se tlak snižuje. Tlak nastavte podle technických údajů pro každá model vpravo.
5. Tlakoměr sundejte. Na kryt filtru nasaďte zástrčku vstupu tlakoměru.

(viz obrázek 16 nebo 17, strana 3)

A. Filtr pro nasávání vzduchu, **B.** Kryt filtru, **C.** Kryt ventilátoru
D. Filtr pro vástup vzduchu, **E.** Filtr z vyzrněné bavlny.

Model	Tlak čerpadla (Bar/PSI)
10 kW	0,207 / 3
20 kW	0,365 / 5,3
29 kW	0,275 / 4
44 kW	0,337 / 4,9

(viz obrázek 18, strana 3)

A. Zástrčka vstupu tlakoměru, **B.** Odvzdušňovací ventily, **C.** Plastové víčko

(viz obrázek 19, strana 3)

A. Tlakoměr

SESTAVA TRYSKY -(Model s výkonem 10 kW)-

1. Oddělte horní plášť (viz strana 4).
2. Odmontujte ventilátor (viz strana 5).
3. Od sestavy trysky odpojte hadici přívodu paliva a hadici přívodu vzduchu (viz obrázek 17, 18 nebo 19).
4. Otočte sestavou trysky o 1/4 otáčky doleva a vydělejte ji vytažením směrem k motoru (viz obrázek 20).
5. Plastovou šestihrannou část uchyťte do svěraku a lehce ji utáhněte.
6. Pomocí nástrčného klíče o velikosti 5/8 palce trysku opatrně vymontujte z adaptéru trysky (viz obrázek 21).
7. Přední část trysky profoukněte stlačeným vzduchem. Uvolněte tak z trysky veškeré nečistoty.
8. Zkontrolujte, jestli není poškozené těsnění trysky.
9. Trysku usadte zpět do adaptéru trysky. Pomocí nástrčného klíče o velikosti 5/8 palce ji dotáhněte o 1/3 kroutícím momentem 4,5 až 5,1 N·m (40 až 45 libropalců). Viz obrázek 21.
10. Sestavu trysky připevněte k uchytku hořáku.
11. K sestavě trysky připojte hadice přívodu paliva a vzduchu. Viz Výměna přívodu paliva a vzduchu a jejich správné vedení.
12. Přimontujte ventilátor (viz strana 5).
13. Přidělte kryt ventilátoru a horní plášť (viz strana 5).

(viz obrázek 20 nebo 21, strana 3)

A. Spalovací komora, **B.** Úchyt hořáku, **C.** Jednotka trysky
D. Hadice palivové linky, **E.** Hadice vzduchové linky

(viz obrázek 22, strana 3)

A. Přední část trysky, **B.** Těsnění trysky, **C.** Armatura palivové linky, **D.** Armatura vzduchové linky, **E.** Adaptér trysky, **F.** Tryska

TRYSKA -(Modely s výkonem 20/29/44 kW)-

1. Sundejte horní plášť (viz strana 4).
2. Sundejte ventilátor (viz strana 5).
3. Sundejte hadice palivové a vzduchové linky z hlavy hořáku.
4. Sundejte kabel svíčky ze svíčky.
5. Pomocí otevřeného klíče 13/16 sundejte svíčku z hlavy hořáku.
6. Pomocí maticového klíče 5/16 palce odšroubujte tři šrouby a sundejte hlavu hořáku ze spalovací komory.
7. Hlavu hořáku uchyťte do svěraku a mírně jej utáhněte.
8. Pomocí nástrčného klíče 5/8 palce trysku opatrně odmontujte z hlavy hořáku (viz obrázek 24)
9. Přední část trysky profoukněte stlačeným vzduchem. Uvolněte tak z trysky veškeré nečistoty.
10. Zkontrolujte, zda není poškozené těsnění trysky.
11. Trysku usadte do hlavy hořáku a pevně ji utáhněte (9,1 - 12,4 Nm)
12. Hlavu hořáku uchyťte ke spalovací komoře.
13. Nasaďte svíčku do hlavy hořáku.
14. Připojte kabel svíčky ke svíčke.
15. Nasaďte hadice palivové a vzduchové linky na hlavu hořáku.
16. Nasaďte ventilátor (viz strana 5).
17. Nasaďte kryt ventilátoru a horní plášť.

(viz obrázek 23, strana 3)

A. Spalovací komora, **B.** Hlava hořáku, **C.** Kabel svíčky, **D.** Svíčka, **E.** Hadice palivové linky, **F.** Hadice vzduchové linky, **G.** Šroub

(viz obrázek 24, strana 3)

A. Přední část trysky, **B.** Těsnění trysky, **C.** Armatura palivové linky, **D.** Armatura vzduchové linky, **E.** Hlava hořáku, **F.** Tryska

ROTOR ČERPADLA

(Postup pokud se rotor nezadírá)

1. Sundejte horní plášť (viz strana 4).
2. Pomocí maticového klíče 5/16 palce odšroubujte šrouby krytu filtru.
3. Sundejte kryt filtru a vzduchové filtry.
4. Pomocí maticového klíče 5/16 palce odšroubujte šrouby desky čerpadla.
5. Sundejte desku čerpadla.
6. Sundejte rotor, vložku a čepele.
7. Zkontrolujte, zda v čerpadlu nejsou nečistoty. Pokud naleznete nečistoty, vyfoukejte je stlačeným vzduchem.
8. Nainstalujte vložku a rotor.
9. Zkontrolujte mezeru rotoru. Podle potřeby ji nastavte na 0,076/0,101 mm (viz obrázek 25).
Poznámka: Otočte rotorem o jednu celou otáčku, abyste měli jistotu, že je mezera rotoru 0,076/0,101 mm v nejužší pozici. Podle potřeby upravte nastavení.
10. Nainstalujte čepele, desku čerpadla, vzduchové filtry a kryt filtru.
11. Nasaďte kryt ventilátoru a horní plášť.
12. Nastavte tlak čerpadla (viz strana 4).
Poznámka: Pokud se rotor i nadále zadírá, proveďte následující kroky.
13. Proveďte vaše uvedené kroky 1 až 6.
14. Na rovnou povrch položte jemná skelná papír (zrnitost 600). Rotorem zvolna čtyřikrát otočte jako byste kreslili číslici osm (viz obrázek 26).
15. Nasaďte vložku a rotor.
16. Proveďte kroky 10 až 12 vaše.

(viz obrázek 25 nebo 26, strana 3)

A. Čepel, **B.** Deska čerpadla, **C.** Filtr nasávání vzduchu, **D.** Kryt filtru, **E.** Kryt ventilátoru, **F.** Filtr vzduchového vstupu, **G.** Rotor, **H.** Vložka.

(viz obrázek 27, strana 4)

A. Šroub pro nastavení mezery, **B.** Mezera 0,076/ 0,101 mm měřená listkovým spároměrem, **C.** Čepel

(viz obrázek 28, strana 4)

A. Skelná papír

VENTILÁTOR

DŮLEŽITÉ UPOZORNĚNÍ: Před odmontováním motoru z ohříváče sundejte ventilátor z hřídele motoru. Hmotnost motoru spočívající na ventilátoru by mohla narušit nastavení úhlu ventilátoru.

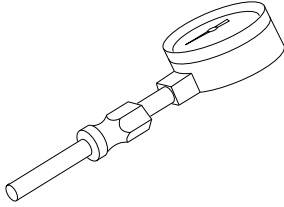
1. Sundejte horní plášť (viz strana 4).
2. Pomocí zástrčného šestihranného klíče 1/8 palce uvolněte stavěcí šroub, která uchycuje ventilátor k hřídeli motoru.
3. Stáhněte ventilátor z hřídele motoru.
4. Ventilátor vyčistěte měkkým hadrem namočeným do petroleje nebo rozpouštědla.
5. Ventilátor důkladně vysušte.
6. Ventilátor nasaďte na hřídel motoru. Náboje ventilátoru u zarovnejte s koncem hřídele motoru (viz obrázek 28).
7. Stavěcí šroub umístěte na rovinu hřídele. Stavěcí šroub důkladně utáhněte (4,5 - 5,6 Nm)
8. Nasaďte kryt ventilátoru a horní plášť.

(viz obrázek 29 nebo 30, strana 4)

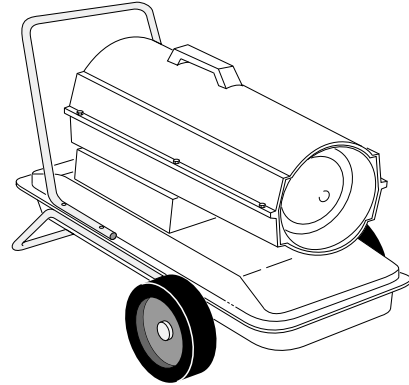
A. Ventilátor, **B.** Hřídel motoru, **C.** Stavěcí šroub, **D.** Zarovnání.

DOPLŇKOVÉ VYBAVENÍ

Doplňkové vybavení zakupte od svého místního prodejce.

**SOUPRAVA TLAKOMĚRU - 4109.427**

Pro všechny modely. Speciální nástroj pro kontrolu tlaku čerpadla.

**SOUPRAVA KOL A DRŽADEL PRO NÁROČNÝ
PROVOZ - 4103.925**

Pro použití v náročném provozu. Usnadňuje manipulaci a ovládání ohříváče. Pro modely 10/20 kW.

ZÁRUKA A OPRAVY**OSVĚDČENÍ PRO VŠEOBECNÉ VYBAVENÍ—OMEZENÁ ZÁRUKA NA JEDEN ROK**

Společnost DESA Italia zaručuje, že nové výrobky, které prodává, nebudou mít závadu materiálu nebo provedení po dobu jednoho roku od data dodávky prvním uživateli, pokud budou dodrženy následující podmínky:

Povinnosti a zodpovědnosti společnosti DESA Italia na základě této záruky jsou výslovně omezeny na opravu nebo výměnu jakékoli součástky, o které společnost DESA Italia při inspekci zjistí, že měla závadu materiálu nebo provedení při expedici z výroby, na základě rozhodnutí společnosti DESA Italia. Tyto součástky musí být poskytnuty v obchodním provozu jakéhokoli servisního střediska autorizovaného výrobcem nebo v továrně během běžné pracovní doby tak, aby uživateli nevznikly žádné výdaje. Tato záruka se nevztahuje na součástky nebo doplňkové vybavení výrobků, které nejsou vyráběny společností DESA Italia a které jsou pokryty zárukou výrobce nebo na běžnou údržbu (jako je nastavení tlaku) nebo na součástky, které podléhají běžnému opotřebením (jako jsou filtry a svíčky). Na náhradní součástky nebo součástky použité pro opravu tohoto výrobku, na která se vztahuje tato záruka, a které do něj byly nainstalovány, platí záruka pouze po zbytek této záruky, jako kdyby tyto součástky byly původními komponenty daného výrobku. **SPOLEČNOST DESA ITALIA NEPOSKYTUJE ŽÁDNOU DALŠÍ VÝSLOVNOU ZÁRUKU. V MÍŘE DO KTERÉ TO UMOŽŇUJE ZÁKON SPOLEČNOST DESA EUROPE NEPOSKYTUJE ŽÁDNOU IMPLIKOVANOU ZÁRUKU ANI NEPOSKYTUJE**

ZÁRUKU OBCHODOVATELNOSTI NEBO ZPŮSOBILOSTI PRO JAKÝKOLI ÚČEL. VE VŠECH PŘÍPÁDECH JSOU IMPLIKOVANÉ ZÁRUKY, VČETNĚ ZÁRUK OBCHODOVATELNOSTI A ZPŮSOBILOSTI PRO DANÝ ÚČEL, OMEZENY NA DOBU TRVÁNÍ TĚTO VÝSLOVNÉ ZÁRUKY.

Veškeré přepravní náklady, instalační náklady, celní poplatky, daňové poplatky a jakékoli další platby musí být uhrazeny uživatelem. Povinnosti společnosti DESA Italia vyplývající z této omezené záruky nezahrnují žádnou zodpovědnost za přímá, nepřímá, náhodná nebo následná poškození nebo zdržení. V případě vyžádání společností DESA Italia musí být výrobky nebo součástky, které jsou nárokovány na základě záruky, uživatelem předplaceně zaslány výrobcem. Veškeré nesprávné používání, včetně používání po zjištění závadných nebo opotřebených součástek, provozu přesahujícímu kapacitu, výměny součástek neschválených společností DESA Italia nebo jakékoli úpravy nebo opravy provedené jinými entitami takovým způsobem, která na základě posouzení společností DESA Italia podstatně a negativně ovlivní tento výrobek, budou mít za následek zrušení této záruky.

ŽÁDNÝ ZAMĚSTNANEC ANI ZÁSTUPCE NEMÁ PRÁVO JAKÝMKOLI ZPŮSOBEM MĚNIT TUTO ZÁRUKU NEBO POSKYTOVAT JAKOUKOLI JINOU ZÁRUKU, POKUD TATO ZMĚNA NENÍ UVEDENA PÍSEMNĚ A PODEPSÁNA PRACOVNÍKEM SPOLEČNOSTI DESA EUROPE Z ŘEDITELSTVÍ.

ZÁRUČNÍ SLUŽBA

Při korespondenci s výrobcem vždy uvádějte model a sériové číslo.

Vyhrazujeme si právo upravit tyto podmínky kdykoli bez předchozího upozornění. Jediná platná záruka je naše standardní písemná záruka. Žádné jiné záruky neposkytujeme, explicitně ani implicitně.

Servisní manuál je k dispozici na základě písemného vyžádání od Oddělení technických služeb (Technical Service Department) na následující adrese:

KILNOJAMOJO ORO ŠILDYTUVO SU TIESIOGINIU KURO PADAVIMU

EKSPLOATAVIMO INSTRUKCIJOS

DĖMESIO: Prieš montuojant, eksploatuojant ir atliekant techninę šildytuvo priežiūrą, būtina atidžiai perskaityti šias instrukcijas. Netinkamai naudodamiesi šildytuvu, galite sunkiai susižaloti.

INFORMACIJA APIE SAUGĄ

ĮSPĖJIMAI!

DĖMESIO: Prieš montuojant, eksploatuojant ir atliekant techninę šildytuvo priežiūrą, būtina atidžiai perskaityti šias instrukcijas. Netinkamai naudojantis šildytuvu, galite sunkiai susižaloti ir mirti nuo nudegimų, gaisro, sproginimo, elektros smūgio arba apsinuodijimo anglies monoksidu.

PAVOJUS: Apsinuodijimas anglies monoksidu gali būti mirtinas!

Apsinuodijimas anglies monoksidu: Pirmieji apsinuodijimo anglies monoksidu požymiai primena gripą - ima skaudėti galvą, pasidaro silpna ir gali pradėti pykinti. Jeigu pastebėjote šiuos požymius, vadinasi, netinkamai veikia šildytuvai. Nedelsiant eikite į gryną orą! Atiduokite šildytuvą, kad patikrintų. Kai kurie asmenys yra itin jautrūs anglies monoksidui. Tai nėsčios moterys, širdies arba plaučių ligomis ir mažakraujyste sergantys žmonės, alkoholio paveikti ir didesniame aukštyje esantys asmenys.

Atidžiai perskaitykite ir įsiminkite visus įspėjimus. Neišmeskite šių instrukcijų, kad galėtumėte jomis pasinaudoti ateityje. Šių instrukcijų laikymasis užtikrina saugų ir tinkamą šildytuvo darbą.

- Siekdami išvengti gaisro arba sproginimo, naudokite tik žibala ir skystą katilų kurą nr.1. Jokių būdu nenaudokite benzino, pirminio benzino, dažų skiediklių, spirito ar kitokio itin degaus kuro.
- Degalų pripildymas
 - a) Degalų pripildymu besirūpinantys asmenys turi būti tinkamai parengti ir gerai susipažinę su gamintojo instrukcijomis bei šildymo prietaisų kūrenimui taikomomis saugos taisyklėmis.
 - b) Galima naudoti tik tokio tipo kurą, kuris nurodytas šildytuvo duomenų plokštelėje.
 - c) Prieš pilant kurą, visokios kilmės liepsna, įskaitant ir uždegamąjį deglą, turi būti užgesinta, o šildytuvai - atvėsę.
 - d) Kuro pylimo metu būtina patikrinti, ar sandarūs kuro vamzdžiai ir jų jungtys. Prieš pakartotinai paleidžiant šildytuvą, protėkius būtina sutaisyti.
 - e) Pastato viduje šalia šildytuvo galima laikyti ne daugiau kaip vienos dienos kuro atsargas. Kuro sandėlis negali būti pastato viduje.
 - f) Kuras turi būti laikomas ne mažesniu kaip 8 cm atstumu nuo šildytuvų, dujinių pjoviklių, suvirinimo įrangos bei kitų panašių degimo šaltinių (išimtis - pačiame šildytuve sumontuotas kuro rezervuaras).
 - g) Jeigu įmanoma, kuro saugykla turi būti įrengta ant nelaidaus pagrindo, ant kurio nulašėjęs kuras negalėtų užsidegti.
 - h) Kuro sandėlis turi atitikti atitinkamos institucijos reikalavimus.

- Jokių būdu nenaudokite šildytuvų tokiose vietose, kur yra benzino, dažų skiediklių arba kitų lengvai užsidegančių garų.
- Eksploatuodami šildytuvą, laikykitės visų vietoje galiojančių nurodymų ir taisyklių.
- Jeigu šildytuvai yra naudojami šalia dervuotų drobių, brezentu ar kitų panašių aptvarinių medžiagų, jie turi būti pastatyti saugiu atstumu. Rekomenduojamas minimalus saugus atstumas yra 3 m. Be to, rekomenduojama, kad šios aptvarinės medžiagos būtų atsparios degimui. Visos aptvarinės medžiagos turi būti tinkamai pritvirtintos, kad nepakliūtų ant šildytuvo ir neužsidegtų.
- Šildytuvą naudokite tik gerai vėdinamoje vietoje. Prieš įjungdami šildytuvą, pasirūpinkite, kad 30 kW tekstų ne mažesnė kaip 2 800 kvadratinų centimetrų anga, pro kurią iš lauko patektų grynas oras.
- Naudokite tik tokiose vietose, kur nėra degių garų ir daug dulkių.
- Elektros įtampa ir dažnis turi atitikti modelio plokštelėje nurodytą įtampą ir dažnį.
- Naudokite tik trišakį žemintą ilginamąjį laidą.
- Minimalus atstumas tarp šildytuvo ir degių medžiagų: išėjimo anga - 250 cm; šonai, viršus ir užpakalinė dalis - 125 cm.
- Jeigu šildytuvai yra karštas arba veikiantis, statykite jį ant stabilus ir lygus pagrindo, nes gali įvykti gaisras.
- Pasirūpinkite, kad šildytuvo padėtis būtų tik tiesi, kad neištekėtų kuras.
- Neleiskite prie šildytuvo vaikų ir naminių gyvūnų.
- Jeigu šildytuvo nenaudojate, laidas turi būti ištrauktas.
- Jeigu šildytuvai naudojami su termostatu, jis gali bet kuriuo metu įsijungti.
- Jokių būdu nenaudokite šildytuvo gyvenamojoje ar miegamajame patalpoje.
- Jokių būdu neužblokuokite šildytuvo oro įleidimo (užpakalinėje dalyje) ir oro išleidimo (priekinėje dalyje) angų.
- Jokių būdu neperkelkite, netvarkykite ir nepilkite kuro, kai šildytuvai yra karštas, veikiantis arba įjungtas į lizdą.
- Jokių būdu nejunkite vamzdžių prie priekinės ar užpakalinės šildytuvo dalies.

GAMINIO APRAŠYMAS

(žr. 1 ir 2 pav. p. 2)

A. Karšto oro išėjimo anga, **B.** Rankena, **C.** Ventilatoriaus grotelės, **D.** Oro filtras Galinis dangtis, **E.** Kuro dangtelis, **F.** Laidas, **G.** Jungiklis, **H.** Šoninis dangtis, **I.** Kuro talpykla, **L.** Apatinis gaubtas, **M.** Viršutinis gaubtas, **N.** Užgesimo valdiklio atstatymo mygtukas.

IŠPAKAVIMAS

1. Nuimkite visus pakuotės įtaisus, pritaikytus šildytuvo transportavimui.
2. Išimkite iš dėžės visas dalis.
3. Patikrinkite, ar transportavimo metu kuri nors dalis nebuvo apgadinta. Jeigu šildytuvai pažeistas, nedelsdami apie tai informuokite firmos atstovą, iš kurio pirkote šildytuvą.

ĮSPĖJIMAI DEL KURO

Siekdami išvengti gaisro arba sprogdimo, naudokite tik žibala ir skystą katilų kurą nr.1. Jokiu būdu nenaudokite benzino, pirminio benzino, dažų skiediklių, spirito ar kitokio itin degaus kuro.

Nenaudokite skysto katilų kuro nr.2 arba dyzelinio kuro nr.2. Jeigu naudosite tokį kurą:

- užsikimš kuro filtras ir antgalis.
- ant uždegimo žvakės susikaups anglies.
- labai šaltu oru teks naudoti netoksinę medžiagą, apsaugančią nuo kuro sušalimo.

DĖMESIO: Naudokite tik tokią talpyklą, kurioje laikomas vien ŽIBALAS. Talpykla turi būti švari. Dėl kure esančių pašalinių medžiagų, t.y. rūdžių, nešvarumų ar vandens, gali sutrikti degimas, ir šildytuvas išsijungs. Be to, dėl pašalinių medžiagų gali tecti pernelyg dažnai valyti kuro sistemą.

KILNOJAMŲJŲ ORO ŠILDYTUVŲ SU TIESIOGINIU KURO PADAVIMU SURINKIMAS (29 kW IR 44 kW CED MODELIAI)

Šie modeliai yra su ratais ir rankenomis. Ratai, rankenos ir armatūra yra transportavimo dėžėje.

Reikalingi įrankiai

- Vidutinio dydžio atsuktuvus „Phillips“
- 3/8" veržliaraktis arba skečiamasis raktas
- Plaktukas.

1. Per laikinąją ratų konstrukciją prakiškite ašį. Ant ašies užmaukite ratus.

DĖMESIO: Kai mausite ratus, išsikišusi ratų stebulė turi būti nukreipta į ratų laikinąją konstrukciją (žr. 3 pav.).

(žr. 3 pav. p. 2)

A. Karšto oro išėjimo anga, **B.** Varžtas, **C.** Priekinė rankena, **D.** Galinė rankena, **E.** Oro įleidimo anga, **F.** Išsikišusi stebulė, **G.** Ašis, **H.** Ratas, **I.** Veržlė, **L.** Gaubiamoji veržlė, **M.** Laikancioji ratų konstrukcija, **N.** Kuro talpyklos flanšas.

VENTILIACIJA

DĖMESIO: Laikykites bent minimalių ventiliacijos reikalavimų. Netinkamos ventiliacijos atveju galimas apsinuodijimas anglies monoksidu. Prieš pradėdami eksploatuoti šildytuvą, pasirūpinkite, kad patektų pakankamai gryno oro.

Pasirūpinkite, kad 30 kW tektų ne mažesnė kaip 2800 kvadratinių centimetrų anga, pro kurią iš lauko patektų gryno oro. Jeigu naudojate kelis šildytuvus, gryno oro turėtų patekti daugiau.

Pavyzdys: eksploatuojant 44 kW šildytuvą:

- dviejų automobilių garažo durys pakeltos 15 cm
- vieno automobilio garažo durys pakeltos 23 cm
- du 76 cm pločio langai pakelti 31 cm

VEIKIMO PRINCIPAS

Kuro sistema: Oro siurblys stumia orą oro vamzdžiais. Paskui oras yra stumiamas per degiklio antgalį. Taip stumiamas oras priverčia pakilti talpykloje esantį kurą. Į degimo kamerą įpurškiami smulkūs kuro lašeliai.

Oro sistema: Variklis įjungia ventiliatorių. Ventiliatorius stumia orą į degimo kamerą ir pačioje kameroje. Šis oras yra pašildomas ir sukuria švaraus bei karšto oro srautą.

Degimo sistema: Elektroninis degiklis siunčia įtampą į

uždegimo žvakę. Uždegimo žvakė uždega kuro ir oro mišinį.

Degimo sistema: Degimo valdymo įtaisas įjungia uždegiklį. Jis uždega degimo kameroje esantį kuro ir oro mišinį. Liepsnos valdymo sistema: Ši sistema išjungia šildytuvą, jeigu užgęsta liepsna.

(žr. 4 pav. p. 2)

A. Švaraus šilto oro išėjimo vieta, **B.** Degimo kamera, **C.** Uždegimo žvakė, **D.** Degiklio galvutė, **E.** Ventiliatorius, **F.** Variklis, **G.** Oro siurblys, **H.** Įeinančio oro filtras, **I.** Šalto oro įėjimo vieta, **L.** Išeinančio oro filtras, **M.** Elektroninis degiklis, **N.** Oro vamzdis į degiklį, **O.** Kuro filtras, **P.** Antgalis, **Q.** Kuro talpykla, **R.** Kuro sistemos oras, **S.** Degimo ir šildymo oras, **T.** Kuras.

VEIKIMAS

DĖMESIO: Perskaitykite ir įsidėmėkite visas skyrelyje „Saugos informacija“ pateiktas pastabas. Jos yra skirtos saugiam šildytuvo eksploatavimui. Naudodamiesi šildytuvu laikykites visų vietoje galiojančių taisyklių.

ŠILDYTUVO ĮJUNGIMAS

1. Laikykites visų ventiliacijos ir saugos taisyklių.
2. Į kuro talpyklą įpilkite žibalo arba skysto krosnių kuro nr.1.
3. Užsukite kuro dangtelį.
4. Šildytuvo laidą įkiškite į standartinę 230 voltų / 50 hercu įžemintą lizdą. Jeigu reikia, naudokite ilginamąjį laidą. Ilginamasis laidas turi būti trišakis įžemintas laidas.

INFORMACIJA APIE ILGINAMĄJĮ LAIDĄ

Jeigu laido ilgis yra iki 30,5 metrų, reikalingas 10 mm² (16 AWG) konduktorius; jeigu 30,6-61 metras - 15 mm² (14 AWG) konduktorius. Nustatykite jungiklį į padėtį „ON“ (I) - per 5 sekundes šildytuvas turi pradėti veikti. Jeigu šildytuvas neįsijungia, paspauskite užgesimo valdiklio atstatymo mygtuką (žr. 3 pav.).

ŠILDYTUVO IŠJUNGIMAS

Nustatykite jungiklį į padėtį „OFF“ (O).

PAKARTOTINIS ŠILDYTUVO ĮJUNGIMAS

1. Sustabdę šildytuvą palaukite 2 minutes.
2. Pakartokite skyrelyje „Šildytuvo įjungimas“ nurodytus veiksmus.

(žr. 5 ir 6 pav. p. 2)

A. Užgesimo valdiklio atstatymo mygtukas, **B.** Jungiklis.

LAIKYMAS IR TRANSPORTAVIMAS

Pastaba: Jeigu pervežimo kompanijos reikalauja, kad kuro talpykla būtų tuščia:

1. Išpilkite iš kuro talpyklos degalus. Pastaba: Kai kurių modelių šildytuvų kuro išpylimo anga yra kuro talpyklos apačioje. Tokiu atveju ištraukite kaištį ir išleiskite kurą. Jeigu šildytuvas yra be kuro išpylimo angos, kurą išpilkite pro kuro įpylimo angą su dangteliu. Patikrinkite, ar išbėgo visas kuras.
2. Įstatykite kuro išpylimo angos kaištį.
3. Jeigu pastebėjote, kad išbėgusiame kure yra nuosėdų, į kuro talpyklą įpilkite vieną dvi kvortas (1 kvorta - 1,14 litro) švaraus žibalo, pamaišykite ir vėl išpilkite. Taip pasirūpinsite, kad ateityje nuosėdos neužkimštų filtrų.
4. Užsukite kuro įpylimo angos dangtelį arba įstatykite kuro išpylimo angos kaištį. Tinkamai pasirūpinkite senu ir nešvari kuru. Kreipkitės į automobilių priežiūros centrus, kurie apdoroja kurą.
5. Šildytuvą laikykite tik sausoje vietoje. Šildytuvas turi būti laikomas tokioje vietoje, kur nėra dulkių ir korozinių garų.

DĖMESIO: Nelaikykite žibalo per vasarą tikėdamiesi jį panaudoti kitam šildymo sezonui. Senas kuras gali pakenkti šildytuvui.

PROFILAKTINĖS TECHNINĖS PRIEŽIŪROS GRAFIKAS

ĮSPĖJAME: Jokiu būdu nieko nedarykite, jeigu šildytuvus yra įjungtas į elektros lizdą, veikiantis arba karštas. Galimi nudegimai arba elektros smūgis.

Dalis	Intervalas	Ką daryti
Kuro talpykla	Praplaukite kas 150-200 darbo valandų arba reikalui esant.	Žr.: „Laikymas ir transportavimas“
Oro išleidimo angos ir medvilniniai filtrai	Keiskite kas 500 darbo valandų arba kartą metuose.	Žr.: „Oro išleidimo / įleidimo angų ir medvilniniai filtrai“ (p. 4)
Oro įleidimo angos filtrai	Plaukite vandeniu su muilu ir išdžiovinkite kas 500 atidirbtų valandų arba reikalui esant.	Žr.: „Oro išleidimo / įleidimo angų ir medvilniniai filtrai“ (p. 4)
Kuro filtras	Valykite du kartus per šildymo sezoną arba reikalui esant.	Žr.: „Kuro filtras“ (p. 5)
Uždegimo žvakė	Kas 600 eksploatavimo valandų nuvalykite ir vėl padarykite tarpelį arba, esant reikalui, pakeiskite	Žr.: „Uždegimo žvakė“ (p. 5)
Ventiliatoriaus sparnai	Valykite kiekvieną sezoną arba reikalui esant.	Žr.: „Ventiliatorius“ (p. 5)
Variklis	Priežiūros nereikia / nuolat suteptas.	

GEDIMŲ PAIEŠKA IR ŠALINIMAS

ĮSPĖJAME: Jokiu būdu nieko nedarykite, jeigu šildytuvus yra įjungtas į elektros lizdą, veikiantis arba karštas. Galimi nudegimai arba elektros smūgis.

NUSTATYTAS DEFEKTAS	GALIMA PRIEŽASTIS	GEDIMO ŠALINIMAS
Šildytuvus įsijungia, tačiau užgesimo valdiklis po trumpo periodo išjungia šildytuvą	<ol style="list-style-type: none"> 1. Blogas siurblio slėgis 2. Nešvarus oro įleidimo ir išleidimo angos ir medvilninis filtras 3. Nešvarus kuro filtras 4. Nešvarumai antgalyje 5. Nešvarūs fotoelemento lėšiai 6. Blogas užgesimo valdiklis 	<ol style="list-style-type: none"> 1. Žr.: „Siurblio slėgio reguliavimas“ (p. 4) 2. Žr.: „Oro įleidimo ir išleidimo angos ir medvilninis filtras“ Filtrai (p. 4) 3. Žr.: „Kuro filtras“ (p. 4) 4. Žr.: „Antgalis“ (p. 5) 5. Nuvalykite fotoelemento lėšius 6. Pakeiskite užgesimo valdiklį
Šildytuvus neįsijungia, tačiau variklis trumpą periodą veikia.	<ol style="list-style-type: none"> 1. Netinkamas siurblio slėgis 2. Anglies nuosėdos ant uždegimo žvakės ir (arba) netinkamas tarpelis 3. Nešvarus kuro filtras 4. Nešvarumai antgalyje 5. Kuro talpykloje yra vandens 	<ol style="list-style-type: none"> 1. Žr.: „Siurblio slėgio reguliavimas“ (p. 4) 2. Žr.: „Uždegimo žvakė“ (p. 4) 3. Žr.: „Kuro filtras“ (p. 4) 4. Žr.: „Antgalis“ (p. 4) 5. Išleiskite iš kuro talpyklos kurą ir praplaukite ją švariu žibalu. Žr.: „Laikymas ir transportavimas“ (p. 5)
DĖMESIO: Aukšta įtampa!		
	<ol style="list-style-type: none"> 6. Elektroninis degiklis neįžemintas 7. Blogas elektroninis degiklis 	<ol style="list-style-type: none"> 6. Patikrinkite, ar elektroninis degiklis tvirtai sumontuotas 7. Pakeiskite elektroninį degiklį
Variklis nepasileidžia, kai įjungiamas šildytuvus, ventiliatorius sukasi lėtai arba visiškai nesisuka.	<ol style="list-style-type: none"> 1. Užgesimo valdiklis neatsistatė 2. Užsikirtęs siurblio rotorius 	<ol style="list-style-type: none"> 1. Atstatykite užgesimo valdiklio mygtuką, žr. 5 ir 6 pav. (p. 4) 2. Jeigu ventiliatorius sunkiai sukasi, žr.: „Siurblio rotorius“ (p. 4)

TECHNINĖ PRIEŽIŪRA

[SPĖJAME: Jokiū būdu nieko nedarykite, jeigu šildytuvus yra įjungtas į elektros lizdą, veikiantis arba karštas. Galimi nudegimai arba elektros smūgis.

VIRŠUTINIO GAUBTO NUĖMIMAS

1. 5/16" veržliarakč.
2. Iu nuo abiejų šildytuvo šonų atsukite varžtus ir antveržles. Šie varžtai jungia viršutinį ir apatinį šildytuvo gaubtus.
3. Nukelkite viršutinį gaubtą.
4. Nuimkite ventiliatoriaus groteles.

KURO FILTRAS

(10 kW ir 20 kW CED modeliai)

1. 5/16" veržliarakčiu atsukite šoninio dangčio varžtus.
2. Nuimkite šoninį dangtį.
3. Nuo kuro filtro kaklelio nutraukite guminę kuro žarnelę.
4. Iš kuro talpyklos atsargiai ištraukite įdėklą ir kuro filtrą.
5. Nuplaukite kuro filtrą švariu kuru ir vėl įdėkite jį į kuro talpyklą.
6. Prie kuro filtro kaklelio prijunkite guminę kuro žarnelę.
7. Uždėkite šoninį dangtį.

KURO FILTRAS

(29 kW ir 44 kW CED modeliai)

1. 5/16" veržliarakčiu atsukite šoninio dangčio varžtus.
2. Nuimkite šoninį dangtį.
3. Nuo kuro filtro kaklelio nutraukite viršutinę kuro žarnelę.
4. Iš kuro talpyklos atsargiai ištraukite įdėklą, apatinę kuro žarnelę ir kuro filtrą.
5. Nuplaukite kuro filtrą švariu kuru ir vėl įdėkite jį į kuro talpyklą.
6. Prie kuro filtro kaklelio prijunkite viršutinę kuro žarnelę.
7. Uždėkite šoninį dangtį.

(žr. 7 ir 8 pav. p. 2)

A. Viršutinis gaubtas, **B.** Ventiliatoriaus grotelės

(žr. 9 pav. p. 2)

A. Kuro filtras, **B.** Šoninis dangtis, **C.** Kuro žarnelė

(žr. 10 pav. p. 2)

A. Kuro filtras, įdėklas ir apatinė kuro žarnelė, **B.** Viršutinė kuro žarnelė, **C.** Šoninis dangtis.

UŽDEGIMO ŽVAKĖ

(10 kW CED modelis)

1. Nuimkite viršutinį gaubtą (žr. p. 4)
2. Nuimkite ventiliatorių (žr. p. 5)
3. Nuo antgalio montažo nuimkite kuro ir oro tiekimo žarnas.
4. Nuo uždegimo žvakės atjunkite uždegimo žvakės laidus.
5. Naudodamiesi 5/16" veržliarakčiu išsukite du varžtus ir nuimkite degiklio sąvaržą.
6. Šešiakampį uždegimo žvakės korpusą įdėkite į spaustuvus ir suveržkite.
7. Naudodamiesi 11/16" vamzdiniu veržliarakčiu atsukite uždegimo žvakės montažo veržlę.
8. Nuo uždegimo žvakės nuimkite degiklio sąvaržą.
9. Nuvalykite ir vėl tarp uždegimo žvakės elektrodų padarykite 1,4 mm tarpelį.
10. Ant uždegimo žvakės vėl uždėkite degiklio sąvaržą. Degiklio sąvaržą pasukite taip, kad uždegimo žvakės elektrodai būtų savo vietoje (žr. 4 pav.).
11. Uždegimo žvakės montažo veržlę priveržkite uždegimo žvakę.
12. Šešiakampį uždegimo žvakės korpusą išimkite iš spaustuvų.

13. Ant degimo kameros vėl uždėkite degiklio sąvaržą.
14. Prie uždegimo žvakės prijunkite uždegimo žvakės laidą.
15. Prijunkite prie antgalio kuro ir oro vamzdžius.
16. Įstatykite ventiliatorių (žr. p. 5).
17. Uždėkite ventiliatoriaus groteles ir viršutinį gaubtą.

(žr. 11 pav. p. 2)

A. Degimo kamera, **B.** Degiklio sąvaržos montavimo veržlė
C. Degiklio sąvaržą, **D.** Uždegimo žvake, **E.** Uždegimo žvakės laidas, **F.** Antgalio montažas, **G.** Kuro vamzdis, **H.** Oro vamzdis

(žr. 12 pav. p. 2)

A. Lenkite čia tarpeliui reguliuoti

(žr. 13 pav. p. 2)

A. Degiklio sąvaržą

UŽDEGIMO ŽVAKĖ

(20 kW, 29 kW, 44 kW CED modeliai)

1. Nuimkite viršutinį gaubtą (žr. p. 4).
2. Nuimkite ventiliatorių (žr. p. 5).
3. Nuo uždegimo žvakės atjunkite uždegimo žvakės laidas.
4. Naudodamiesi 13/16" vamzdiniu veržliarakčiu uždegimo žvakę atsukite nuo degiklio galvutės.
5. Nuvalykite ir tarp uždegimo žvakės elektrodų padarykite tokius tarpelius: 20 kW ir 29 kW CED modeliai: 1,9 mm tarpelis 44 kW CED modeliai: 2,8 mm tarpelis
6. Degiklio galvutėje sumontuokite uždegimo žvakę.
7. Prie uždegimo žvakės prijunkite uždegimo žvakės laidą.
8. Įstatykite ventiliatorių (žr. p. 5).
9. Uždėkite ventiliatoriaus groteles ir viršutinį gaubtą.

(žr. 14 pav. p. 3)

A. Degiklio galvutė, **B.** Uždegimo žvakės laidas, **C.** Uždegimo žvakė

(žr. 15 pav. p. 3)

A. Lenkite čia tarpeliui reguliuoti, **B.** Tarpelis.

ORO ĮLEIDIMO / IŠLEIDIMO ANGŲ IR MEDVILNINIAI FILTRAI

1. Nuimkite viršutinį gaubtą (žr. p. 4).
 2. 5/16" veržliarakč.
 3. Iu atsukite filtro apatinio dangtelio varžtus.
 4. Nuimkite filtro apatinį dangtelį.
 5. Įstatykite oro išleidimo ir medvilninį filtrus.
 6. Nuplaukite arba pakeiskite oro įleidimo angos filtrą (žr. „Profilaktinės techninės priežiūros grafikas“ (p. 5).
 7. Įstatykite filtro apatinį dangtelį.
 8. Uždėkite ventiliatoriaus groteles ir viršutinį gaubtą.
- D. MESIO:** Nesutepkite filtrų.

SIURBLIO SLĖGIO REGULIAVIMAS

1. Iš filtro apatinio dangtelio ištraukite manometro kaištį.
2. Įstatykite pagalbinį manometrą (dalies nr. 4109.427).
3. Įjunkite šildytuvą (žr. p.5). Leiskite varikliui pasiekti visą greitį.
4. Sureguliuokite slėgį. Jeigu norite padidinti slėgį, sukite slėgio numetimo vožtuvą dešinėn. Jeigu norite sumažinti slėgį, sukite slėgio numetimo vožtuvą kairėn. Tinkamas kiekvieno modelio slėgis nurodytas toliau pateiktoje specifikacijoje.
5. Nuimkite manometrą. Į filtro apatinį dangtelį įstatykite manometro kaištį

(žr. 16 ir 17 pav. p. 3)

A. Oro įleidimo angos filtras, **B.** Apatinis filtro dangtelis, **C.** Ventiliatoriaus grotelės, **D.** Oro išleidimo angos filtras, **E.** Medvilninis filtras.

Modelis	Siurblio slėgis (Bar/PSI)
10 kW	0,207 / 3
20 kW	0,365 / 5,3
29 kW	0,275 / 4
44 kW	0,337 / 4,9

(žr. 18 pav. p. 3)

A. Manometro kaištis, **B.** Siurblio numetimo vožtuvas, **C.** Tappo di plastica

(žr. 19 pav. p. 3)

A. Manometras

ANTGALIS

1. Nuimkite viršutinį gaubtą (žr. p. 4)
2. Nuimkite ventiliatorių (žr. 5 psl.)
3. Atjunkite nuo antgalio kuro ir oro vamzdžius
4. Pasukite antgalį ketvirtadaliu pasukimo į kairę, kilstelėkite variklio link ir nuimkite.
5. Įstatykite į spaustuva plastikinę šešiakampę dalį ir lengvai priveržkite.
6. 5/8" galiniu raktu atsargiai nuimkite antgalį nuo antgalio adapterio.
7. Suspaustu oru prapūskite antgalį. Taip pašalinsite ten susikaupusius nešvarumus.
8. Patikrinkite antgalio tarpiklį.
9. Įstatykite antgalį į antgalio adapterį. 5/8" galiniu raktu pasukite 1/3 pasukimo ir priveržkite (sukimo momentas - 4,5-5,1 Nm (40-45 coliai svarui)).
10. Prijunkite antgalį prie degiklio apkabos.
11. Prijunkite prie antgalio kuro ir oro vamzdžius.
12. Įstatykite ventiliatorių (žr. 5 psl.)
13. Uždėkite ventiliatoriaus groteles ir viršutinį gaubtą.

(žr. 20 ir 21 pav. p. 3)

A. Degimo kamera, **B.** Degiklio sąvarža, **C.** Antgalio montažas
D. Kuro vamzdis, **E.** Oro vamzdis

(žr. 22 pav. p. 3)

A. Antgalio galiukas, **B.** Antgalio tarpiklis, **C.** Kuro vamzdžio prijungimo elementas, **D.** Oro vamzdžio prijungimo lementas, **E.** Antgalis Derintuvas, **F.** Antgalis

ANTGALIS

(20 kW, 29 kW, 44 kW CED modeliai)

1. Nuimkite viršutinį gaubtą (žr. p. 4).
2. Nuimkite ventiliatorių (žr. p. 5).
3. Nuo degiklio galvutės atjunkite kuro ir oro linijų žarnas.
4. Nuo uždegimo žvakės atjunkite uždegimo žvakės laidus.
5. Naudodamiesi 13/16" vamzdiniu veržliarakčiu atsukite uždegimo žvakę nuo degiklio galvutės.
6. Naudodamiesi 5/16" veržliarakčiu atsukite tris varžtus ir nuo degimo kameros nuimkite degiklio galvutę.
7. Degiklio galvutę įdėkite į spaustuvus ir nestipriai priveržkite.
8. Naudodamiesi 5/8" galiniu raktu atsargiai nuimkite antgalį nuo antgalio adapterio (žr. 24 pav.).
9. Suspaustu oru prapūskite antgalį. Taip pašalinsite ten susikaupusius nešvarumus.
10. Patikrinkite antgalio tarpiklį.
11. Antgalį vėl įdėkite į degiklio galvutę ir tvirtai priveržkite (9,1-12,4 n-m/80-110 colis-svarai).
12. Degiklio galvutę pritvirtinkite prie degimo kameros.
13. Degiklio galvutėje sumontuokite uždegimo žvakę.
14. Prie uždegimo žvakės prijunkite uždegimo žvakės laidą.
15. Prijunkite prie degiklio galvutės kuro ir oro vamzdžius.
16. Įstatykite ventiliatorių (žr. p. 5).
17. Uždėkite ventiliatoriaus groteles ir viršutinį gaubtą.

(žr. 23 pav. p. 4)

A. Degimo kamera, **B.** Degiklio galvutė, **C.** Uždegimo žvakės laidas, **D.** Uždegimo žvakė, **E.** Kuro vamzdis, **F.** Oro vamzdis
G. Varžtas

(žr. 24 pav. p. 4)

A. Antgalio galiukas, **B.** Antgalio tarpiklis, **C.** Kuro vamzdžio prijungimo elementas, **D.** Oro vamzdžio prijungimo elementas
E. Degiklio galvutė, **F.** Antgalis

SIURBLIO ROTORIUS

(Veiksmi, jei užsikerta rotorius)

1. Nuimkite viršutinį gaubtą (žr. p. 4)
2. 5/16" veržliarakčiu atsukite apatinio filtro dangtelio varžtus.
3. Nuimkite apatinį filtro dangtelį ir oro filtrus.
4. 5/16" veržliarakčiu atsukite siurblio plokštės varžtus.
5. Nuimkite siurblio plokštę.
6. Nuimkite rotorius, įvorę ir sparnus.
7. Patikrinkite, ar siurblyje nėra nešvarumų. Jeigu siurblyje yra nešvarumų, išpūskite juos suspaustu oru.
8. Įdėkite įvorę ir rotorius.
9. Patikrinkite rotoriaus tarpelį. Jeigu reikia, pareguliuokite, kad rotoriaus tarpelis būtų 0,076/0,101 mm (žr. 27 pav.).
Pastaba: pasukite rotorius vienu visu pasukimu ir patikrinkite, ar tarpelis tikrai yra 0,076/0,101 mm. Jeigu reikia, dar kartą pareguliuokite.
10. Įstatykite sparnus, siurblio plokštelę, oro filtrus ir apatinį filtro dangtelį.
11. Uždėkite ventiliatoriaus groteles ir viršutinį gaubtą.
12. Sureguliuokite siurblio slėgį (žr. p. 10) *Pastaba:* jeigu rotorius ir dabar yra užsikirtęs, darykite taip:
13. Pakartokite 1-6 veiksmus.
14. Ant plokščio paviršiaus uždėkite smulkų švitrinį popierių (600-ojo smulkumo). Keturis kartus padarykite „aštuntuko“ judesius ir pašlifokuokite rotorius (žr. 28 pav.).
15. Įdėkite įvorę ir rotorius.
16. Pakartokite 10-12 veiksmus.

(žr. 25 ir 26 pav. p. 4)

A. Sparnas, **B.** Siurblio plokštė, **C.** Oro ileidimo angos filtras
D. Apatinis filtro dangtelis, **E.** Ventiliatoriaus grotelės, **F.** Oro išleidimo angos filtras, **G.** Rotorius **H.** Įvorė

(žr. 27 pav. p. 4)

A. Tarpelį reguliuojantis varžtas, **B.** 0,076/0,101 mm tarpelis,
C. Sparnas

(žr. 28 pav. p. 4)

A. Švitrinis popierius

VENTILIATORIUS

DĖMESIO: Prieš nuimdami variklį nuo šildytuvo, pirmiausia nuo variklio nuimkite veleno ventiliatorių. Į ventiliatorių besiremiančio variklio svoris gali pakenkti ventiliatoriaus žingsniui.

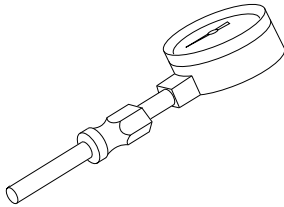
1. Nuimkite viršutinį gaubtą (žr. p. 4)
2. M 2,5 universalioju veržliarakčiu atsukite fiksavimo varžtą, laikantį ventiliatorių prie variklio veleno.
3. Nuimkite nuo variklio veleno ventiliatorių.
4. Žibalu ar tirpikliu suvilgyta šluoste ventiliatorių nuvalykite.
5. Ventiliatorių gerai nusauskite.
6. Uždėkite ventiliatorių ant variklio veleno. Ventiliatoriaus stebulė turi liestis su variklio veleno galu (žr. 30 pav.)
7. Uždėkite ant veleno fiksavimo varžtą. Gerai jį priveržkite, sukimo momentas - 4,5-5,6 Nm (40-50 colių svarui).
8. Uždėkite ventiliatoriaus groteles ir viršutinį gaubtą.

(žr. 29 ir 30 pav. p. 3)

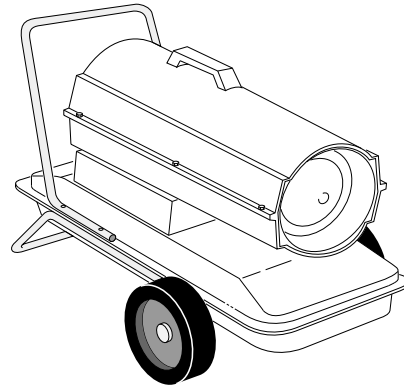
A. Ventiliatorius, **B.** Variklio velenas, **C.** Fiksavimo varžtas, **D.** Sandūra.

PRIEDAI

Priedus galite įsigyti pas vietos firmos atstovą.

**ORO SLĖGMATIS 4109.427**

Visiems modeliams. Specialus priedas siurblio slėgiui pamatuoti.

**GALINGESNIŲ RATŲ IR RANKENŲ
KOMPLEKTAS 4103.925**

Sudėtingomis eksploataavimo sąlygomis naudoti. Šildytuvus lengviau ir patogiau kilnojamas. 10 kW ir 20 kW CED modeliai.

INFORMACIJA APIE GARANTINĘ PRIEŽIŪRĄ**SUTEIKIAMA VIENERIŲ METŲ GARANTIJA**

Kompanija „DESA Italia“ užtikrina, kad jos parduodami nauji gaminiai neturės medžiaginių ar darbo defektų vienerius metus nuo produkto pristatymo pirmajam vartotojui dienos, jeigu bus laikomasi šių sąlygų:

Garantiniai kompanijos „DESA Italia“ įsipareigojimai ir atsakomybė apsiriboja tuo, kad kompanija patikrina ir suremontuoja arba pakeičia tas dalis, kurios su medžiaginiais arba darbo defektais buvo išsiųstos iš gamyklos. Šias dalis vartotojas gali nemokamai atsiimti įprastomis darbo valandomis bet kuriame įgaliotame priežiūros centre ar gamykloje. Ši garantija nebus taikoma toms sudedamosioms dalims ir priedams, kurių negamina kompanija „DESA Italia“ ir kurioms galioja gamintojo garantija, bei įprastoms sunaudojamos dalims (pvz., filtrams ir degimo žvakėms), taip pat nebus teikiama techninės priežiūros (pvz., slėgio reguliavimo) garantija. Dalims, pakeistoms ar suremontuotoms šios garantijos sąlygomis, garantija bus taikoma tik likusiam garantiniam laikotarpiui, kaip ir kitoms originalioms produkto dalims. KOMPANIJA „DESA EUROPE“ NETEIKIA JOKIŲ KITŲ GARANTIJŲ. ATSIŽVELDGAMA Į ĮSTATYMUS, KOMPANIJA „DESA ITALIA“ NETEIKIA JOKIOS KITOS NUMANOMOS GARANTIJOS IR NEUŽTIKRINA PREKŠ PERKAMUMO AR JOS TINKAMUMO KURIAM NORS KONKREČIAM TIKSLUI. TAČIAU VIS AIS ATVEJ AIS VISA NUMANOMA GARANTIJA, ĮSKAITANT IR PERKAMUMĄ

BEI TINKAMUMĄ KURIAM NORS KONKREČIAM TIKSLUI, GALIOJA TIK NUSTATYTU GARANTINIŲ LAIKOTARPIU.

Vartotojas padengia visas gabenimo ir montavimo išlaidas, sumoka maito mokesčius bei kitas rinkliavas. Vadovaudamasi šios garantijos sąlygomis, kompanija „DESA Italia“ neatsako už tiesioginę, netiesioginę, nenumatytą ar kitą žalą bei su vėlavimu susijusius nuostolius. Kompanijos „DESA Italia“ reikalavimu, produktai ar dalys, kurių atžvilgiu yra teikiamos garantinės pretenzijos, turi būti gražintos gamyklai iš anksto sumokėjus už vežimą. Garantija nustoja galioti tuo atveju, jeigu šildytuvas yra netinkamai eksploatuojamas, taip pat jei jis naudojamas su defektuotomis ar susidėvėjusiomis dalimis, jeigu netinkama apkrova, jeigu naudojamos kompanijos „DESA Italia“ nepatvirtintos dalys, jeigu šildytuvas buvo modifikuotas ar suremontuotas tokiu būdu, kuris, kompanijos „DESA Italia“ nuomone, kenkia produktui.

BE RAŠTIŠKO KOMPANIJOS „DESA EUROPE“ ATSAKINGOJO DARBUOTOJO LEIDIMO, SURAŠYTO IR PASIRAŠYTO CENTRINĖJE KOMPANIJOS BUVEINĖJE, NĖ VIENAS DARBUOTOJAS AR ATSTOVAS NETURI JOKIOS TEISĖS KEISTI ŠIOS GARANTIJOS SĄLYGŲ IR TEIKTI KITŲ GARANTIJŲ.

GARANTINĖ PRIEŽIŪRA

Palaikydami ryšius su gamykla, kaskart nurodykite modelį ir serijos numerį.

Mes pasiliegame sau teisę be atskiro įspėjimo keisti čia pateiktas specifikacijas. Vienintelė galiojanti garantija yra mūsų standartinė raštiška garantija. Mes nesuteikiame jokių kitų aiškiai išreikštų ar numanomų garantijų. Dėl techninės priežiūros instrukcijų kreipkitės į Techninės priežiūros skyrių šiuo adresu:

TEISALDATAV OTSEKÜTTEGA ÕHUSOOJENDI

KASUTUSJUHEND

NB! Enne õhusoojendi kokkupanemist, käivitamist või hooldamist tuleb läbi lugeda ja endale selgeks teha käesoleva kasutusjuhendi sisu. Õhusoojendi vale kasutamine võib tekitada tõsiseid vigastusi.

OHUTUSJUHISED

HOIATUSED!

NB! Enne õhusoojendi kokkupanemist, tööle panemist või hooldamist lugeda käesolev kasutusjuhend hoolikalt ja täielikult läbi. Õhusoojendi vale kasutamine võib tekitada tõsiseid vigastusi ja põhjustada surma põletuste, tulekahju, plahvatuse, elektrilöögi või süsinikmonooksiidi (vingugaasi) mürgituse läbi.

OHT. Süsinikmonooksiidi mürgitus võib põhjustada surma!

Süsinikmonooksiidi mürgituse esmased sümptomid meenutavad peavalu, peapöörituse ja/või iiveldusega grippi. Kui esinevad nimetatud sümptomid, võib põhjuseks olla, et õhusoojendi ei tööta korralikult. Minna koheselt värske õhu kätte! Viia õhusoojendi hooldusesse. Süsinikmonooksiidi mõju avaldub tugevamini rasedatel naistel, südame- või kopsuhaigetel, kehvrerese all kannatajatel, alkoholihoobes olevatele isikutel ja merepinnast suurel kõrgusel olevatel isikutel.

Kindlasti tuleb läbi lugeda kõik hoiatused ja nende sisu endale selgeks teha. Hoida käesolev juhend hilisemaks kasutuseks alles. Juhend on vajalik õhusoojendi ohutuks ja õigeks kasutamiseks.

- Tulekahju- või plahvatusohu vältimiseks kasutada ainult petrooleumi või kütteõli nr 1. Mitte kunagi ei tohi kasutada bensiini, naftat, värvivedeldeid, alkoholi või muid kergsüttivaid kütuseid.
- Kütuse lisamine
 - a) Kütust võib lisada ainult kvalifitseeritud töötaja, kes on põhjalikult tuttav kasutusjuhendiga ning õhusoojendite kütusega täitmise kehtivate ohutuseeskirjadega.
 - b) Kasutada tohib ainult õhusoojendi andmeplaadil toodud kütusetüüpi.
 - c) Kütust ei tohi lisada enne, kui kõik leegid, sealhulgas ka süütleek, on kustunud ning õhusoojendi on korralikult maha jahtunud.
 - d) Tankimisel tuleb kontrollida lekete puudumist kõigis kütusetorudes ja ühendustes. Kõik lekkes tuleb enne õhusoojendi uuesti kasutusele võtmist kõrvaldada.
 - e) Hoones, kus õhusoojendi asub, ei tohi kunagi hoida rohkem kütust kui ühe päeva jagu. Suuremaid kütusekoguseid tuleb hoida eraldi hoones.
 - f) Kütust ei tohi kunagi hoida õhusoojenditele, põletitele, keevitusseadmetele ja teistele sarnastele süütleallikatele lähemal kui 8 m kaugusel (välja arvatud soojendusüksusega kokkuehitatud kütusepaagis).
 - g) Kütuse hoidmisel tuleb silmas pidada, et otse hoiukoha all oleval korrusel ei asuks lahtist tulekollet, mille peale kütus võiks põrandast läbi imbumisel tilkuda ja süttida.
 - h) Kütust tuleb hoida vastavalt kehtivatele eeskirjadele.
- Kui õhus on bensiini või värvivedeldi auru või mõnda muud

kergsüttivat auru, ei tohi õhusoojendit kasutada.

- Õhusoojendi kasutamisel järgida kõiki kohalikke eeskirju ja seadusi.
- Presendi, kangaste või muude sarnaste kattematerjalide läheduses kasutatavad õhusoojendid peavad asuma neist materjalidest ohutul kaugusel. Minimaalne soovitatav vahetäolisus on 3 m. Lisaks on soovitatav, et kattematerjalid oleksid tuldtõkestavast materjalist. Kattematerjalid peavad olema kindlalt kinnitatud, et nad tuules liikudes õhusoojendile liiga lähedale ei satuks, kus nad võivad süttida või õhusoojendi tööd ei häirida.
- Kasutada ainult hästi ventileeritud piirkonnas. Enne õhusoojendi kasutuselevõtmist tuleb tagada, et selle ümber oleks iga 30 kW nimivõimsuse kohta vähemalt 2800 cm² värske välisõhu juurdepääsuks.
- Mitte kasutada kergsüttivate aurude läheduses ja kõrge tolmu- kontsentratsiooniga ruumides.
- Kasutada ainult andmeplaadil nimetatud elektripinget ja saagedust.
- Kasutada ainult kolmesoonelist maandusega pikendusjuhet.
- Õhusoojendi vähimad lubatud kaugused süttivatest materjalidest: õhu väljavooluava 2,5 m küljed, üla- ja tagaosa 1,25 m.
- Tulekahju vältimiseks paigutada kuum või töötav õhusoojendi kindlale tasasele pinnale.
- Et kütus maha ei loksuks, peab kuumuti olema teisaldamisel või hoiulepanekul püstasendis.
- Lapsed ja loomad tuleb õhusoojendist eemal hoida.
- Kui õhusoojendit ei kasutata, tuleb toitejuhtme pistik pistikupeast välja tõmmata.
- Termostaadi kasutamisel võib õhusoojendi käivituda mis tahes hetkel.
- Mitte kunagi ei tohi õhusoojendit kasutada elu- ega magamisruumides.
- Mitte kunagi ei tohi kinni katta õhu sisse- (taga) ega väljavooluava (ees).
- Kui õhusoojendi on tuline, mittekomplektne, töötab või on elektrivõrku ühendatud, ei tohi seda teisaldada, remontida, sellele hooldustöid teha ega kütust lisada.
- Mitte kunagi ühendada õhusoojendi sisse- ega väljavooluava õhukanalitega.

TOOTE TÄHISTUS KASUTUSJUHEDIS

(vt joonised 1 ja 2, k 2)

A. Kuuma õhu väljavooluava, **B.** Käepide, **C.** Ventilatoori kaitsekate, **D.** Õhufilter-Otsakate, **E.** Kütusepaagi kork, **F.** Toitejuhe, **G.** SISSE/VÄLJA lüliti, **H.** Külgakate, **I.** Kütusepaak, **L.** Alumine kate, **M.** Ülemine kate, **N.** Leegikontrolliseadise taaslähtestusnupp.

LAHTIPAKKIMINE

1. Võtta ära õhusoojendi transpordipakend.
2. Võtta kõik detailid kastist välja.
3. Kontrollida kõiki detaile transpordikahjustuste suhtes. Kui õhusoojendi on kahjustatud, tuleb sellest viivitamata teatada seadme müünud ettevõttele.

ETTEVAATUSABINÕUD KÜTUSE KASUTAMISEL

Tulekahju- või plahvatusohu vältimiseks kasutada ainult petrooleumi või kütteõli nr 1. Mitte kunagi ei tohi kasutada bensiini, naftat, värvivedeldeid, alkoholi või muid kergsüttivaid kütuseid.

Ei tohi kasutada raskeid kütuseid nagu kütteõli nr 2 või diislikütus nr 2. Raskete kütuste kasutamisel:

- ummistuvad kütusefilter ja -pihusti kiiresti
- süüteküünal tahmub.

NB! Kütusemahuti kasutada AINULT PETROOLEUMI tarbeks. Veenduda, et mahuti, kus kütust hoitakse, on puhas. Mahutisse sattunud võõrkehade (nt rooste, mustus, vesi) võivad põhjustada õhusoojendi väljalülitumise leegikontrolliseadise rakendumise tõttu. Võõrkehade mahutisse sattumisel võib tekkida vajadus kütusesüsteemi sagedamini puhastada.

TEISALDATAVATE OTSEKÜTTEGA
ÕHUSOOJENDITE KOKKUPANEK

(Ainult mudelid võimsusega 29 kW ja 44 kW)

Nimetatud mudelid on varustatud rataste ja käepidemetega. Rattad, käepidemed ja kinnitamiseks vajalikud detailid on transpordipakendis.

Vajalikud tööriistad:

- keskmise suurusega ristpeakruvikeeraja
- 3/8" mutrivõti või reguleeritav mutrivõti
- haamer.

1. Libistada rataste telg läbi rattatugiraami. Kinnitada rattad telje külge.

(vt joonised 3, k 2)

A. Kuuma õhu väljavooluava, **B.** Krui, **C.** Eesmine käepide, **D.** Tagumine käepide, **E.** Õhu sissevooluava, **F.** Rummu väljalaulatav osa, **G.** Telg, **H.** Ratas, **I.** Mutter, **L.** Kübarmutter, **M.** Rataste tugiraam, **N.** Kütusepaagi äärik.

VENTILATSIOON

HOIATUS. Tuleb jälgida, et õhusoojendile oleks tagatud vähemalt minimaalne värske välisõhu juurdevool. Kui piisavat õhu juurdevoolu ei tagata, võib tekkida süsinikmonoksiidi mürgitus. Seetõttu tuleb enne õhusoojendi kasutuselevõtmist kindlasti tagada sellele piisav õhu juurdevool.

Iga 30 kW nimivõimsuse kohta peab õhusoojendi ümber olema vähemalt 2800 cm² ruumi värke välisõhu juurdepääsuks. Suurema võimsusega õhusoojendid vajavad veelgi suuremat õhu juurdevoolu.

Näiteks: 44 kW õhusoojendi korral peab:

- kahele autole mõeldud garaaži uks olema tõstetud 15 cm
- ühele autole mõeldud garaaži uks olema tõstetud 23 cm
- kaks 76 cm akent olema avatud 31 cm.

TÖÖPÕHIMÕTE

Kütusesüsteem. Õhupump surub õhu läbi õhutoru. Seejärel suunatakse õhk läbi põleti peadüüsi. Õhu liikumise tagajärjel imetakse kütusepaagist kütus üles. Põlemiskambrisse pihustatakse peen kütuseudu.

Õhusüsteem. Elektrimootor paneb pöörlema ventilaatori. Ventilaator surub õhu põlemiskambrisse ja selle ümbrusesse. Õhk kuumeneb ning saadakse puhta kuuma õhu vool.

Süütesüsteem. Elektroonilisest süüturist juhitakse pinge süüteküünlale. Süüteküünal süütab kütuse ja õhu segu.

Leegikontrolliseadis. Lülitab leegi kustumisel õhusoojendi välja.

(vt joonised 4, k 2)

A. Puhta kuumutatud õhu väljavool, **B.** Põlemiskamber, **C.** Süüteküünal, **D.** Põletipea, **E.** Ventilaator, **F.** Mootor, **G.** Õhupump, **H.** Siseneva õhu filter, **I.** Külma õhu sissevool, **L.** Väljuva õhu filter, **M.** Elektrooniline süütur, **N.** Põletisse suunduv õhutoru, **O.** Kütusefilter, **P.** Pihusti, **Q.** Kütusepaak, **R.** Õhk kütusesüsteemile, **S.** Õhk põlemiseks ja kuumutamiseks, **T.** Kütus.

ÕHUSOOJENDI KASUTAMINE

HOIATUS. Lugeda uuesti läbi ohutusjuhistes toodud hoiatused ja toimida neile vastavalt. Õhusoojendi ohutuks kasutamiseks on oluline järgida ohutusnõudeid ning kõiki kohalikke asjakohaseid seadusi.

ÕHUSOOJENDI KÄIVITAMINE

1. Järgida õhu juurdevoolu ja ohutust puudutavaid nõudeid.
2. Täita kütusepaak petrooleumi või kütteõliga nr 1.
3. Keerata kütusepaagi kork korralikult kinni.
4. Pista toitejuhtme pistik standardsesse maandusega 230 V / 50 Hz pistikupessa. Vajadusel kasutada pikendusjuhet. Kasutada ainult kolmesoonelist maandusega pikendusjuhet.

NÕUDMISED PIKENDUSJUHTME RISTLÕIKE KOHTA

Kuni 30,5 m pikkuse pikendusjuhtme korral kasutada 1,0 mm² (16 AWG) ristlõikega juhtmeid, 30,6 kuni 61 m pikkuse pikendusjuhtme korral kasutada 1,5 mm² (14 AWG) ristlõikega juhtmeid. Vajutada SISSE/VÄLJA lüliti sisselülitatud asendisse ON (I) ning õhusoojendi käivitub 5 sekundi jooksul. Kui õhusoojendi ei käivitu, vajutada leegikontrolliseadise taaslähtestusnuppu (vt joonised 5 ja 6).

ÕHUSOOJENDI SEISKAMINE

Vajutada SISSE/VÄLJA lüliti väljalülitatud asendisse OFF (0).

ÕHUSOOJENDI TAASLÄHTESTAMINE

1. Pärast õhusoojendi seiskamist oodata 2 minutit.
2. Toimida nii, nagu õpetatud ptk õhusoojendi käivitamine.

(vt joonised 5 ja 6, k 2)

A. Leegikontrolliseadise taaslähtestusnupp, **B.** SISSE/VÄLJA lüliti.

LADUSTAMINE, TRANSPORTIMINE JA
KOHALETOIMETAMINE

Märkus. Transpordifirmad nõuavad, et seadme transportimisel oleksid kütusepaagid tühjad.

1. Tühjendada kütusepaak. Märkus. Mõnedel mudelitel on kütusepaagi põhjas väljalaskekork. Sellisel juhul võtta väljalaskekork ära ja lasta kogu kütusel välja voolata. Kui õhusoojendil väljalaskekork puudub, valada kütus välja läbi kütusepaagi täiteava. Veenduda, et paak on täiesti tühi.
2. Panna väljalaskekork tagasi (kui see on olemas).
3. Kui kasutatud kütuses on näha mustust, valada kütusepaaki 1 või 2 liitrit puhast petrooleumi, loksutada ja valada uuesti välja. See hoiab edasisel kasutamisel ära filtrite ummistumise liigse mustuse tõttu.
4. Panna kütusepaagi kork või väljalaskekork tagasi. Vana kütus hävitada vastavalt kehtivatele eeskirjadele. Abi võib saada autoremonditöökodadest, kus kogutakse kasutatud õli.
5. Kui õhusoojendit ei kasutata, panna see kuiva kohta hoiule. Õhusoojendit ei tohi hoida tolmu- või korrosiooni soodustavas keskkonnas.

NB! Allesjäänud petrooleumi ei ole soovitatav hoida suvi läbi, et seda järgmisel kütteperioodil kasutada. Vana kütuse kasutamine võib õhusoojendit kahjustada.

ENNETAVA HOOLDUSE PLAAN

HOIATUS. Elektritoitevõrku lülitatud, töötava või tulise õhusoojendi juures ei tohi kunagi teha hooldustöid. Tagajärjeks võivad olla tõsised põletushaavad või elektrilöök.

Detail	Hooldusperiood	Millise pealkirja alt vaadata
Kütusepaak	Loputada iga 150-200 töötunni järel või vastavalt vajadusele.	Ladustamine, transportimine ja kohaletoimetamine
Väljuva õhu filter ja tolmufiltrid	Vahetada välja iga 500 töötunni järel või kord aastas.	Õhu väljavooluava, Õhu sissevooluava ja Tolmufiltrid, lk 4.
Siseneva õhu filter	Pesta vee ja seebiga ning kuivatada iga 500 töötunni järel või vastavalt vajadusele.	Õhu väljavooluava, Õhu sissevooluava ja
Kütusefilter	Puhastada kaks korda kütteperioodi jooksul või vastavalt vajadusele.	Tolmufiltrid, lk 4
Süüteküüнал	Puhastada ja kontrollida sädevahemikku iga 600 töötunni järel või vahetada süüteküüнал vajadusel välja.	Kütusefilter, lk 4
Ventilaatori labad	Puhastada igal kütteperioodil või vastavalt vajadusele.	Vt Süüteküüнал, lk 5
Mootor	Ei vaja hooldust/püsimmärimisega	Ventilaator.

RIKKEPÕHJUSTE LEIDMINE JA KÕRVALDAMINE

HOIATUS. Elektritoitevõrku lülitatud, töötava või tulise õhusoojendi juures ei tohi kunagi teha hooldustöid. Tagajärjeks võivad olla tõsised põletushaavad või elektrilöök.

Detail	Hooldusperiood	Millise pealkirja alt vaadata
Õhusoojendi käivitub, ent leegikontrolliseadis lülitab õhusoojendi lühikese aja pärast välja.	<ol style="list-style-type: none"> Pumba rõhk ei ole õige. Õhu sisse- või väljavooluava ja/või tolmufilter on must Kütusefilter on ummistunud Pihusti on ummistunud Valgusanduri lääts on määrdunud Leegikontrolliseadis on defektne 	<ol style="list-style-type: none"> Vt Pumba rõhu reguleerimine, lk 4. Vt Õhu väljavooluava, õhu sissevooluava ja tolmufilter Vt Kütusefilter Vt Pihustiüksus Puhastada valgusanduri lääts Vahetada leegikontrolliseadis välja
Õhusoojendi ei käivitu, ent mootor töötab lühikest aega.	<ol style="list-style-type: none"> Pumba rõhk ei ole õige Süüteküüнал on tahmunud ja/või sädevahemik ei ole õige Kütusefilter on ummistunud Pihusti on ummistunud Kütusepaaki on vett sattunud 	<ol style="list-style-type: none"> Vt Pumba rõhu reguleerimine. Vt Süüteküüнал. Vt Kütusefilter. Vt Pihustiüksus. Lasta kütusepaak tühjaks ning loputada puhta petrooleumiga. Vt Ladustamine, transportimine ja kohaletoimetamine.
HOIATUS: Kõrge pinge!		
	<ol style="list-style-type: none"> Elektroniline süütur ei ole maandatud. Elektroniline süütur on defektne. 	<ol style="list-style-type: none"> Kontrollida, et elektronilise süüturi kinnitus on korralikult kinni Vahetada elektroniline süütur välja
Õhusoojendi sisselülitamisel mootor ei käivitu, ventilaator pöörleb aeglaselt või ei pöörle üldse.	<ol style="list-style-type: none"> Leegikontrolliseadis ei ole taaslähtestatud Pumba tööratas on kinni kiildunud 	<ol style="list-style-type: none"> Taaslähtestada leegikontrolliseadise nuppu kasutades, vt joonised. Kui ventilaator käib raskelt ringi, vt Pumba tööratas.

TEISALDATAVAD ÕLIPÕLETIGA ÕHUSOOJENDID

HOIATUS. Elektriitevõrku lülitatud, töötava või tulise õhusoojendi juures ei tohi kunagi teha hooldustöid. Tagajärjeks võivad olla tõsised põletushaavad või elektrilööök.

ÜLEMISE KATTE EEMALDAMINE

1. Keerata 5/16" mutrivõtme abil lahti õhusoojendi külgedel asuvad kruvid ja lukustusseibid. Need kruvid ühendavad omavahel ülemist ja alumist kate.
2. Tõsta ülemine kate pealt ära.
3. Võtta ära ventilaatori kaitsekate.

KÜTUSEFILTER

(Mudelid võimsusega 10 kW ja 20 kW)

1. Keerata 5/16" mutrivõtme abil lahti külgakatte kruvid.
2. Võtta ära külgate.
3. Tõmmata kummist kütusevoolik kütusefiltri kaelalt maha.
4. Võtta kütusepaagist ettevaatlikult välja hülss ja kütusefilter.
5. Puhastada kütusefilter puhta kütusega ja panna kütusepaaki tagasi.
6. Kinnitada kummist kütusevoolik kütusefiltri kaelale.
7. Panna külgate tagasi.

KÜTUSEFILTER

(Mudelid võimsusega 29 kW ja 44 kW)

1. Keerata 5/16" mutrivõtme abil lahti külgakatte kruvid.
2. Võtta ära külgate.
3. Tõmmata ülemine kütusevoolik kütusefiltri kaelalt maha.
4. Võtta kütusepaagist ettevaatlikult välja hülss, alumine kütusevoolik ja kütusefilter.
5. Puhastada kütusefilter puhta kütusega ja panna kütusepaaki tagasi.
6. Kinnitada kütusevoolik kütusefiltri kaelale.
7. Panna külgate tagasi.

(vt joonised 7 ja 8, k 2)

A. Ülemine kate, B. Ventilaatori kaitsekate

(vt joonised 9, k 2)

A. Kütusefilter, B. Külgakatel, C. Kütusevoolik

(vt joonised 10, k 2)

A. Kütusefilter, B. Kütusevoolik, C. Külgate.

SÜÜTEKÜÜNAL

(10 kW võimsusega mudel)

1. Võtta ära ülemine kate (vt lk 7-8)
2. Võtta ventilaator välja (vt lk 29-30)
3. Eemaldada pihustiüksuse küljest kütuse- ja õhuvoolikut.
4. Eemaldada süüteküünalt küünaljuhe.
5. 5/16" mutrivõtme abil eemaldada kaks kruvi ning eemaldada põleti klamber.
6. Asetada süüteküünla kuuskantdetail kruustangide vahele ja hoida kergelt kinni.
7. Eemaldada süüteküünla kinnitusmutter 11/16" lamevõtmega.
8. Eemaldada põleti klamber süüteküünla küljest.
9. Puhastada süüteküünal ning seada sädevahemik väärtusele 1,4 mm (0,055").
10. Asetada põleti klamber süüteküünlale tagasi. Pöörata põleti klambrit süüteküünla elektrodide seadmiseks.
11. Keerata süüteküünal kinnitusmutri abil kinni.
12. Vabastada süüteküünla kuuskantdetail kruustangide vahelt.
13. Asetada põleti klamber põlemiskambrisse tagasi.
14. Kinnitada süütejuhe süüteküünlale.
15. Kinnitada kütuse- ja õhuvoolikut pihustiüksuse külge.

16. Panna ventilaator oma kohale tagasi.
17. Panna tagasi ventilaatori kaitsekate ja ülemine kate.

(vt joonised 11, k 2)

A. Põlemiskamber, B. Degiklio savaržos montavimo veržle, C. Põleti klamber, D. Süüteküünal, E. Süüteküünla juhe, F. Pihustiüksus, G. Kütusevoolik, H. Õhuvoolik

(vt joonised 12, k 3)

A. Lenkite cia tarpeliui reguliuoti

(vt joonised 13, k 3)

A. Põleti klamber

SÜÜTEKÜÜNAL

(mudelid võimsusega 20 kW, 29 kW, 44 kW)

1. Võtta ära ülemine kate (vt lk 7-8)
2. Võtta ventilaator välja (vt lk 29-30)
3. Eemaldada süüteküünalt küünaljuhe.
4. Eemaldada süüteküünal põletipeast 13/16" lamevõtmega abil.
5. Puhastada süüteküünal ning seada sädevahemik parajaks järgmiselt: 20 kW ja 29 kW võimsusega mudelid: sädevahemik 1,9 mm (0,075") 44 kW võimsusega mudelid: sädevahemik 2,8 mm (0,110")
6. Paigaldada süüteküünal põletipeasse.
7. Kinnitada süütejuhe süüteküünlale.
8. Panna ventilaator oma kohale tagasi.
9. Panna tagasi ventilaatori kaitsekate ja ülemine kate.

(vt joonised 14, k 3)

A. Põletipea, B. Süüteküünla juhe, C. Süüteküünal

(vt joonised 15, k 3)

A. Sädevahemiku reguleerimiseks painutada siit, B. Sädevahemik

ÕHU VÄLJAVOOLUAVA, ÕHU SISSEVOOLUAVA JA TOLMUFILTRID

1. Võtta ära ülemine kate (vt lk 7-8).
2. Keerata 5/16" mutrivõtme abil lahti filtri otsakatte kruvid.
3. Võtta ära filtri otsakate.
4. Vahetada välja väljuva õhu filter ja tolmufiltrid.
5. Vahetada välja või pesta puhtaks siseneva õhu filter (vt Ennetava hoolduse plaan, lk 5).
6. Panna tagasi filtri otsakate.
7. Panna tagasi ventilaatori kaitsekate ja ülemine kate.

NB! Filtreid ei tohi õliseks teha.

PUMBA RÕHU REGULEERIMINE

1. Võtta filtri otsakattelt ära manomeetri kork.
2. Paigaldada lisaseadmeks olev manomeeter (detail nr 4109.427).
3. Käivitada õhusoojendi (vt Õhusoojendi kasutamine, lk 4). Lasta mootoril jõuda täiskiiruseni.
4. Reguleerida rõhku. Rõhu suurendamiseks keerata kaitseklappi paremale. Rõhu vähendamiseks keerata kaitseklappi vasakule. Vt allpool toodud andmetest iga mudeli jaoks õige rõhk.
5. Võtta ära manomeeter. Panna filtri otsakattes asuv manomeetri kork tagasi.

(vt joonised 16 ja 17, k 3)

A. Siseneva õhu filter, B. Filtri otsakate, C. Ventilaatori kaitsekate D. Väljuva õhu filter, E. Tolmufilter.

Mudel	Pumba rõhk (bar/psi)
10 kW	0,200 / 2,9
20 kW	0,359 / 5,2
29 kW	0,269 / 3,9
44 kW	0,331 / 4,8

(vt joonised 18, k 3)

A. Manomeetri kork, **B.** Kaitseklapp, **C.** Tappo di plastica

(vt joonised 19, k 3)

A. Manomeeter

PIHUSTIÜKSUS

- Võtta ära ülemine kate (vt lk 7-8)
- Võtta ventilaator välja (vt lk 27)
- Võtta kütuse- ja õhuvoolikud pihustiüksuse küljest lahti.
- Keerata pihustiüksust veerand pööret vasakule ning tõmmata eemaldamiseks mootori poole.
- Panna plastmassist kuuskantdetail kruustangide vahele ja hoida kergelt kinni.
- Võtta ettevaatlikult 5/8" padrunvõtme abil pihustiadapteri klambri küljest lahti.
- Puhuda suruõhku pihusti otsast sisse. See puhub pihustilt mustuse minema.
- Kontrollida, kas pihusti tihend on töökorras.
- Panna pihustiadapteri klambrisse tagasi nii, et see puutub vastu tugipinda. Pingutada 5/8" padrunvõtme abil 1/3 pööret momendiga 4,5 - 5,1 Nm (40 - 45 in-lbs).
- Kinnitada pihustiüksus põleti klambriks.
- Kinnitada kütuse- ja õhuvoolikud pihustiüksuse külge.
- Panna ventilaator oma kohale tagasi.
- Panna ventilaatori kaitsekate ja ülemine kate oma kohale tagasi.

(vt joonised 20 ja 21, k 3)

A. Põlemiskamber, **B.** Põleti klamber, **C.** Pihustiüksus, **D.** Kütusevoolik, **E.** Õhuvoolik

(vt joonised 22, k 3)

A. Pihusti ots, **B.** Pihusti tihend, **C.** Kütusevooliku ühendusotsik **D.** Õhuvooliku ühendusotsik, **E.** Pihusti Adapter, **F.** Pihusti

PIHUSTI

(mudelid võimsusega 20 kW, 29 kW, 44 kW)

- Võtta ära ülemine kate (vt lk 7-8).
- Võtta ventilaator välja (vt lk 27).
- Eemaldada põletipea küljest kütuse- ja õhuvoolikud.
- Eemaldada süüteküünalt küünaljuhe.
- Eemaldada süüteküünal põletipeast 13/16" lamevõtme abil.
- Eemaldada 5/16" mutrivõtme abil kolm kruvi ning eemaldada põletipea põlemiskambriks.
- Asetada põletipea kruustangide vahele ja hoida kergelt kinni.
- Ettevaatlikult eemaldada 5/8" padrunvõtme abil pihusti põletipea küljest.
- Puhuda suruõhku pihusti otsast sisse. See puhub pihustilt mustuse minema.
- Kontrollida, kas pihusti tihend on töökorras.
- Asetada pihusti põletipeasse ning pingutada see kinni (9,1-12,4 Nm/80-110 in-lbs).
- Kinnitada põletipea põlemiskambrisse.
- Paigaldada süüteküünal põletipeasse.
- Kinnitada süütejuhe süüteküünlale.
- Kinnitada kütuse- ja õhuvoolikud põletipea külge.
- Panna ventilaator oma kohale tagasi.
- Panna tagasi ventilaatori kaitsekate ja ülemine kate.

(vt joonised 23, k 3)

A. Põlemiskamber, **B.** Põletipea, **C.** Süüteküünla juhe, **D.** Süü teküünal, **E.** Kütusevoolik, **F.** Õhuvoolik, **G.** Kruvi

(vt joonised 24, k 3)

A. Pihusti ots, **B.** Pihusti tihend, **C.** Kütusevooliku ühendusotsik, **D.** Õhuvooliku ühendusotsik, **E.** Põletipea, **F.** Pihusti

PUMBA TÖÖRATAS

(Tegutsemine tööratas kinnikiildumise korral)

- Võtta ära ülemine kate (vt lk 7-8).
- Keerata 5/16" mutrivõtme abil lahti filtri otsakate kruvid.
- Võtta ära filtri otsakate ja õhufiltrid.
- Keerata 5/16" mutrivõtme abil lahti pumbaplaadi kruvid.
- Võtta ära pumba plaat.
- Võtta ära tööratas, vahedetail ja labad.
- Kontrollida, ega pumbas prügi ei ole. Kui pumbas leidub prügi, puhuda see suruõhu abil välja.
- Panna tagasi vahedetail ja tööratas.
- Kontrollida tööratas pilu. Vajaduse korral reguleerida pilu 0,076/0,101 mm (0,003/0,004 tolli) (vt joonis 25). Märkus. Keerata tööratas ühe pöörde võrra ringi tagamaks, et ka kõige tihedama asendi korral oleks pilu 0,076/0,101 mm (0,003/0,004 tolli). Vajadusel reguleerida.
- Paigaldada labad, pumba plaat, õhufiltrid ja filtri otsakate.
- Panna tagasi ventilaatori kaitsekate ja ülemine kate.
- Reguleerida pumba rõhku (vt lk 12). Märkus. Kui tööratas jääb ikka veel kinni, tegutseda järgmiselt:
- Korrata eespool kirjeldatud etappe 1-6.
- Asetada tasasele pinnale peene liivapaber (600). Lihvida tööratas neli korda kergelt kaheksakujulise liigutusi tehes (vt joonis 26).
- Panna tagasi vahedetail ja tööratas.
- Teha eespool kirjeldatud etapid 10 kuni 12.

(vt joonised 25 ja 26, k 3)

A. Laba, **B.** Pumba plaat, **C.** Siseneva õhu filter, **D.** Filtri otsakate **E.** Ventilaatori kaitsekate, **F.** Väljuva õhu filter, **G.** Tööratas, **H.** Puks.

(vt joonised 27, k 3)

A. Pilu reguleerimiskruvi, **B.** Pilu 0,076/0,101 mm (0,003/0,004") Mõõdetud lehtkaliibriga, **C.** Laba

(vt joonised 28, k 3)

A. Liivapaber

VENTILAATOR

NB! Enne mootori lahti võtmist õhusoojendi küljest tuleb mootori võlliilil eemaldada ventilaator. Ventilaatorile toetuva mootori raskus võib rikkuda ventilaatori labade nurka.

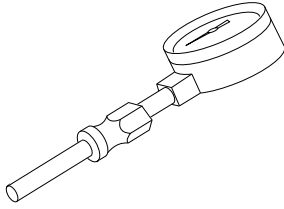
- Võtta ära ülemine kate (vt lk 8).
- Keerata M2.5 kuuskantsüvendivõtme abil lahti kinnituskruvi, mis hoiab ventilaatorit mootori võlli küljes.
- Võtta ventilaator ettevaatlikult mootori võlli küljest lahti.
- Puhastada ventilaatorit petrooleumi või lahustiga niisutatud lapi abil.
- Kuivatada ventilaator korralikult.
- Panna ventilaator mootori võllile tagasi. Ventilaatori rummu otspind peab jääma mootori võlli otsa poole (vt joonis 30).
- Keerata kinnituskruvi võlli pinna vastu. Keerata kinnituskruvi tugevalt momendiga 4,5 - 5,6 Nm (40 - 50 in-lbs) kinni.
- Panna tagasi ventilaatori kaitsekate ja ülemine kate.

(vt joonised 25 ja 26, k 3)

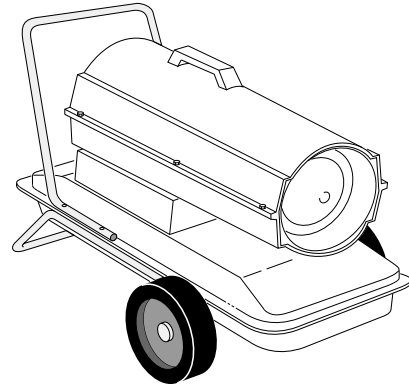
A. Ventilaator, **B.** Mootori võll, **C.** Kinnituskruvi, **D.** Otspind

LISASEADMED

Lisaseadmeid saab osta kohaliku volitatud edasimüüja käest.

**ÕHU MANOMEETER – 4109.427**

Sobiv kõikidele mudelitele. Spetsiaalne mõõtmisvahend pumba rõhu kontrollimiseks.

**ERITI HEA VASTUPIDAVUSEGA RATASTE JA KÄEPIDEMETE KOMPLEKT – 4103.925**

Mõeldud rasketes tingimustes kasutamiseks. Muudab õhusoojendi teisealdamise veelgi mugavamaks. 10 kW ja 20 kW võimsusega mudelitele.

WARRANTY INFORMATION

CERTIFICATE OF GENERAL EQUIPMENT - LIMITED ONE YEAR WARRANTY

DESA Italia warrants new Products sold by it to be free from defects in material or workmanship for a period of one year after date of delivery to the first user and subject to the following conditions:

DESA Italia's obligation and liability under this Warranty is expressly limited to repairing or replacing at DESA Italia's option, any parts which appear to DESA Italia upon inspection to have been defective in material or workmanship when shipped from the factory. Such parts shall be provided at no cost to the user, at the business establishment of any factory authorized service center or the factory during regular working hours. The Warranty shall not apply to component parts or accessories of Products not manufactured by DESA Italia and which carry the warranty of the manufacturer thereof, or to normal maintenance (such as pressure adjustments) or to normal maintenance parts (such as filters and spark plugs). Replacement or repair parts installed in the Product covered by this Warranty are warranted only for the remainder of this Warranty as if such parts were original components of said Product. DESA ITALIA MAKES NO OTHER EXPRESS WARRANTY. TO THE EXTENT PERMITTED BY LAW DESA ITALIA MAKES NO IMPLIED WARRANTY AND MAKES NO WARRANTY OF MERCHANTABILITY OR FITNESS FOR ANY PARTICULAR

PURPOSE. IN ANY EVENT IMPLIED WARRANTIES INCLUDING THOSE OF MERCHANTABILITY AND FITNESS FOR A PARTICULAR PURPOSE ARE LIMITED TO THE DURATION OF THIS EXPRESS WARRANTY.

Any transportation charges, costs of installation, duty, taxes or any other charges whatsoever must be borne by the user. DESA Italia's obligation under this limited Warranty shall not include any liability for direct, indirect, incidental, or consequential damage or delay. If requested by DESA Italia, Products or parts for which a warranty claim is made are to be returned transportation prepaid by user to the factory. Any improper use, including operation after discovery of defective or worn parts, operation beyond capacity, substitution of parts not approved by DESA Italia, or any alteration or repair by others in such manner as in DESA Italia's judgement affects the Product materially and adversely, shall void this Warranty.

NO EMPLOYEE OR REPRESENTATIVE IS AUTHORIZED TO CHANGE THIS WARRANTY IN ANY WAY OR GRANT ANY OTHER WARRANTY UNLESS SUCH CHANGE IS MADE IN WRITING AND SIGNED BY AN OFFICER OF DESA ITALIA AT ITS HOME OFFICE.

WARRANTY SERVICE

Always specify model and serial numbers when communicating with the factory.

We reserve the right to amend these specifications at any time without notice. The only Warranty applicable is our standard written Warranty. We make no other Warranty, expressed or implied.

A Service Manual is available by writing to the Technical Service Department at:

GAISA SILDĪTĀJA AR ŠĶIDRĀ KURINĀMĀ DEGLI

LIETOŠANAS INSTRUKCIJA

NB! Pirms sildītāja montāžas, iedarbināšanas vai apkopes izlasiet un izprotiet šo lietošanas instrukciju. Sildītāja nepareiza lietošana var radīt nopietnas traumas. Uzglabājiet šo instrukciju tālākai lietošanai.

INFORMĀCIJA PAR DROŠĪBU

BRĪDINĀJUMI!

NB! Pirms sildītāja montāžas, iedarbināšanas vai apkopes rūpīgi un pilnībā izlasiet šo lietošanas instrukciju. Sildītāja nepareiza lietošana var radīt nopietnas traumas un būt par iemeslu nāvei apdegumu, ugunsgrēka, sprādziena, elektriskā sitiena vai saindēšanās ar oglekļa oksīdu (tvana gāzi) rezultātā.

 BRIESMAS: Saindēšanas ar oglekļa oksīdu var būt par iemeslu nāvei!

Saindēšanās ar oglekļa oksīdu: Saindēšanās ar oglekļa oksīdu pirmie simptomi atgādina gripu ar galvassāpēm, reiboni un/vai sliktu dūšu. Ja jums parādās šīs pazīmes, sildītājs var nedarboties pareizi. Nekavējoši izejiet svaigā gaisā! Ļaujiet sildītāju pārbaudīt. Daži cilvēki ir jutīgāki pret oglekļa oksīdu kā citi. Pie šiem cilvēkiem pieder sievietes stāvoklī, sirds un plaušu slimnieki, personas, kas cieš no mazasinības, iereibuši cilvēki un personas, kas atrodas augstu virs jūras līmeņa.

Pārliecinieties, ka jūs esat izlasījuši un izpratuši visus brīdinājumus. Uzglabājiet šo lietošanas instrukciju vēlākai lietošanai. Tā ir jūsu orientieris sildītāja drošai un pareizai lietošanai.

- Lai izvairītos no ugunsgrēka vai sprādziena briesmām, lietojiet tikai petroleju vai degeļļu nr. 1. Nekad neizmantojiet benzīnu, naftu, krāsu atšķaidītājus, alkoholu vai citus viegli uzliesmojošus kurināmos.
- Uzpilde
 - a) Uzpildi veicošajam personālam ir jābūt kvalificētam un pilnībā jāzina izgatavotāja instrukcijas un spēkā esošie noteikumi, kas attiecas uz sildītāju drošu uzpildi.
 - b) Drīkst lietot tikai sildītāja datu plāksnē norādīto kurināmā tipu.
 - c) Pirms uzpildes visām liesmām, tai skaitā arī aizdedzes liesmai, ir jābūt nodzēstām un sildītājam ir jābūt atdzesētam.
 - d) Pie uzpildes ir jāpārbauda visas kurināmā caurules un savienojumi attiecībā uz noplūdi. Pirms sildītājs atkal tiek ņemts lietošanā visas noplūdes vietas ir jālikvidē.
 - e) Nekad nedrīkst turēt ēkā gaisa sildītāja tuvumā vairāk kurināmā kā vienai dienai vajadzīgs. Kurināmā masveida uzglabāšanai ir jānotiek ārpus šīs ēkas.
 - f) Kurināmā noliktavai ir jāatrodas minimāli 8 m attālumā no gaisa sildītājiem, degļiem, metināšanas iekārtām un citiem līdzīgiem aizdedzinošiem avotiem (izņemot: ar siltummezglu kopā būvēta Kurināmā tvertne).
 - g) Kurināmā glabāšanai pēc iespējas vienmēr ir jānotiek teritorijā, kur kurināmā izsūkšanās cauri grīdai nepieļauj tā uzpildēšanu uz zemāk esošu liesmu un nedod iespēju tam aizdegties.
 - h) Kurināmā uzglabāšanai ir jānotiek atbilstoši spēkā esošajiem noteikumiem.
- Nekad nelietojiet sildītāju, ja gaisā ir benzīna, krāsas

atšķaidītāja vai citi viegli uzliesmojoši tvaiki.

- Lietojot sildītāju, ievērojiet visas vietējās instrukcijas un noteikumus.
- Brezenta, audumu vai citu līdzīgu pārsegmateriālu tuvumā lietojamiem sildītājiem ir jāatrodas drošā attālumā no šiem materiāliem. Minimālais ieteicamais attālums ir 5m. Piedevām ir ieteicams, lai šie pārsegi būtu no uguni aizturošiem materiāliem. Šiem pārseguma materiāliem ir jābūt droši nostiprinātiem, lai izvairītos no to aizdegšanās un sildītāja darba traucēšanas vēja iespaidā.
- Lietojiet iekārtu tikai labi vēdināmās vietās. Pirms sildītāja lietošanas nodrošiniet, lai būtu paredzēts vismaz 2800 cm² atvērums svaigam gaisam uz katriem nominālās jaudas 30 kW.
- Lietojiet tikai vietās, kur nav uzliesmojošu tvaiku un augstas putekļu koncentrācijas.
- Lietojiet tikai elektrisko spriegumu un frekvenci, kas ir doti uz iekārtas datu plāksnes.
- Lietojiet tikai trīsdzīslu pagarinātājus ar zemējumu.
- Sildītāja minimālie attālumi no uzliesmojošiem materiāliem: Izplūde: 250 cm
Sāni, augšdaļa un aizmugures daļa: 125 cm
- Lai izvairītos no ugunsgrēka, novietojiet karstu vai darbojošos sildītāju uz drošas un līdzenas virsmas.
- Pie sildītāja pārvietošanas vai uzglabāšanas turiet sildītāju vienā līmenī, lai izvairītos no degvielas izliešanas zemē.
- Nepieļaujiet bērnu un dzīvnieku klātbūtni sildītāja tuvumā.
- Ja sildītājs netiek lietots, izņemiet spraudni no kontaktligzdas.
- Lietojot termostatu, sildītājs var jebkurā brīdī sākt darboties.
- Nekad nelietojiet sildītāju dzīvojamās vai guļamās telpās.
- Nekad nenobloķējiet sildītāja gaisa ieplūdi (aizmugurē) vai gaisa izplūdi (priekšā).
- Nekad nepārvietojiet, neuzpildiet, neapkopjiet vai nerīkojieties ar sildītāju, kas ir karsts, darbojas vai ir pievienots elektriskajam tīklam.
- Nekad nepievienojiet sildītāja priekšējai vai aizmugures daļai cauruļvadus.

RAŽOJUMA IDENTIFICĒŠANA

(skat. 1 un 2 zīm., Darbība, 2. lpp.)

A. Karstā gaisa izplūde, **B.** Rokturis, **C.** Ventilatora aizsargs, **D.** Gaisa filtrs, **E.** Kurināmā tvertnes aizbāznis, **F.** Barošanas vads, **G.** IESLĒGTS/IZSLĒGTS slēdzis ar signāllampiņu, **H.** Sānu apsegs, **I.** Kurināmā tvertne, **L.** Apakšējais apvalks, **M.** Augšējais apvalks, **N.** Liesmas nodzišanas kontroles sistēmas atiestatīšanas poga.

IZPAKOŠANA

1. Noņemiet visus sildītāja transportam novietotos iepakojuma elementus.
2. Izņemiet no kastes visas detaļas.
3. Pārbaudiet visas detaļas attiecībā uz transportēšanas bojājumiem. Ja sildītājs ir guvis bojājumu, nekavējoši informējiet par to izplatītāju, no kura pirkāt sildītāju.

BRĪDINĀJUMI PAR KURINĀMO

Lai izvairītos no ugunsgrēka vai sprādziena briesmām, lietojiet tikai petroleju vai degeļļu nr. 1. Nekad neizmantojiet benzīnu, naftu, krāsu atšķaidītājus, alkoholu vai citus viegli uzliesmojošus kurināmos.

Nekad nelietojiet smagos kurināmos, tādus kā degeļļa nr. 2 vai dīzeļdegviela nr. 2. Smago kurināmo lietošana var izsaukt:

- kurināmā filtra un sprauslas aizsērēšanu.
- aizdedzes sveces apkūpšanu.
- sevišķi aukstos laika apstākļos pievienojiet kurināmam netoksisku pretaizsalšanas līdzekli.

NB! Lietojiet tvertni TIKAI PETROLEJAI. Pārliecinieties, vai kurināmā uzglabāšanas tvertne ir tīra. Svešķermeņi, tādi kā rūsa, netīrumi vai ūdens, var veicināt sildītāja izslēgšanu no liesmas kontroles ierīces puses. Svešķermeņi var arī būt par iemeslu vajadzībai biežāk veikt apsildes sistēmas tīrīšanu.

**MONTĀŽA TIKAI MODEĻI AR JAUDU
29 kW un 44 kW**

Šie modeļi ir aprīkoti ar riteniem un rokturi. Riteņi, rokturi un piestiprināšanai nepieciešamās detaļas atrodas transportam izmantojamajā papes kastē.

Nepieciešamie darbarīki:

- vidēja izmēra krustskrūvgriezis
- 3/8 collu uzliekamā vai pārstādāmā uzgriežņu atslēga.
- āmurs.

Izbīdiēt riteņu asi cauri riteņu atbalsta rāmim. Novietojiet riteņus uz ass.

(*skat. 3 zīm., Darbība, 2. lpp.*)

A. Karstā gaisa izplūde, **B.** Skrūve, **C.** Priekšējais rokturis, **D.** Aizmugurējais rokturis, **E.** Gaisa ieplūde, **F.** Rumbas izvirdījums, **G.** Ass, **H.** Ritenis, **I.** Uzgrieznis, **L.** Kupoluzgrieznis, **M.** Riteņu atbalsta rāmis, **N.** Kurināmā tvertnes atloks.

VENTILĀCIJA

BRĪDINĀJUMS. Sekojiet prasībām par minimuma svaiga āra gaisa pieplūdi. Ja netiek nodrošināta kārtīga vēdināšana ar svaigu gaisu, var notikt saindēšanās ar oglekļa oksīdu. Pirms sildītāja lietošanas ir jānodrošina kārtīga vēdināšana ar svaigu āra gaisu.

Katriem 30 kW nominālās jaudas ir jāparedz 2800 cm² svaigā gaisa atvere. Ja tiek lietoti vairāki sildītāji, tad ir jāparedz vairāk svaiga gaisa.

Piemēram: 44 kW sildītāja gadījumā ir jāpielieto viena no iespējām:

- divām automašīnām paredzētas garāžas durvīm ir jābūt paceltām 15 cm
- vienai automašīnai paredzētas garāžas durvīm ir jābūt paceltām 23 cm
- diviem 76 cm logiem ir jābūt paceltiem 31 cm.

DARBĪBAS PRINCIPS

Kurināmā sistēma: gaisa sūknis spiež gaisu cauri gaisa cauruļvadā. Pēc tam gaiss tiek spiests cauri degļa galvenajai sprauslai. Šis gaiss veicina kurināmā uzsūkšanos no tvertnes. Sadegšanas kamerā tiek izsmidzināta smalka kurināmā migla.

Gaisa sistēma: motors liek griezties ventilatoram. Ventilators iespiež gaisu degšanas kamerā un ap to. Šis gaiss tiek sakarsēts un tas rada tīra karsta gaisa plūsmu.

Aizdedzes sistēma: Elektroniskais iedeglis piesūta strāvu aizdedzes svecei. Aizdedzes svece aizdedzina degvielas un gaisa maisījumu.

Liesmas nodzišanas kontroles sistēma: šī sistēma pie

liesmas nodzišanas izslēdz sildītāju.

(*skat. 4 zīm., Darbība, 2. lpp.*)

A. Tirs sakarsēts gaiss ārā, **B.** Degšanas kamera, **C.** Aizdedzes svece **D.** Degļa galva, **E.** Ventilators, **F.** Motors, **G.** Gaisa sūknis, **H.** Gaisa ieplūdes filtrs, **I.** Aukstais gaiss iekšā, **L.** Gaisa izplūdes filtrs, **M.** Elektroniskais iedeglis, **N.** Gaisa caurule uz degli, **O.** Kurināmā filtrs, **P.** Sprausla, **Q.** Kurināmā tvertne, **R.** Kurināmās sistēmas gaiss, **S.** Dedzināšanas un sildīšanas gaiss, **T.** Kurināmais.

DARBĪBA

BRĪDINĀJUMS: Izlasiet un izprotiet nodaļā par drošību izteiktos brīdinājumus. Tas ir nepieciešami sildītāja drošai lietošanai. Lietojot sildītāju, ir jāseko visiem vietējiem noteikumiem.

SILDĪTĀJA IEDARBINĀŠANA

1. Ievērojiet visu informāciju par ventilāciju un drošību.
2. Uzpildiet kurināmā tvertni ar petroleju vai degeļļu nr 1.
3. Novietojiet savā vietā Kurināmā tvertnes aizbāzni.
4. Pievienojiet sildītāja barošanas vadu standarta 230 V/50 Hz kontaktligzdai ar zemējumu (ieņemētai). Vajadzības gadījumā lietojiet pagarinātāju. Lietojiet tikai trīsdzīslu pagarinātāju ar zemējumu.

PRASĪBAS PAGARINĀTĀJA ŠĶĒRSGRIEZUMAM

Līdz 30,5 m gara pagarinātāja gadījumā lietojiet vadus ar šķērsgriezumu 1,0 mm² (16 AWG), 30,6 līdz 61 m garu pagarinātāju gadījumā lietojiet vadus ar šķērsgriezumu 1,5 mm² (14 AWG).

Nospiediet slēdzi IESLĒGTS/IZSLĒGTS pozīcijā ON (I) un sildītājs iedarbosies 5 sekunžu laikā. Ja sildītājs neiedarbojas, nospiediet liesmas nodzišanas kontroles sistēmas atiestatīšanas pogu (skat. 5. un 6. zīm.).

SILDĪTĀJA APTURĒŠANA

Nospiediet slēdzi IESLĒGTS/IZSLĒGTS izslēgtā pozīcijā OFF (O).

SILDĪTĀJA ATIESTATE

1. Nogaidiet 2 minūtes pēc sildītāja izslēgšanas.
2. Toimida nīi, nagu ņpetatud ptk ņhusoojendi kņivitamine.

(*skat. 5 un 6 zīm., Darbība, 2. lpp.*)

A. Liesmas nodzišanas kontroles sistēmas atiestatīšanas poga, **B.** IESLĒGTS/IZSLĒGTS slēdzis ar signāllampīnu.

**UZGLABĀŠANA, TRANSPORTS VAI
PIEGĀDE**

Piezīme: piegādes laikā transporta firmas pieprasa, lai Kurināmā tvertnes būtu tukšas.

1. Izlaidiet kurināmo no tvertnes.

Piezīme: dažiem modeļiem Kurināmā tvertnes dibenā ir izlaišanas aizbāznis. Tādā gadījumā izņemiet aizbāzni un ļaujiet kurināmajam iztecēt. Ja sildītājam nav kurināmā izlaišanas aizbāžņa, izlejiet kurināmo pa Kurināmā tvertnes uzpildes atvērumu. Pārliecinieties, ka viss kurināmais ir izliets.

2. Novietojiet izlaišanas aizbāzni atpakaļ, ja tāds ir.
3. Ja no tvertnes izlietajā kurināmajā ir redzami gruži, pieļiet tvertnē 1 vai 2 kvartas (1 kvarta = 1,136l) tīras petrolejas, saskalojiet to un no jauna izlejiet. Tas palīdzēs turpmākajā lietošanā izvairīties no filtru piegružošanas.
4. Novietojiet atpakaļ tvertnes aizbāzni vai kurināmā izlaišanas aizbāzni. Veco un netīro kurināmo iznīciniet atbilstoši spēkā esošajiem priekšrakstiem. Griezieties automašīnu apkopes punktā, kas savāc izmantoto eļļu.
5. Uzglabāšanas laikā turiet sildītāju sausā vietā.

Nodrošiniet, lai uzglabāšanas vieta būtu brīva no putekļiem un korodējošiem tvaikiem.

SVARĪGI: nesaglabāriet petroleju vasaras mēnešos ar mērķi to lietot nākošajā apsildes periodā. Veca kurināmā lietošana var bojāt sildītāju.

PREVENTĪVAS APKOPES GRAFIKS

BRĪDINĀJUMS: nekad neveiciet sildītāja apkopi, ja tas ir pieslēgts strāvas tīklam, strādā vai ir karsts. Rezultātā varat gūt nopietnus apdegumus un saņemt strāvas sitieni.

Detaja	Apkopes periods	Veids
Kurināmā tvertne	Skalot pēc katrām 150-200 darba stundām vai atbilstoši vajadzībai.	Skat.: nodaļās Uzglabāšana, transports vai piegāde
Gaisa izplūdes un putekļu filtri	Nomainīt pēc katrām 500 darba stundām vai reizi gadā.	Skat.: Gaisa izplūdes, gaisa ieplūdes un putekļu filtri, 8. lpp.
Gaisa ieplūdes filtrs	Mazgāt ar ūdeni un ziepēm, un žāvēt pēc katrām 500 darba stundām vai atbilstoši vajadzībai.	Skat.: Gaisa izplūdes, gaisa ieplūdes un putekļu filtri, 8. lpp.
Kurināmā filtrs	Tīrīt divas reizes kurināšanas perioda laikā vai atbilstoši vajadzībai.	Skat.: Kurināmā filtrs, 6. lpp.
Aizdedzes svece	Tīriet un pārbaudiet dzirksteļstarpu pēc katrām 600 darbības stundām, vajadzības gadījumā nomainiet.	Skat. Aizdedzes svece, 9. lpp.
Ventilatora lāpstīņas	Tīrīt katrā kurināšanas periodā vai atbilstoši vajadzībai.	Skat.: Ventilators, 9. lpp.
Motors	Apkope nav vajadzīga/ieziests	

BOJĀJUMA IZLABOŠANA

BRĪDINĀJUMS: Nekad neveiciet sildītāja apkopi, ja tas ir pieslēgts strāvas tīklam, strādā vai ir karsts. Rezultātā varat gūt nopietnus apdegumus un saņemt strāvas sitieni.

Ievērotais traucējums	Iespējamais iemesls	Novēršana
Sildītājs iedarbojas, taču liesmas nodzišanas kontroles sistēma pēc īsa laika izslēdz sildītāju.	<ol style="list-style-type: none"> Nepareizs sūkņa spiediens Gaisa izplūdes, gaisa ieplūdes un putekļu filtri ir netīri. Netīrs kurināmā filtrs. Sprauslā ir netīrumi Fotoelementa lēca ir netīra. Defekts liesmas nodzišanas kontroles sistēmā. 	<ol style="list-style-type: none"> Skat. Sūkņa spiediena regulēšana, 7. lpp. Skat. Gaisa izplūdes, gaisa ieplūdes un putekļu Filtri, 7. lpp. Skat. Kurināmā filtrs, 6. lpp. Skat. Sprausla, 8. lpp. Notīriet fotoelementu. Nomainiet liesmas nodzišanas kontroles sistēmu
Sildītājs neieslēdzas, taču motors neilgu laiku strādā	<ol style="list-style-type: none"> Nepareizs sūkņa spiediens Kvēpu nosēdumi uz aizdedzes sveces un/vai dzirksteļstarpa nav pareiza Netīrs kurināmā filtrs. Sprauslā ir netīrumi Kurināmā tvertnē ir ūdens 	<ol style="list-style-type: none"> Skat. Sūkņa spiediena regulēšana, 7. lpp. Skat. Aizdedzes svece, 6. lpp. Skat. Kurināmā filtrs, 6. lpp. Skat. Sprausla, 8. lpp. Izlaidiet kurināmā tvertni tukšu un izskalojiet ar tīru petroleju. Skat. Uzglabāšana, transports vai piegāde, 5. lpp. Pārbaudiet, vai elektroniskā iedegļa stiprinājums ir pievilkt Nomainiet elektronisko iedegli
Pie sildītāja ieslēgšanas motors nepiestartē, ventilators griežas lēni vai vispār negriežas.	<ol style="list-style-type: none"> Liesmas nodzišanas kontroles sistēma nav atiestatīta Sūkņa rotora iestrēgšana 	<ol style="list-style-type: none"> Atiestatiet liesmas nodzišanas kontroles sistēmu ar pogu. Ja ventilatora griešanās ir apgrūtināta, skat. Sūkņa rotors, 9. lpp.

BRĪDINĀJUMS: Augsts spriegums!

PORTATĪVI GAISA SILDĪTĀJI AR ŠĶIDRĀ KURINĀMĀ DEGLI

BRĪDINĀJUMS: nekad neveiciet sildītāja apkopi, ja tas ir pieslēgts strāvas tīklam, strādā vai ir karsts. Rezultātā varat gūt nopietnus apdegumus un saņemt strāvas sitieni.

AUGŠĒJĀ APVALKA NOŅEMŠANA

1. Izņemiet sildītāja visās pusēs esošās skrūves un noņemiet atspereplāksnes, izmantojot tam 5/16 collu uzgriežņu atslēgu. Šīs skrūves savieno savā starpā augšējo un apakšējo apvalku.
2. Noceliet nost augšējo apvalku.
3. Noņemiet ventilatora aizsargu.

KURINĀMĀ FILTRS

(Modeļi ar jaudu 10 kW un 20 kW)

1. Atbrīvojiet ar 5/16 collu uzgriežņu atslēgas palīdzību sānu apsegu skrūves.
2. Noņemiet sānu apsegu.
3. Novelciet kurināmā gumijas šļūteni nost no kurināmā filtra kakla.
4. Uzmanīgi izvelciet no Kurināmā tvertnes buksi un kurināmā filtru.
5. Nomazgājiet kurināmā filtru ar tīru kurināmo un novietojiet atpakaļ kurināmā tvertnē.
6. Nostipriniet kurināmā gumijas šļūteni uz kurināmā filtra kakla.
7. Novietojiet sānu apsegu atpakaļ.

KURINĀMĀ FILTRS

(Modeļiem ar jaudu 29 kW un 44 kW)

1. Atbrīvojiet ar 5/16 collu uzgriežņu atslēgas palīdzību sānu apsegu skrūves.
2. Noņemiet sānu apsegu.
3. Novelciet augšējo kurināmā šļūteni nost no kurināmā filtra kakla.
4. Uzmanīgi izvelciet no Kurināmā tvertnes buksi, apakšējo kurināmā šļūteni un kurināmā filtru.
5. Nomazgājiet kurināmā filtru ar tīru kurināmo un novietojiet atpakaļ kurināmā tvertnē.
6. Nostipriniet kurināmā augšējo gumijas šļūteni uz kurināmā filtra kakla.
7. Novietojiet sānu pārsegu atpakaļ savā vietā.

(*skat. 7 un 8 zīm., Darbība, 2. lpp.*)

A. Augšējais apvalks, **B.** Ventilatora aizsargs

(*skat. 9 zīm., Darbība, 2. lpp.*)

A. Kurināmā filtrs, **B.** Sānu apsegs, **C.** Kurināmā šļūtene

(*skat. 10 zīm., Darbība, 2. lpp.*)

A. Kurināmā filtrs, bukse, kurināmā apakšējā šļūtene, **B.** Kurināmā augšējā šļūtene, **C.** Sānu psegs

AIZDEDZES SVECE -Modelis ar jaudu 10 kW-

1. Noņemiet augšējo apvalku (skat. 6. lpp.).
2. Noņemiet ventilatoru (skat. 9. lpp.).
3. Atvienojiet kurināmā un gaisa šļūtenes no sprauslas mezgla.
4. Atvienojiet aizdedzes sveces vadu no aizdedzes sveces.
5. Atbrīvojiet divas skrūves, lietojot 5/16" uzgriežņu atslēgu, un noņemiet degļa skavu.
6. Novietojiet aizdedzes sveces sešstūra daļu skrūvspīlēs un pievelciet
7. Noņemiet aizdedzes sveces nostiprinātājuzgriezni, lietojot 11/16" divgalu uzgriežņu atslēgu.
8. Noņemiet no aizdedzes sveces degļa skavu.
9. Notīriet aizdedzes sveces elektrodus un noregulējiet dzirkstelstarpu uz 1,4 mm (.055 collas).
10. Novietojiet degļa skavu atpakaļ pie aizdedzes sveces. Pagrieziet degļa skavu aizdedzes sveces elektrodu novietošanai (skat. 13. zīm.).
11. Pievelciet aizdedzes sveci ar nostiprinātājuzgriezni.
12. Atbrīvojiet aizdedzes sveces sešstūra daļu no skrūvspīlēm.

13. Novietojiet degļa skavu atpakaļ degšanas kamerā.
14. Pievienojiet aizdedzes sveces vadu pie aizdedzes sveces.
15. Piestipriniet kurināmā un gaisa šļūtenes pie sprauslas mezgla.
16. Novietojiet ventilatoru atpakaļ vietā (skat. 9. lpp.).
17. Novietojiet atpakaļ ventilatora aizsargu un augšējo apvalku.

(*skat. 11 zīm., Darbība, 2. lpp.*)

A. Degšanas kamera, **B.** Degļa skavas nostiprinātājuzgrieznis, **C.** Degļa skava, **D.** Aizdedzes svece, **E.** Aizdedzes sveces vads, **F.** Aizdedzes sveces vads, **G.** Kurināmā šļūtene, **H.** Gaisa šļūtene

(*skat. 12 zīm., Darbība, 3. lpp.*)

A. Lai regulētu dzirkstelstarpu, spiediet šeit.

(*skat. 13 zīm., Darbība, 3. lpp.*)

A. Degļa skava

AIZDEDZES SVECE -Modeļi ar jaudu 20, 29, 44 kW-

1. Noņemiet augšējo apvalku (skat. 6. lpp.).
2. Noņemiet ventilatoru (skat. 9. lpp.).
3. Atvienojiet aizdedzes sveces vadu no aizdedzes sveces.
4. Noņemiet aizdedzes sveci no degļa galvas, lietojot 13/16" divgalu uzgriežņu atslēgu.
5. Notīriet aizdedzes sveces elektrodus un noregulējiet dzirkstelstarpu sekojoši: Modeļi ar jaudu 20 kW / 29 kW: 1,9 mm dzirkstelstarpa; Modelis ar jaudu 44 kW: 2,8 mm dzirkstelstarpa
6. Novietojiet aizdedzes sveci degļa galvā
7. Pievienojiet aizdedzes sveces vadu pie aizdedzes sveces.
8. Novietojiet ventilatoru atpakaļ vietā (skat. 9. lpp.).
9. Novietojiet atpakaļ ventilatora aizsargu un augšējo apvalku.

(*skat. 14 zīm., Darbība, 3. lpp.*)

A. Degļa galva, **B.** Aizdedzes sveces vads, **C.** Aizdedzes svece

(*skat. 15 zīm., Darbība, 3. lpp.*)

A. Lai regulētu dzirkstelstarpu, spiediet eit, **B.** Dzirkstelstarpa

GAISA IZPLŪDES, GAISA IEPLŪDES UN PUTEKĻU FILTRI

1. Noņemiet augšējo apvalku (skat. 6. lpp.).
 2. Ar 5/16 uzgriežņu atslēgas palīdzību atbrīvojiet filtra gala pārsegu skrūves.
 3. Noņemiet filtra gala pārsegu.
 4. Nomainiet gaisa izplūdes un putekļu filtrus.
 5. Nomainiet gaisa ieplūdes filtru vai nomazgājiet to (skat. Preventīvās apkopes grafiks, 5. lpp.).
 6. Novietojiet atpakaļ filtra gala pārsegu.
 7. Novietojiet atpakaļ ventilatora aizsargu un augšējo apvalku.
- NB! Filtrus neelļojiet.**

SŪKŅA SPIEDIENA REGULĒŠANA

1. Izņemiet no filtra gala pārsega manometra aizbāzni.
2. Novietojiet kā papildaprīkojumu esošo manometru (detaļas nr 4109.427).
3. Iedarbiniet sildītāju (skat. Darbība, 4. lpp.). Ļaujiet motoram sasniegt pilnu ātrumu.
4. Noregulējiet spiedienu. Spiediena paaugstināšanai pagrieziet drošības ventili pa labi. Spiediena samazināšanai grieziet drošības ventili pa kreisi. Skat. zemāk dotajos datos katram modelim pareizo spiedienu.
5. Noņemiet manometru. Novietojiet manometra aizbāzni atpakaļ filtra gala pārsegā.

(*skat. 16 un 17 zīm., Darbība, 3. lpp.*)

A. Gaisa, ieplūdes filtrs, **B.** Filtra gala pārsegs, **C.** Ventilatora aizsargs, **D.** Gaisa izplūdes filtrs, **E.** Putekļu filtrs.

Modelis	Sūkņa spiediens (bāri/mārciņas uz kvadrātcollu)
10 kW	0,207 / 3
20 kW	0,365 / 5,3
29 kW	0,275 / 4
44 kW	0,337 / 4,9

(*skat. 18 zīm., Darbība, 3. lpp.*)

A. Tappo per manometro, **B.** Valvola di sicurezza, **C.** Tappo di plastica

(*skat. 19 zīm., Darbība, 3. lpp.*)

A. Manometrs

SAPRAUSLAS MEZGLS

1. Noņemiet augšējo apvalku (skat. 6. lpp.).
2. Noņemiet ventilatoru (skat. 9. lpp.).
3. Atvienojiet kurināmā un gaisa šļūtenes no sprauslas mezgla.
4. Pagrieziet sprauslas mezglu par ceturtdalpagriezianu pa kreisi un noņemšanai pavelciet uz motora pusi.
5. Novietojiet plastmasas sešstūra detaļu skrūvspīlēs un viegli pievelciet.
6. Uzmanīgi ar 5/8 collu galatslēgu noņemiet sprauslu no adaptera skavas.
7. Izpūstiet saspiestu gaisu cauri sprauslai. Tas palīdz izpūst neīrumus no sprauslas.
8. Pārbaudiet, vai sprauslas blīve ir kārtībā.
9. Novietojiet sprauslu atpakaļ adaptera skavā tā, lai sprausla atbalstītos. Ar 5/8 collu galatslēgu pievelciet par 1/3 apgrieziana ar momentu 4,5 līdz 5,1 N·m (40 līdz 45 colla-mārciņa).
10. Nostipriniet sprauslas mezglu pie degļa skavas.
11. Piestipriniet kurināmā un gaisa šļūtenes pie sprauslas mezgla.
12. Novietojiet ventilatoru atpakaļ vietā (skat. 9. lpp.).
13. Novietojiet atpakaļ ventilatora aizsargu un augšējo apvalku.

(*skat. 20 un 21 zīm., Darbība, 3. lpp.*)

A. Degšanas kamera, **B.** Degļa skava, **C.** Sprauslas mezgls, **D.** Kurināmā šļūtene, **E.** Gaisa šļūtene

(*skat. 22 zīm., Darbība, 3. lpp.*)

A. Sprauslas gals, **B.** Sprausla tihend, **C.** Kurināmā caurules fitings, **D.** Gaisa caurules fitings, **E.** Sprauslas adapters, **F.** Sprausla

SAPRAUSLA -(Modeli ar jaudu 20 kW, 29 kW, 44 kW)-

1. Noņemiet augšējo apvalku (skat. 6. lpp.).
2. Noņemiet ventilatoru (skat. 9. lpp.).
3. Atvienojiet kurināmā un gaisa šļūtenes no degļa galvas.
4. Atvienojiet aizdedzes sveces vadu no aizdedzes sveces.
5. Noņemiet aizdedzes sveci no degļa galvas, lietojot 13/16" divgalu uzgriežņu atslēgu.
6. Atbrīvojiet trīs skrūves, lietojot 5/16" uzgriežņu atslēgu, un izņemiet degļa galvu no degšanas kameras.
7. Ievietojiet degļa galvu skrūvspīlēs un viegli pievelciet.
8. Uzmanīgi ar 5/8 collu galatslēgu noņemiet sprauslu no degļa galvas (skat. 24. zīm.).
9. Izpūstiet saspiestu gaisu cauri sprauslai. Tas palīdz izpūst neīrumus no sprauslas.
10. Pārbaudiet, vai sprauslas blīve ir kārtībā.
11. Novietojiet sprauslu atpakaļ degļa galvā un stingri pievelciet (9,1-12,4 N m/80-110 jūdzes mārciņas)
12. Nostipriniet degļa galvu degšanas kamerā.
13. Novietojiet aizdedzes sveci degļa galvā
14. Pievienojiet aizdedzes sveces vadu pie aizdedzes sveces.
15. Piestipriniet kurināmā un gaisa šļūtenes pie degļa galvas.
16. Novietojiet ventilatoru atpakaļ vietā (skat. 9. lpp.).
17. Novietojiet atpakaļ ventilatora aizsargu un augšējo apvalku.

(*skat. 23 zīm., Darbība, 3. lpp.*)

A. Degšanas kamera, **B.** Degļa galva, **C.** Aizdedzes sveces vads, **D.** Aizdedzes svece, **E.** Kurināmā šļūtene, **F.** Gaisa šļūtene

(*skat. 24 zīm., Darbība, 3. lpp.*)

A. Orifizio di uscita dell'ugello, **B.** Guarnizione, **C.** Raccordo per il tubo combustibile, **D.** Raccordo per il tubo dell'aria, **E.** Testina di combustione, **F.** Ugello

SŪKŅA ROTORS

(*Procedūra gadījumam, ja rotors iesprūst*)

1. Noņemiet augšējo apvalku (skat. 6. lpp.).
2. Atbrīvojiet ar CH 8 collu uzgriežņu atslēgu filtra gala pārsega skrūves.
3. Noņemiet filtra gala pārsegu un gaisa filtrus.
4. Atbrīvojiet ar CH 8 collu uzgriežņu atslēgu sūkņa plāksnes skrūves.
5. Noņemiet sūkņa plāksni.
6. Noņemiet rotoru, starpliku un lāpstiņas.
7. Pārbaudiet, vai sūknis nav piegrūžots. Ja sūknī ir grūži, izpūstiet tos ar saspiestu gaisu.
8. Novietojiet starpliku un rotoru atpakaļ vietā.
9. Pārbaudiet rotora spraugu. Noregulējiet spraugu pēc vajadzības 0,076/0,101 mm (skat. 27. zīm.). Piezīme: Lieciet rotoram rotēt par vienu apgriezianu, lai nodrošinātu blīvākas pozīcijas gadījumā 076/0,101 mm spraugu. Vajadzības gadījumā noregulējiet.
10. Novietojiet lāpstiņas, sūkņa plāksni, gaisa filtrus un filtra gala pārsegu.
11. Novietojiet atpakaļ ventilatora aizsargu un augšējo apvalku.
12. Noregulējiet sūkņa spiedienu (skat. 10. lpp.).
Piezīme: Ja rotors joprojām ir iesprūdis, rīkojieties sekojoši:
13. Veiciet iepriekš aprakstītos etapus no 1 līdz 6.
14. Novietojiet uz līdzenas virsmas smalku smilšpapīru (600).
Viegli slīpējiet rotoru, veicot astoņnieka kustības četras reizes (skat. 26. zīm.).
15. Novietojiet starpliku un rotoru atpakaļ vietā.
16. Veiciet iepriekš aprakstītos etapus no 10 līdz 12.

(*skat. 25 un 26 zīm., Darbība, 3. lpp.*)

A. Lāpstiņa, **B.** Sūkņa plāksne, **C.** Gaisa iekļūdes filtrs, **D.** Filtra gala pārsegs, **E.** Ventilatora aizsargs, **F.** Gaisa izplūdes filtrs, **G.** Rotors **H.** Starplika

(*skat. 27 zīm., Darbība, 4. lpp.*)

A. Spraugas regulēšanas skrūve, **B.** 0,076/0,101 mm sprauga. Mērita ar spraugmēra palīdzību., **C.** Lāpstiņa

(*skat. 28 zīm., Darbība, 4. lpp.*)

A. Smilšpapīrs

VENTILATORS

NB! Pirms sākat atvienot motoru no sildītāja, noņemiet ventilatoru no motora vārpstas. Uz ventilatoru balstošā motora smagums var deformēt ventilatora lāpstiņu leņķi.

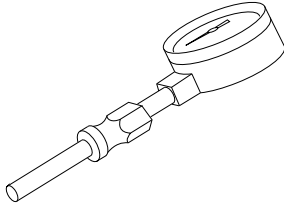
1. Noņemiet augšējo apvalku (skat. 6. lpp.).
2. Ar M 2,5 collu universālo uzgriežņu atslēgu atbrīvojiet iestatīšanas skrūvi, kas notur ventilatoru uz motora vārpstas.
3. Noslidiniet ventilatoru nost no motora vārpstas.
4. Notīriet ventilatoru, lietojot petrolejā vai šķīdinātājā samērcētu drānu.
5. Kārtīgi nosusiniet ventilatoru.
6. Novietojiet ventilatoru atpakaļ uz motora vārpstas.
Novietojiet ventilatora rumbu vienā līmenī ar motora vārpstas galu. (skat. 30. zīm.).
7. Novietojiet iestatīšanas skrūvi uz vārpstas virsmas. Spēcīgi pievelciet iestatīšanas skrūvi ar momentu 4,5 līdz 5,6 N·m (40 līdz 50 collas-mārciņa).
8. Novietojiet atpakaļ ventilatora aizsargu un augšējo apvalku.

(*skat. 29 un 30 zīm., Darbība, 3. lpp.*)

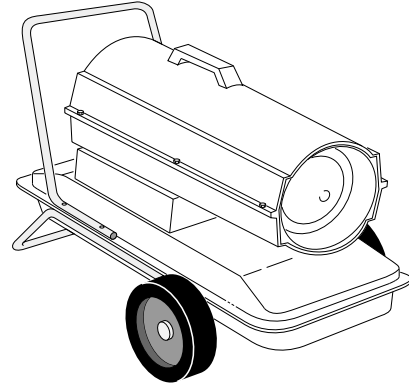
A. Ventilators, **B.** Motora vārpsta, **C.** Iestatīšanas skrūve, **D.** Vienā līmenī

PAPILDAPRĪKOJUMS

Lisaseadmeid saab osta kohaliku volitatud edasimūija kāest.

**GAISA MANOMETRS – 4109.427**

Visiem modeļiem. Speciāls instruments sūkņa spiediena kontrolēšanai.

**PAAUGSTINĀTAS IZTURĪBAS RITEŅU UN ROKTURU KOMPLEKTS – 4103.925.**

Paredzēts darbam smagos apstākļos. Padara sildītāju vēl portatīvāku un ērtāku.

Modeļiem ar jaudu 10 kW un 20 kW.

WARRANTY INFORMATION

CERTIFICATE OF GENERAL EQUIPMENT - LIMITED ONE YEAR WARRANTY

DESA Italia warrants new Products sold by it to be free from defects in material or workmanship for a period of one year after date of delivery to the first user and subject to the following conditions:

DESA Italia's obligation and liability under this Warranty is expressly limited to repairing or replacing at DESA Italia's option, any parts which appear to DESA Italia upon inspection to have been defective in material or workmanship when shipped from the factory. Such parts shall be provided at no cost to the user, at the business establishment of any factory authorized service center or the factory during regular working hours. The Warranty shall not apply to component parts or accessories of Products not manufactured by DESA Italia and which carry the warranty of the manufacturer thereof, or to normal maintenance (such as pressure adjustments) or to normal maintenance parts (such as filters and spark plugs). Replacement or repair parts installed in the Product covered by this Warranty are warranted only for the remainder of this Warranty as if such parts were original components of said Product. DESA ITALIA MAKES NO OTHER EXPRESS WARRANTY. TO THE EXTENT PERMITTED BY LAW DESA ITALIA MAKES NO IMPLIED WARRANTY AND MAKES NO WARRANTY OF MERCHANTABILITY OR FITNESS FOR ANY PARTICULAR

PURPOSE. IN ANY EVENT IMPLIED WARRANTIES INCLUDING THOSE OF MERCHANTABILITY AND FITNESS FOR A PARTICULAR PURPOSE ARE LIMITED TO THE DURATION OF THIS EXPRESS WARRANTY.

Any transportation charges, costs of installation, duty, taxes or any other charges whatsoever must be borne by the user. DESA Italia's obligation under this limited Warranty shall not include any liability for direct, indirect, incidental, or consequential damage or delay. If requested by DESA Italia, Products or parts for which a warranty claim is made are to be returned transportation prepaid by user to the factory. Any improper use, including operation after discovery of defective or worn parts, operation beyond capacity, substitution of parts not approved by DESA Italia, or any alteration or repair by others in such manner as in DESA Italia's judgement affects the Product materially and adversely, shall void this Warranty.

NO EMPLOYEE OR REPRESENTATIVE IS AUTHORIZED TO CHANGE THIS WARRANTY IN ANY WAY OR GRANT ANY OTHER WARRANTY UNLESS SUCH CHANGE IS MADE IN WRITING AND SIGNED BY AN OFFICER OF DESA ITALIA AT ITS HOME OFFICE.

WARRANTY SERVICE

Always specify model and serial numbers when communicating with the factory.

We reserve the right to amend these specifications at any time without notice. The only Warranty applicable is our standard written Warranty. We make no other Warranty, expressed or implied.

A Service Manual is available by writing to the Technical Service Department at:

ΦΟΡΗΤΗ ΘΕΡΜΑΣΤΡΑ ΕΞΑΝΑΓΚΑΣΜΕΝΗΣ ΡΟΗΣ ΑΕΡΑ ΕΓΧΕΙΡΙΔΙΟ ΧΡΗΣΗΣ

ΣΗΜΑΝΤΙΚΟ: Θα πρέπει να διαβάσετε και να κατανοήσετε το παρόν εγχειρίδιο πριν από την συναρμολόγηση, άναμμα ή επισκευή της θερμάστρας. Η ακατάλληλη χρήση της θερμάστρας μπορεί να προκαλέσει σοβαρό τραυματισμό. Κρατήστε αυτό το εγχειρίδιο για μελλοντική αναφορά.

ΠΛΗΡΟΦΟΡΙΕΣ ΑΣΦΑΛΕΙΑΣ

⚠ ΠΡΟΣΟΧΗ

ΣΗΜΑΝΤΙΚΟ: Διαβάστε προσεκτικά και πλήρως το παρόν εγχειρίδιο πριν προσπαθήσετε να συναρμολογήσετε, να λειτουργήσετε ή να επισκευάσετε αυτή τη θερμάστρα. Η μη κανονική χρήση αυτής της θερμάστρας μπορεί να προκαλέσει σοβαρό τραυματισμό ή θάνατο από εγκαύματα, φωτιά, έκρηξη, ηλεκτροπληξία και δηλητηρίαση από μονοξείδιο του άνθρακα.

⚠ ΚΙΝΔΥΝΟΣ: Η δηλητηρίαση από μονοξείδιο του άνθρακα μπορεί να προκαλέσει τον θάνατο!

Δηλητηρίαση από διοξείδιο του άνθρακα: Τα πρώτα σημάδια της δηλητηρίασης από το μονοξείδιο του άνθρακα μοιάζουν με γρίππη με πονοκεφάλους, ζαλάδα και/ή ναυτία. Εάν παρουσιάσετε αυτά τα σημάδια η θερμάστρα ενδέχεται να μη λειτουργεί σωστά. Πάρτε αμέσως καθαρό αέρα! Πάτε τη θερμάστρα για επισκευή. Ορισμένα άνθρωποι επηρεάζονται περισσότερο από το μονοξείδιο του άνθρακα από ότι άλλοι. Αυτοί περιλαμβάνουν τις εγκύους, άτομα με καρδιακές ή αναπνευστικές νόσους ή αναιμία, άτομα υπό την επήρεια οινόπνευματων και όσους βρίσκονται σε μεγάλο υψόμετρο.

Βεβαιωθείτε ότι αναγνώσατε και κατανοήσατε όλες τις προειδοποιήσεις. Κρατήστε αυτό το εγχειρίδιο για μελλοντική αναφορά. Είναι ο οδηγός σας για την ασφαλή και σωστή λειτουργία αυτής της θερμάστρας.

- Χρησιμοποιείτε μόνο κηροζίνη ή καύσιμο αρ. 1, ώστε να αποφευχθεί ο κίνδυνος πυρκαγιάς ή έκρηξης. Μη χρησιμοποιείτε ποτέ βενζίνη, νάφθα, νέφτι, οινόπνευμα ή άλλες ιδιαίτερα εύφλεκτες ουσίες ως καύσιμο.

• Εφοδιασμός

α) Το προσωπικό που ασχολείται με τον εφοδιασμό θα πρέπει να είναι ειδικευμένο και να γνωρίζει πλήρως τις οδηγίες του κατασκευαστή και τους ισχύοντες κανονισμούς σχετικά με τον εφοδιασμό θερμαντικών μονάδων.

β) Θα χρησιμοποιείται μόνο ο τύπος καυσίμου που αναφέρεται στην πινακίδα στοιχείων της θερμάστρας.

γ) Κάθε φωτιά, συμπεριλαμβανομένης της φλόγας οδηγού, εφόσον υπάρχει, θα σβήνεται και θα αφήνεται η θερμάστρα να κρυώσει πριν από τον ανεφοδιασμό.

δ) Κατά τον ανεφοδιασμό όλες οι σωληνώσεις καυσίμου και οι συνδέσεις των σωληνώσεων καυσίμου θα ελέγχονται για διαρροές. Τυχόν διαρροές θα επισκευάζονται πριν να επανατεθεί η θερμάστρα σε λειτουργία.

ε) Σε καμία περίπτωση δεν θα αποθηκεύεται περισσότερο από την προμήθεια μίας ημέρας στο εσωτερικό κτιρίου κοντά στην θερμάστρα. Ο κύριος όγκος του αποθηκευμένου καυσίμου θα είναι εκτός της κατασκευής.

στ) Όλα τα αποθηκευμένα καύσιμα θα βρίσκονται σε ελάχιστη απόσταση 8 m από θερμάστρες, φλογόκοπτες, εξοπλισμό οξυγονοκολλήσεων και παρόμοιες πηγές ανάφλεξης (με εξαίρεση: την δεξαμενή αποθήκευσης καυσίμου που είναι ενσωματωμένη στη μονάδα της θερμάστρας).

ζ) Όποτε είναι δυνατόν, η αποθήκευση καυσίμων θα πρέπει να περιορίζεται σε χώρους όπου δεν είναι δυνατόν το καύσιμο να πέσει επάνω στη φωτιά ή να ανάψει από φωτιά σε χαμηλότερο σημείο.

η) Η αποθήκευση των καυσίμων θα γίνεται σύμφωνα με την αρχή που έχει δικαιοδοσία.

- Ποτέ μη χρησιμοποιείτε τη θερμάστρα σε χώρους όπου υπάρχει βενζίνη, νέφτι ή άλλες έντονα εύφλεκτες αναθυμιάσεις.
- Ακολουθείτε όλους τους τοπικούς κανονισμούς και κώδικες κατά τη χρήση της θερμάστρας.
- Οι θερμάστρες που χρησιμοποιούνται κοντά σε λινάτσες, μουσαμά ή αντίστοιχα υλικά περιφράξης θα πρέπει να βρίσκονται σε ασφαλή απόσταση από τα υλικά αυτά. Η συνιστώμενη ελάχιστη ασφαλή απόσταση είναι 3 m. Συστήνεται επίσης αυτά τα υλικά περιφράξης θα πρέπει να είναι βραδυφλεγής φύσης. Αυτά τα υλικά περιφράξης θα στερεώνονται με ασφάλεια προκειμένου να μην είναι δυνατόν να αναφλεγούν ή να χτυπήσουν τη θερμάστρα λόγω κίνησης από τον αέρα.
- Να χρησιμοποιείται μόνο σε καλά αεριζόμενο χώρο. Πριν χρησιμοποιήσετε τη θερμάστρα να παρέχετε τουλάχιστον 2800 τετραγωνικά εκατοστά (τρία τετραγωνικά πόδια) άνοιγμα φρέσκου αέρα για κάθε 30 kw (100,000 Btu/Hr) ονομαστικής ισχύος.
- Να χρησιμοποιείται μόνο σε χώρους που δεν έχουν εύφλεκτες αναθυμιάσεις ή υψηλή περιεκτικότητα σε σκόνη.
- Να χρησιμοποιείται μόνο η ηλεκτρική ισχύς και συχνότητα που καθορίζεται στην πινακίδα του μοντέλου.
- Να χρησιμοποιείται καλώδιο επέκτασης μόνο με τρεις ακροδέκτες και γείωση.
- Ελάχιστες αποστάσεις της θερμάστρας από εύφλεκτα: Μπουρί: 2,5 m πλαϊνά, κορυφή και πίσω μέρος: 1,25 m.
- Να τοποθετείτε τη θερμάστρα σε σταθερή και επίπεδη επιφάνεια όταν η θερμάστρα είναι καυτή ή σε λειτουργία ή υπάρχει κίνδυνος φωτιάς.
- Κατά τη μεταφορά ή την αποθήκευση της θερμάστρας να κρατείτε τη θερμάστρα σε επίπεδη θέση ειδικά ενδέχεται να χυθεί το καύσιμο.
- Να κρατείτε τα παιδιά και τα ζώα μακριά από τη θερμάστρα.
- Να βγάζετε από την πρίζα την θερμάστρα όταν δεν είναι σε χρήση.
- Όταν χρησιμοποιείται με θερμοστάτη η θερμάστρα ενδέχεται να ανάψει κατά οποιαδήποτε στιγμή.
- Να μη χρησιμοποιείτε ποτέ τη θερμάστρα σε χώρους όπου μένετε ή κοιμάστε.
- Να μην φράζετε ποτέ την είσοδο αέρα (πίσω μέρος) ή την έξοδο αέρα (εμπρός μέρος) της θερμάστρας.
- Να μην μετακινείτε, χειρίζεστε, επανατροφοδοτείτε ή επισκευάζετε τη θερμάστρα ενώ είναι καυτή, ενώ λειτουργεί ή ενώ είναι στην πρίζα.
- Να μην συνδέετε αγωγούς στο μπροστά ή στο πίσω μέρος της θερμάστρας.

ΑΝΑΓΝΩΡΙΣΗ ΠΡΟΪΟΝΤΟΣ

(βλέπε σχήμα 1, ε 2 σελίδα 2)

A. Έξοδος καυτού αέρα, **B.** Λαβή, **C.** Προστατευτικό ανεμιστήρα, **D.** Κάτω κάλυμμα φίλτρου αέρα, **E.** Καπάκι καυσίμων, **F.** Καλώδιο ρεύματος, **G.** Φωτιζόμενος διακόπτης ON/OFF, **H.** Πλευρικό κάλυμμα, **I.** Δοχείο καυσίμου, **L.** Κάτω κάλυμμα, **M.** Επάνω κάλυμμα, **N.** Πλήκτρο επανεκκίνησης.

ΑΦΑΙΡΕΣΗ ΤΗΣ ΣΥΣΚΕΥΑΣΙΑΣ

1. Αφαιρέστε όλα τα υλικά της συσκευασίας που είχαν τοποθετηθεί στη θερμάστρα για τη μεταφορά.
2. Αφαιρέστε όλα τα αντικείμενα από το χαρτόκουτο.
3. Ελέγξτε τα μέρη για τυχόν ζημιά κατά τη μεταφορά. Εάν η θερμάστρα έχει υποστεί ζημιά να ενημερώσετε άμεσα τον έμπορο από τον οποίο αγοράσατε τη θερμάστρα.

ΚΑΥΣΙΜΑ

ΠΡΟΣΟΧΗ: Χρησιμοποιείτε μόνο κηροζίνη ή καύσιμο αρ. 1, ώστε να αποφευχθεί ο κίνδυνος πυρκαγιάς ή έκρηξης. Μη χρησιμοποιείτε ποτέ βενζίνη, νάφθα, νέφτι, οινόπνευμα ή άλλες ιδιαίτερα εύφλεκτες ουσίες ως καύσιμο.

Μη χρησιμοποιείτε βαριά καύσιμα όπως μαζούτ Αρ. 2 ή Ντίζελ Αρ. 2. Η χρήση βαριών καυσίμων θα έχει ως αποτέλεσμα :

- απόφραξη του φίλτρου καυσίμου και του ακροφυσίου
- χρήση μη τοξικού αντιψυκτικού στο καύσιμο κατά τη διάρκεια πολύ ψυχρού καιριού

ΣΗΜΑΝΤΙΚΟ: Να χρησιμοποιείτε δοχείο που περιέχει ΜΟΝΟ ΚΗΡΟΖΙΝΗ. Να βεβαιώνετε ότι το δοχείο αποθήκευσης είναι καθαρό. Ξένα σώματα όπως σκουριά, βρωμιά ή νερό θα κάνουν τον ρυθμιστή φλόγας να σβήσει τη θερμάστρα. Τα ξένα σώματα ενδέχεται επίσης να σας αναγκάζουν να καθαρίζετε το σύστημα καυσίμων πιο συχνά.

ΔΙΑΤΑΞΗ (μόνο για τα μοντέλα 29 e 44 kW)

Αυτά τα μοντέλα είναι εξοπλισμένα με ρόδες και λαβές. Οι ρόδες, οι λαβές και ο εξοπλισμός στερέωσης βρίσκονται στο χαρτοκιβώτιο μεταφοράς.

Απαιτούμενα Εργαλεία

- Μεσαίο Σταυροκατσάβιδο
- Ανοικτό ή ρυθμιζόμενο κλειδί · 3/8"
- Σφυρί.

1. Σύρετε τον άξονα μέσα από το πλαίσιο στήριξης των ροδών. Εγκαταστήστε τις ρόδες στον άξονα. **ΣΗΜΑΝΤΙΚΟ:** Καθώς εγκαταστήτε τις ρόδες, να κατευθύνετε την προέκταση του καλύμματος των ροδών προς το πλαίσιο στήριξης των ροδών (βλ. Σχήμα 3).
2. Τοποθετήστε παξιμάδια προστασίας στις άκρες του άξονα. Χτυπήσατε ελαφρά με το σφυρί για να τα ασφαλίσετε.
3. Τοποθετήστε τη θερμάστρα στο πλαίσιο στήριξης των ροδών. Βεβαιωθείτε ότι το σημείο εισόδου αέρα (πίσω) της θερμάστρας είναι πάνω από τις ρόδες. Ευθυγραμμίστε τις σπές της φλάντζας με τις σπές στο πλαίσιο στήριξης των ροδών.
4. Τοποθετήστε την μπροστά και την πίσω λαβή επάνω στη φλάντζα του δοχείου καυσίμων. Εισάγετε βίδες διαμέσου των λαβών, της φλάντζας του δοχείου καυσίμων και του πλαισίου στήριξης ροδών. Σφίξτε με το χέρι τα παξιμάδια αφού έχετε εισάγει κάθε βίδα.
5. Αφού εισάγετε όλες τις βίδες σφίξτε δυνατά τα παξιμάδια.

(βλέπε σχήμα 3 σελίδα 2)

A. Έξοδος καυτού αέρα, **B.** Βίδα, **C.** Μπροσινή λαβή, **D.** Πίσω λαβή, **E.** Είσοδος αέρα, **F.** Προέκταση καλύμματος, **G.** Άξονας, **H.** Ρόδα, **I.** Παξιμάδι, **L.** Παξιμάδι προστασίας, **M.** Πλαίσιο στήριξης ροδών, **N.** Φλάντζα δοχείου καυσίμου.

Ε Ξ Α Ε Ρ Ι Σ Μ Ο Σ

ΠΡΟΣΟΧΗ: Να ακολουθείτε τις ελάχιστες απαιτήσεις εξαερισμού με φρέσκο αέρα. Εάν δεν παρέχεται φρέσκος αέρας από έξω υπάρχει περίπτωση να προκύψει δηλητηρίαση από μονοξείδιο του άνθρακα. Να παρέχετε τον κατάλληλο εξαερισμό με φρέσκο εξωτερικό αέρα, πριν ανάψετε τη θερμάστρα.

Να παρέχετε άνοιγμα φρέσκου αέρα τουλάχιστον 2800 τετραγωνικών εκατοστών (τριών τετραγωνικών ποδών) για κάθε 30kw ονομαστικής ισχύος. Να παρέχετε συμπληρωματικό φρέσκο αέρα εάν χρησιμοποιούνται περισσότερες θερμάστρες. Παράδειγμα: Για μια θερμάστρα 43kw απαιτείται ένα από τα ακόλουθα:

- Άνοιγμα θύρας για γκαράζ δύο αυτοκινήτων (5 μέτρα σε ύψος 9 cm.
- Άνοιγμα θύρας για γκαράζ ενός αυτοκινήτων (3 μέτρα σε ύψος 15 cm.

- δύο παράθυρα 76 εκ. ανυψωμένα κατά 28 εκ.

ΘΕΩΡΙΑ ΛΕΙΤΟΥΡΓΙΑΣ

Σύστημα καυσίμων: Η αντλία αέρα πιέζει τον αέρα μέσα από τη σωλήνωση αέρα. Ο αέρας ύστερα πιέζεται μέσα από το ακροφύσιο της κεφαλής του καυστήρα. Αυτός ο αέρας κάνει τον αέρα να σηκώνεται από το δοχείο. Ψεκάζεται ένα φιλό νέφος καυσίμου στο θάλαμο καύσης.

Το σύστημα αέρα: Το μοτέρ γυρνά των ανεμιστήρα. Με τον ανεμιστήρα ο αέρας πιέζεται μέσα και γύρω από τον θάλαμο καύσης. Ο αέρας αυτός θερμαίνεται και παράγει μία δέσμη καθαρού καυτού αέρα.

Σύστημα ανάφλεξης: Το σύστημα ανάφλεξης στέλνει τάση στον σπινθηριστή. Ο σπινθηριστής προκαλεί ανάφλεξη στο μείγμα αέρα- καυσίμου.

Σύστημα ρύθμισης σβησίματος φλόγας: Το σύστημα αυτό κάνει τα θερμάστρα να σβήσει σε περίπτωση που σβήσει η φλόγα.

(βλέπε σχήμα 4 σελίδα 2)

A. Έξοδος θερμού αέρα, **B.** Θάλαμος καύσης, **C.** Αναφλεκτήρας, **D.** Πλαίσιο στήριξης, **E.** Ανεμιστήρας, **F.** Motor, **G.** Air Pump, **H.** Air Intake Filter, **I.** Cool Air In, **L.** Air Output Filter, **M.** Συγκρότημα Ρυθμιστή Ανάφλεξης, **N.** Αεραγωγός προς τον καυστήρα, **O.** Φίλτρο καυσίμου, **P.** Ακροφύσιο, **Q.** Δοχείο καυσίμου, **R.** Αέρας συστήματος καυσίμων, **S.** Αέρας καύσης και θέρμανσης, **T.** Καύσιμο.

ΛΕΙΤΟΥΡΓΙΑ

ΠΡΟΣΟΧΗ: Μελετήστε και κατανοήστε τις προειδοποιήσεις στην ενότητα Πληροφορίες ασφαλείας, σελ. 2. Απαιτούνται για την ασφαλή λειτουργία της θερμάστρας. Να τηρείτε όλους τους τοπικούς κανονισμούς κατά τη χρήση αυτής της θερμάστρας.

ΓΙΑ ΝΑ ΑΝΑΨΕΤΕ ΤΗ ΘΕΡΜΑΣΤΡΑ

1. Να ακολουθείτε όλες τις πληροφορίες εξαερισμού και ασφαλείας.
2. Γεμίστε το δοχείο καυσίμου με κηροζίνη ή καύσιμο Αρ. 1.
3. Κλείστε το πώμα του δοχείου καυσίμου.

Συνδέστε το καλώδιο ρεύματος της θερμάστρας σε κανονική πρίζα τοίχου 230 βολτ/50 hertz, με γείωση. Χρησιμοποιήστε καλώδιο επέκτασης εφόσον χρειάζεται. Να χρησιμοποιείται καλώδιο επέκτασης μόνο με τρεις ακροδέκτες και γείωση.

Απαιτήσεις μήκους επέκτασης καλωδίου:

Έως και 30 μέτρα μήκος, χρησιμοποιήστε αγωγό 1,0 mm² (16 AWG).

30 έως 61 μέτρα μήκος, χρησιμοποιήστε αγωγό 1,5 mm² (14 AWG).

Θέστε τον διακόπτη ON/OFF στην θέση ON και το θερμαντικό σώμα θα ξεκινήσει. Σε περίπτωση που δεν πραγματοποιηθεί επανεκκίνηση πατήστε το πλήκτρο επανεκκίνησης (βλ. Σχ. 5 και 6).

ΠΡΟΚΕΙΜΕΝΟΥ ΝΑ ΣΒΗΣΕΤΕ ΤΗ ΘΕΡΜΑΣΤΡΑ

Πιέστε το διακόπτη ON/OFF στη θέση OFF (O).

ΠΡΟΚΕΙΜΕΝΟΥ ΝΑ ΞΑΝΑΨΕΤΕ ΤΗ ΘΕΡΜΑΣΤΡΑ

1. Περιμένετε 2 λεπτά από την στιγμή που το θερμαντικό σώμα σταματήσει.
2. Επαναλάβετε την διαδικασία που περιγράφετε στο κεφ. " Για να ανάψετε την θερμάστρα".

(βλέπε σχήμα 5 σελίδα 2)

A. Πλήκτρο επανεκκίνησης, **B.** Φωτιζόμενος διακόπτης ON/OFF.

ΑΠΟΘΗΚΕΥΣΗ, ΜΕΤΑΦΟΡΑ Ή ΑΠΟΣΤΟΛΗ

Σημείωση: Κατά την αποστολή οι εταιρείες μεταφορών παιτούν να είναι άδεια τα δοχεία καυσίμων.

1. Αδειάστε το δοχείο καυσίμου.

Σημείωση: Ορισμένα μοντέλα διαθέτουν πώμα αποστράγγισης στο κάτω μέρος του δοχείου καυσίμου. Εάν υπάρχει, αφαιρέστε

- το πώμα αποστράγγισης για να αποστραγγίσετε όλο το καύσιμο. Εάν η θερμάστρα δεν διαθέτει πώμα αποστράγγισης, στραγγίστε το καύσιμο από το άνοιγμα αφού βγάλετε το καπάκι καυσίμων. Βεβαιωθείτε ότι έχει αφαιρεθεί όλο το καύσιμο.
- Επανατοποθετήστε το πώμα αποστράγγισης εφόσον υπάρχει.
 - Εάν παρατηρήσετε οποιαδήποτε επικάλυψη από παλιό καύσιμο, προσθέστε 1 ή 2 τέταρτα καθαρής κηροζίνης στο δοχείο, ανακατέψτε και αποστραγγίστε πάλι. Με αυτό τον τρόπο θα αποφύγετε να έχετε παραπάνω υπολείμματα που θα προκαλέσουν εμπλοκή στα φίλτρα κατά τη χρήση στο μέλλον.
 - Επανατοποθετήστε το καπάκι καυσίμων ή το πώμα αποστράγγισης.

γίσης. Πετάξτε σωστά το παλιό και βρώμικο καύσιμο. Επικοινωνήστε με τοπικούς σταθμούς σέρβις αυτοκινήτων που ανακυκλώνουν το πετρέλαιο.

- Κατά την αποθήκευση, αποθηκεύστε τη θερμάστρα σε ξηρό μέρος. Βεβαιωθείτε ότι ο χώρος αποθήκευσης δεν περιλαμβάνει σκόνη και διαβρωτικές αναθυμιάσεις.

ΣΗΜΑΝΤΙΚΟ: Μην αποθηκεύετε κηροζίνη κατά τους καλοκαιρινούς μήνες για να τη χρησιμοποιήσετε την επόμενη θερμαντική περίοδο. Η χρήση παλιού καυσίμου μπορεί να προκαλέσει ζημιά στη θερμάστρα.

ΠΡΟΓΡΑΜΜΑ ΠΡΟΛΗΠΤΙΚΗΣ ΣΥΝΤΗΡΗΣΗΣ

ΠΡΟΣΟΧΗ: Να μη γίνεται ποτέ συντήρηση στη θερμάστρα ενώ είναι συνδεδεμένη με το ρεύμα, ενώ λειτουργεί ή ενώ είναι καυτή. Μπορεί να προκύψουν σοβαρά εγκαύματα και ηλεκτροπληξία.

Εξάρτημα	Πόσο συχνά	Πώς
Δοχείο καυσίμου	Να τα ξεπλένετε κάθε 150-200 ώρες λειτουργίας ή όταν απαιτείται	Βλέπε «Αποθήκευση, μετακίνηση ή αποστολή»
Φίλτρα αέρα εισόδου και εξόδου	Αντικατάσταση κάθε 500 ώρες λειτουργίας ή μια φορά το χρόνο.	Βλ. «Φίλτρα εξόδου αέρα, εισόδου αέρα και σκόνης», σελίδα 8
Φίλτρο αέρα εισόδου	Να πλένεται και να στεγνώνεται με σαπούνι και νερό κάθε 500 ώρες λειτουργίας ή όποτε απαιτείται.	Βλ. «Φίλτρα εξόδου αέρα, εισόδου αέρα και σκόνης», σελίδα 8
Φίλτρο καυσίμου	Να καθαρίζεται δύο φορές ανά περίοδο θέρμανσης ή όπως απαιτείται.	Βλ. «Φίλτρο Καυσίμων», σελίδα 8
Αναφλεκτήρας	Καθαρίστε και προσαρμόστε το κενό κάθε 600 ώρες λειτουργίας όπως κριθεί αναγκαίο.	
Πτερύγια ανεμιστήρα	Να καθαρίζεται κάθε περίοδο όπως απαιτείται	Βλ. «Ανεμιστήρας», σελίδα 11
Μοτέρ	Δεν απαιτείται / είναι μονίμως γρασσαρισμένο	

ΑΝΤΙΜΕΤΩΠΙΣΗ ΠΡΟΒΛΗΜΑΤΩΝ

ΠΡΟΣΟΧΗ: Να μη γίνεται ποτέ συντήρηση στη θερμάστρα ενώ είναι συνδεδεμένη με το ρεύμα, ενώ λειτουργεί ή ενώ είναι καυτή. Μπορεί να προκύψουν σοβαρά εγκαύματα και ηλεκτροπληξία.

ΚΑΤΑΣΤΑΣΗ ΣΦΑΛΜΑΤΟΣ	ΠΙΘΑΝΗ ΑΙΤΙΑ	ΑΠΟΚΑΤΑΣΤΑΣΗ
Η θερμάστρα ανάβει αλλά η διάταξη ελέγχου ανάφλεξης σβήνει το θερμαντικό σώμα μετά από λίγη ώρα.	<ol style="list-style-type: none"> Η πίεση της αντλίας είναι ακατάλληλη Βρωμιά στο φίλτρο αέρα εισόδου, στο φίλτρο αέρα εξόδου και/ή στο φίλτρο σκόνης Βρωμιά στο φίλτρο καυσίμου Φράξιμο της διάταξης ακροφυσίου Χαλασμένο σύστημα διακοπής της φλόγας Βρώμικος φακός φωτοκύτταρου 	<ol style="list-style-type: none"> Βλ. "Ρύθμιση πίεσης αντλίας" Σελ.10 Βλ. "Φίλτρα εξόδου αέρα, εισόδου αέρα και σκόνης" Σελ. 10 Βλ. "Φίλτρο καυσίμων" Σελ. 8 Βλ. "Διάταξη ακροφυσίου" Σελ. 11 Αντικαταστήστε το σύστημα διακοπής της φλόγας Καθαρίστε τον φακό του φωτοκύτταρου
Ο κινητήρας αρχίζει και σταματά αλλά το θερμαντικό σώμα δεν λειτουργεί	<ol style="list-style-type: none"> Η πίεση της αντλίας είναι ακατάλληλη Βρωμιά στο φίλτρο καυσίμου Φράξιμο της διάταξης ακροφυσίου Νερό στο δοχείο καυσίμου Η ηλεκτρονική ανάφλεξη δεν είναι γειωμένη Χαλασμένος ηλεκτρονικός ναφλεκτήρας 	<ol style="list-style-type: none"> Βλ. "Ρύθμιση πίεσης αντλίας" Σελ.10 Βλ. "Φίλτρο καυσίμων" Σελ. 8 Βλ. "Διάταξη ακροφυσίου" Σελ. 11 Απομακρύνεται το νερό από το δοχείο καυσίμων και καθαρίστε την επιφάνεια με κηροζίνη. Βλ. "Αποθήκευση, Μεταφορά ή Αποστολή" Σελ. 5 Βεβαιωθείτε ότι η σύνδεση της γείωσης με την ηλεκτρονική ανάφλεξη είναι σωστή Αντικαταστήστε τον ηλεκτρονικό αναφλεκτήρα
Ο κινητήρας δεν τίθεται σε λειτουργία ή η φτερωτή περιστρέφεται αργά ή καθόλου	<ol style="list-style-type: none"> Δεν έχει πραγματοποιηθεί επανεκκίνηση στο σύστημα ελέγχου της φλόγας Εμπλοκή στο στροφείο της αντλίας 	<ol style="list-style-type: none"> Πραγματοποιήστε εκκίνηση Σε περίπτωση που η φτερωτή περιστρέφεται αργά δείτε "Ρύθμιση πίεσης αντλίας" Σελ. 8

ΠΡΟΕΙΔΟΠΟΙΗΣΗ : ΥΨΗΛΗ ΤΑΣΗ

ΔΙΑΔΙΚΑΣΙΕΣ ΣΕΡΒΙΣ

ΠΡΟΣΟΧΗ: Να μη γίνετε ποτέ συντήρηση στη θερμάστρα ενώ είναι συνδεδεμένη με το ρεύμα, ενώ λειτουργεί ή ενώ είναι καυτή. Μπορεί να προκύψουν σοβαρά εγκαύματα και ηλεκτροπληξία.

ΑΦΑΙΡΕΣΗ ΤΟΥ ΕΠΑΝΩ ΚΑΛΥΜΜΑΤΟΣ

1. Αφαιρέστε τις βίδες και τις ροδέλες στερέωσης σε κάθε πλευρά της θερμάστρας, χρησιμοποιώντας κατσαβίδι για παξιμάδια 5/16". Αυτές οι βίδες στερεώνουν μαζί το επάνω με το κάτω κάλυμμα.
2. Σηκώστε και βγάλτε το επάνω κάλυμμα.
3. Αφαιρέστε το προστατευτικό του ανεμιστήρα.

ΦΙΛΤΡΟ ΚΑΥΣΙΜΟΥ -(Μοντέλα 10 και 20 kW)-

1. Αφαιρέστε τις βίδες του πλευρικού καλύμματος χρησιμοποιώντας κατσαβίδι για παξιμάδια 5/16".
2. Αφαιρέστε το πλαϊνό κάλυμμα.
3. Τραβήξτε τον ελαστικό σωλήνα καυσίμου από το στόμιο του φίλτρου καυσίμου.
4. Βγάλτε προσεκτικά το μονωτήρα και το φίλτρο καυσίμου από το δοχείο καυσίμου.
1. Ξεπλύνετε το φίλτρο καυσίμου με καθαρό καύσιμο και επανατοποθετήστε το στο δοχείο.
2. Συνδέστε τον ελαστικό σωλήνα καυσίμου στο στόμιο του φίλτρου καυσίμου.
3. Επανατοποθετήστε το πλαϊνό κάλυμμα.

ΦΙΛΤΡΟ ΚΑΥΣΙΜΟΥ -(Μοντέλα 29 και 44 kW)-

1. Αφαιρέστε τις βίδες του πλευρικού καλύμματος χρησιμοποιώντας κατσαβίδι για παξιμάδια 5/16".
2. Αφαιρέστε το πλαϊνό κάλυμμα.
3. Τραβήξτε τον επάνω σωλήνα καυσίμου από το στόμιο του φίλτρου καυσίμου.
4. Βγάλτε προσεκτικά το μονωτήρα, τον κάτω σωλήνα καυσίμου και το φίλτρο καυσίμου από το δοχείο καυσίμου.
5. Ξεπλύνετε το φίλτρο καυσίμου με καθαρό καύσιμο και επανατοποθετήστε το στο δοχείο.
6. Συνδέστε τον επάνω σωλήνα καυσίμου στο στόμιο του φίλτρου καυσίμου.
7. Επανατοποθετήστε το πλαϊνό κάλυμμα.

(βλέπε σχήμα 7, ε 8 σελίδα 2)

A. Επάνω περιβλήμα, **B.** Προστατευτικό Ανεμιστήρα.

(βλέπε σχήμα 9 σελίδα 2)

A. Φίλτρο καυσίμου, **B.** Πλευρικό κάλυμμα, **C.** Σωλήνωση καυσίμου.

(βλέπε σχήμα 10 σελίδα 2)

A. Φίλτρο καυσίμου, μονωτήρας και κάτω σωλήνας καυσίμου, **B.** Επάνω κάλυμμα καυσίμου, **C.** Πλευρικό κάλυμμα,

ΣΠΥΝΘΙΡΙΣΤΗΣ (Για μοντέλο 35.000 Btu/Hr)

1. Αφαιρέστε το επάνω κάλυμμα (Βλ. Σελ. 8)
2. Αφαιρέστε την φτερωτή (Βλ. Σελ. 13)
3. Αποσυνδέστε τους αγωγούς αέρα και καυσίμων από την διάταξη ακροφυσίου μετατροπέα
4. Αποσυνδέστε τον σπυνθιριστή από το καλώδιο του
5. Αφαιρέστε 2 βίδες κάνοντας χρήση κατσαβιδιού 5/16" και απομακρύνεται το πλαίσιο
6. Τοποθετήστε τον σπυνθιριστή πάνω στην μέγγενη και σφίξτε
7. Αφαιρέστε το περικόχλιο που κρατάει τον σπυνθιριστή στο πλαίσιο στήριξης χρησιμοποιώντας κλειδί 11/16"
8. Αφαιρέστε το πλαίσιο στήριξης από τον σπυνθιριστή
9. Καθαρίστε και ρυθμίστε το διάκενο 1,4 mm
10. Επανατοποθετήστε τον σπυνθιριστή. Επαναφέρετε το στην αρχική θέση περιστρέφοντας το (Βλ. Σχ.13)
11. Σφίξτε το περικόχλιο του σπυνθιριστή
12. Ελευθερώστε τον σπυνθιριστή από την μέγγενη
13. Επανατοποθετήστε το πλαίσιο στήριξης επάνω στον θάλαμο καύσης
14. Συνδέστε το καλώδιο του σπυνθιριστή

15. Συνδέστε τους αγωγούς καυσίμων και αέρος
16. Επανατοποθετήστε την φτερωτή
17. Επανατοποθετήστε τον προφυλακτήρα της φτερωτής και το κάλυμμα

(βλέπε σχήμα 11 σελίδα 2)

A. Θάλαμος καύσης, **B.** Περικόχλιο σύσφιξης σπυνθιριστή, **C.** Πλαίσιο στήριξης μετατροπέα ακροφυσίου, **D.** Σπυνθιριστής, **E.** Καλώδιο σπυνθιριστή, **F.** Μετατροπέας ακροφυσίου, **G.** Αγωγός καυσίμου, **H.** Αγωγός αέρα

(βλέπε σχήμα 12 σελίδα 2)

A. Κάμψτε εδώ για να προσαρμόσετε το κενό

(βλέπε σχήμα 13 σελίδα 2)

A. Πλαίσιο στήριξης μετατροπέα ακροφυσίου

ΣΠΥΝΘΙΡΙΣΤΗΣ (Για τα μοντέλα 70/100/150,000 Btu/Hr)

1. Αφαιρέστε το επάνω κάλυμμα (Βλ. Σελ. 8)
2. Αφαιρέστε την φτερωτή (Βλ. Σελ. 13)
3. Αφαιρέστε το καλώδιο του σπυνθιριστή από τον σπυνθιριστή
4. Αφαιρέστε τον σπυνθιριστή από το πλαίσιο στήριξης μετατροπέα καυσίμου χρησιμοποιώντας κατσαβίδι 13/16"
5. Καθαρίστε και ρυθμίστε το κενό των ηλεκτροδίων των σπυνθιριστών ακολούθως: Για τα μοντέλα 70/100.000 Btu/Hr 1.9 mm κενό. Στα μοντέλα 150.000 Btu/Hr 2.8 mm.
6. Τοποθετήστε τον σπυνθιριστή στο πλαίσιο στήριξης
7. Συνδέστε το καλώδιο του σπυνθιριστή
8. Επανατοποθετήστε την φτερωτή
9. Επανατοποθετήστε τον προφυλακτήρα της φτερωτής και το κάλυμμα

(vedi figura 14)

A. Πλαίσιο Στήριξης, **B.** Καλώδιο σπυνθιριστή, **C.** Σπυνθιριστής

(vedi figura 15)

A. Λυγίστε εδώ για να προσαρμόσετε το κενό, **B.** Κενό

ΦΙΛΤΡΑ ΕΙΣΟΔΟΥ ΑΕΡΑ, ΕΞΑΓΩΓΗΣ ΑΕΡΑ ΚΑΙ ΣΚΟΝΗΣ

1. Αφαιρέστε το επάνω κάλυμμα (βλ. σελίδα 6)
2. Αφαιρέστε τις βίδες του καλύμματος του φίλτρου χρησιμοποιώντας κατσαβίδι για παξιμάδια 5/16".
3. Αφαιρέστε το κάτω κάλυμμα του φίλτρου.
4. Αντικαταστήστε το φίλτρο αέρα εξόδου και το φίλτρο σκόνης.
5. Πλύνετε ή αντικαταστήστε το φίλτρο εισόδου αέρα (βλ. Πρόγραμμα Προληπτικής Συντήρησης, σελίδα 5).
6. Επανατοποθετήστε το κάτω κάλυμμα του φίλτρου.
7. Επανατοποθετήστε το προστατευτικό ανεμιστήρα και το επάνω κάλυμμα.

ΣΗΜΑΝΤΙΚΟ: Μην λαδώνετε τα φίλτρα.

ΡΥΘΜΙΣΗ ΠΙΕΣΗΣ ΑΝΤΛΙΑΣ

1. Αφαιρέστε την τάπα του μετρητή πίεσης από το κάτω κάλυμμα του φίλτρου.
 2. Εγκαταστήστε τον ανταλλακτικό μετρητή πίεσης (αρ. εξαρτήματος 4109.427).
 3. Ανάψτε τη θερμάστρα (βλ. «Λειτουργία», σελίδα 4). Αφήστε το μοτέρ να φτάσει την πλήρη ταχύτητα.
 4. Ρυθμίστε την πίεση. Γυρίστε τη βαλβίδα εκτόνωσης πίεσης προς τα δεξιά για να αυξήσετε την πίεση. Γυρίστε τη βαλβίδα εκτόνωσης πίεσης προς τα αριστερά για να μειώσετε την πίεση. Δείτε τις παρακάτω προδιαγραφές για την κατάλληλη πίεση κάθε μοντέλου.
 5. Αφαιρέστε τον μετρητή πίεσης. Επανατοποθετήστε την τάπα του μετρητή πίεσης από το κάτω κάλυμμα του φίλτρου.
- (βλέπε σχήμα 16, ε 17 σελίδα 3)
- A.** Φίλτρο αέρα εισόδου, **B.** Κάτω κάλυμμα φίλτρου, **C.** Προστασία ανεμιστήρα, **D.** Φίλτρο εξόδου αέρα, **E.** Φίλτρο σκόνης.
- (βλέπε σχήμα 18 σελίδα 3)
- A.** Τάπα μετρητή πίεσης, **B.** Βαλβίδα εκτόνωσης, **C.** Πλαστικό καπάκι

Μοντέλο	Πίεση αντλίας (Bar/PSI)
10 kW	0,207 / 3
20 kW	0,365 / 5,3
29 kW	0,275 / 4
44 kW	0,337 / 4,9

(βλέπε σχήμα 19 σελίδα 3)

A. Μετρητής πίεσης

ΔΙΑΤΑΞΗ ΑΚΡΟΦΥΣΙΟΥ

1. Αφαιρέστε το επάνω κάλυμμα (βλ. σελίδα 7)
2. Αφαιρέστε τον ανεμιστήρα (βλ. σελίδα 11)
3. Αφαιρέστε τους ελαστικούς σωλήνες του αγωγού καυσίμου και του αγωγού αέρα από τη διάταξη ακροφυσίου (βλ. Σχήμα 17, 18 ή 19).
4. Γυρίστε τη διάταξη ακροφυσίου 1/4 προς τα αριστερά και τραβήξτε προς το μοτέρ για να την αφαιρέσετε (βλ. σχήμα 20).
5. Τοποθετήστε το πλαστικό εξάγωνο μέρος στη μέγγενη και σφίξτε ελαφρά.
6. Αφαιρέστε προσεκτικά το ακροφύσιο από τον μετατροπέα ακροφυσίου χρησιμοποιώντας σωληνωτό κλειδί 5/8" (βλ. Σχήμα 21)
7. Περάστε πεπιεσμένο αέρα από το εμπρός μέρος του ακροφυσίου. Έτσι θα αφαιρεθεί τυχόν βρωμιά στο χώρο του ακροφυσίου.
8. Ελέγξτε τη τσιμούχα του ακροφυσίου για τυχόν ζημιά.
9. Επανατοποθετήστε το ακροφύσιο στον μετατροπέα ακροφυσίου μέχρι να ασφαλίσει το ακροφύσιο. Σφίξτε κατά 1/3 στροφές με σωληνωτό κλειδί 5/8" 4,5 με 5,1 N- m. Βλ. Σχήμα 21.
10. Συνδέστε τη διάταξη ακροφυσίου στη λωρίδα του καυστήρα.
11. Συνδέστε τους ελαστικούς σωλήνες των αγωγών καυσίμου και αέρα στη διάταξη του ακροφυσίου. Βλ. Αντικατάσταση Αγωγού Καυσίμου και Αγωγού Αέρα και κατάλληλη διαδρομή, βλέπε σελίδα 9.
12. Επανατοποθετήστε τον ανεμιστήρα (βλ. σελίδα 11)
13. Επανατοποθετήστε το προστατευτικό του ανεμιστήρα και το επάνω κάλυμμα (βλ. σελίδα 7).

(βλέπε σχήμα 20, e 21 σελίδα 3)

A. Θάλαμος καύσης, B. Πλαίσιο στήριξης μετατροπέα ακροφυσίου, C. Διάταξη Ακροφυσίου/ Μετατροπέα, D. Αγωγός καυσίμου, E. Αγωγός αέρα

(βλέπε σχήμα 22 σελίδα 3)

A. Μπροστινό μέρος του ακροφυσίου, B. Τσιμούχα κροφυσίου, C. Σύνδεση αγωγού καυσίμου, D. Σύνδεση αγωγού αέρα, E. Μετατροπέας ακροφυσίου, F. Ακροφύσιο

ΑΚΡΟΦΥΣΙΟ

(Για μοντέλα 70/100/150,000 Btu/Hr)

1. Αφαιρέστε το επάνω κάλυμμα (βλ. Σελ. 8)
2. Αφαιρέστε την φτερωτή (βλ. Σελ. 13)
3. Αφαιρέστε τους αγωγούς του αέρα και των καυσίμων από το πλαίσιο στήριξης
4. Αφαιρέστε το καλώδιο του σπυνθιριστή από τον σπυνθιριστή
5. Αφαιρέστε το περικόχλιο που κρατάει τον σπυνθιριστή στο πλαίσιο στήριξης χρησιμοποιώντας κλειδί 13/16"
6. Αφαιρέστε τρεις βίδες χρησιμοποιώντας γεμ/νο 5/16" και απομακρύνεται το πλαίσιο στήριξης από τον θάλαμο καύσης
7. Τοποθετήστε το πλαίσιο στήριξης πάνω στην μέγγενη και σφίξτε
8. Προσεκτικά Αφαιρέστε το ακροφύσιο από το πλαίσιο χρησιμοποιώντας 5/8" κλειδί (βλ. Σχ. 24)
9. Εισάγετε πεπιεσμένο αέρα στην μύτη του ακροφυσίου
10. Ελέγξτε το στεγανωτικό περιβλήμα του ακροφυσίου για τυχόν ζημιές
11. Τοποθετήστε το ακροφύσιο στο πλαίσιο στήριξης και σφίξτε (9.1-12.4 n-m/80-110inch-pounds)
12. Τοποθετήστε το πλαίσιο επάνω στον θάλαμο καύσης
13. Επανατοποθετήστε τον σπυνθιριστή στο πλαίσιο στήριξης
14. Τοποθετήστε το καλώδιο του σπυνθιριστή
15. Τοποθετήστε τους αγωγούς αερός-καυσίμου
16. Τοποθετήστε την φτερωτή (βλ. σελ.13)

17. Τοποθετήστε τον προφυλακτήρα της φτερωτής και το επάνω κάλυμμα

(βλέπε σχήμα 23 σελίδα 3)

A. Θάλαμος καύσης, B. Testina di combustione, C. Cavo di alimentazione candela, D. Candela, E. Αγωγός καυσίμου, F. Αγωγός αέρα

(βλέπε σχήμα 24 σελίδα 3)

A. Μπροστινό μέρος του ακροφυσίου, B. Τσιμούχα κροφυσίου, C. Σύνδεση αγωγού καυσίμου, D. Σύνδεση αγωγού αέρα, E. Μετατροπέας ακροφυσίου, F. Ακροφύσιο

ΡΟΤΟΡΑΣ ΑΝΤΛΙΑΣ

(Διαδικασία για την περίπτωση εμπλοκής του ρότορα)

1. Αφαιρέστε το επάνω κάλυμμα (βλ. σελίδα 7)
2. Αφαιρέστε τις βίδες του καλύμματος του φίλτρου χρησιμοποιώντας κατσαβίδι για παξιμάδια 5/16".
3. Αφαιρέστε το κάλυμμα άκρου φίλτρου και τα φίλτρα αέρα.
4. Αφαιρέστε τις βίδες της πλάκας αντλίας χρησιμοποιώντας κατσαβίδι για παξιμάδια 5/16".
5. Αφαιρέστε την πλάκα της αντλίας.
6. Αφαιρέστε τον ρότορα, το ένθεμα και τις λεπίδες.
7. Ψάξτε για σωματίδια ακαθαρσίας στην αντλία. Σε περίπτωση που βρείτε σωματίδια ακαθαρσίας, φυσήξτε τα με πεπιεσμένο αέρα.
8. Εισάγετε το ένθεμα και τον ρότορα.
9. Ελέγξτε το κενό του ρότορα. Τροποποιήστε σε .076/ .101 mm εφόσον απαιτείται (βλ. σχήμα 25). Σημείωση: Περιστρέψτε το ρότορα κατά μία πλήρη στροφή για να βεβαιωθείτε ότι το κενό είναι .076/.101 mm ,όταν είναι πλήρως σφιγμένος. Ρυθμίστε εφόσον απαιτείται.
10. Εγκαταστήστε τις λεπίδες, την πλάκα αντλίας, τα φίλτρα αέρα και το καπάκι άκρου του φίλτρου.
11. Επανατοποθετήστε το προστατευτικό ανεμιστήρα και το επάνω κάλυμμα.
12. Ρυθμίστε την πίεση της αντλίας (βλ. σελίδα 8). Σημείωση: Εάν ο ρότορας συνεχίσει να παρουσιάζει εμπλοκή, συνεχίστε ως ακολούθως:
13. Ακολουθήστε τα παραπάνω βήματα 1 έως 6.
14. Τοποθετήστε ψιλό γυαλόχαρτο (600 grit) σε μια ομαλή επιφάνεια. Τρίψτε απαλά στο γυαλόχαρτο τον ρότορα με κινήσεις σε "οχτάρια" τέσσερις φορές (βλ. Σχήμα 26).
15. Εισάγετε πάλι το ένθεμα και τον ρότορα.
16. Ακολουθήστε τα παραπάνω βήματα 10 έως 12.

(βλέπε σχήμα 25, e 26 σελίδα 4)

A. Λεπίδα, B. Πλάκα αντλίας, C. Φίλτρο αέρα εισόδου, D. Κάτω κάλυμμα φίλτρου, E. Προστατευτικό ανεμιστήρα, F. Φίλτρο εξόδου έρα, G. Ρότορας, H. ένθεμα.

(βλέπε σχήμα 27 σελίδα 4)

A. Βίδα ρύθμισης διάκενου, B. 076/ . 101 mm Το διάκενο μετριέται με παχύμετρο, C. Λεπίδα

(βλέπε σχήμα 28 σελίδα 4)

A. Γυαλόχαρτο

ΑΝΕΜΙΣΤΗΡΑΣ

ΣΗΜΑΝΤΙΚΟ: Αφαιρέστε τον ανεμιστήρα από τον άξονα του μοτέρ πριν αφαιρέσετε το μοτέρ από τη θερμάστρα. Εάν το βάρος του μοτέρ σπληχθεί στον ανεμιστήρα υπάρχει περίπτωση να προκληθεί ζημιά στη γωνία περιστροφής του ανεμιστήρα.

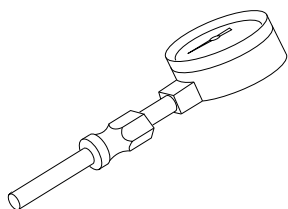
1. Αφαιρέστε το επάνω κάλυμμα (βλ. σελίδα 7)
2. Χρησιμοποιήστε κλειδί άλεν1/8", για να χαλαρώσετε την κανονιστική βίδα που συγκρατεί τον ανεμιστήρα στον άξονα του μοτέρ.
3. Σύρετε τον ανεμιστήρα εκτός του άξονα του μοτέρ.
4. Καθαρίστε τον ανεμιστήρα χρησιμοποιώντας ένα μαλακό πανί που να το έχετε υγράνει με κηροζίνη ή διαλυτικό.
5. Στεγνώστε προσεκτικά τον ανεμιστήρα.
6. Επανατοποθετήστε τον ανεμιστήρα στον άξονα του μοτέρ. Τοποθετήστε τον άξονα του ανεμιστήρα στο ίδιο επίπεδο με τον άξονα του μοτέρ (βλ. Σχήμα 28).
7. Τοποθετήστε την κανονιστική βίδα στο επίπεδο μέρος του άξονα. Σφίξτε καλά την κανονιστική βίδα 4,5 με 5,6 N-m.
8. Επανατοποθετήστε το προστατευτικό ανεμιστήρα και το επάνω κάλυμμα.

(βλέπε σχήμα 29, e 30 σελίδα 4)

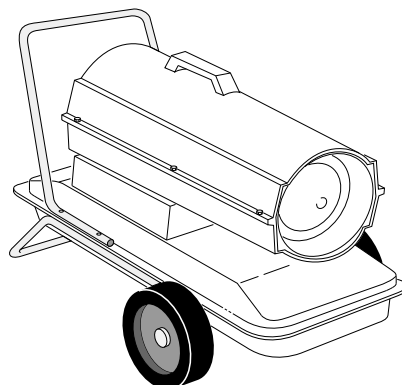
A. Ανεμιστήρας, B. Άξονας μοτέρ, C. Ρυθμίστε τη βίδα, D. Ξεπλύνετε.

ΕΞΑΡΤΗΜΑΤΑ

Αγοράζετε τα ανταλλακτικά από τον τοπικό σας αντιπρόσωπο.

**ΚΙΤ ΜΕΤΡΗΤΗ ΑΕΡΑ - 4109.427**

Για όλα τα μοντέλα. Ειδικό εργαλείο για τον έλεγχο της πίεσης αντλίας.

**ΚΙΤ ΤΡΟΧΩΝ ΕΠΑΓΓΕΛΜΑΤΙΚΗΣ ΧΡΗΣΗΣ
ΚΑΙ ΧΕΙΡΙΣΜΟΥ - 4103.925**

Για επαγγελματικές εφαρμογές. Κάνει τη θερμάστρα σας ακόμη πιο εύκολη στη μεταφορά και βολική. Για τα μοντέλα 10 και 20 kW.

ΣΤΟΙΧΕΙΑ ΕΓΓΥΗΣΗΣ**ΠΙΣΤΟΠΟΙΗΤΙΚΟ ΓΕΝΙΚΟΥ ΕΞΟΠΛΙΣΜΟΥ - ΠΕΡΙΟΡΙΣΜΕΝΗ ΕΓΓΥΗΣΗ ΓΙΑ ΕΝΑ ΕΤΟΣ**

Η DESA Italia εγγυάται ότι νέα Προϊόντα που πωλούνται δεν θα παρουσιάζουν ελαττώματα στα υλικά ή στην κατασκευή για τουλάχιστον ένα έτος από την ημερομηνία της παράδοσης στον πρώτο χρήστη και υπό τις ακόλουθες προϋποθέσεις:

Η υποχρέωση και ευθύνη της DESA Italia στα πλαίσια της παρούσας εγγύησης περιορίζεται στην επισκευή ή αντικατάσταση κατά την ευχέρεια της DESA Italia, τυχόν εξαρτημάτων που εμφανίζονται κατά την επιθεώρηση της DESA Italia να παρουσιάζουν ελαττώματα στο υλικό ή στην κατασκευή όταν μεταφέρθηκαν από το εργοστάσιο. Αυτά τα εξαρτήματα θα παρέχονται χωρίς χρέωση για τον χρήστη, στις εγκαταστάσεις οποιουδήποτε εξουσιοδοτημένου κέντρου σέρβις εργοστασίου ή από το εργοστάσιο κατά τις κανονικές ώρες λειτουργίας. Η Εγγύηση δεν θα αφορά μέρη ή εξαρτήματα προϊόντων που δεν κατασκευάζονται από την DESA Italia και τα οποία φέρουν την εγγύηση του κατασκευαστή τους, ή στην κανονική συντήρηση (όπως ρύθμιση πίεσης) ή σε μέρη κανονικής συντήρησης (λ.χ. φίλτρα και μπουζί). Η αντικατάσταση ή επισκευή μερών που έχουν εγκατασταθεί στο προϊόν και καλύπτονται από την παρούσα εγγύηση, εγγυάται μόνο για το υπόλοιπο της παρούσας εγγύησης ως αυτά τα εξαρτήματα να ήταν αρχικά μέρη του εν λόγω προϊόντος. Η DESA ITALIA ΔΕΝ ΠΑΡΕΧΕΙ ΚΑΜΙΑ ΑΛΛΗ ΕΓΓΥΗΣΗ. ΚΑΤΑ ΤΗΝ ΕΚΤΑΣΗ ΠΟΥ ΕΠΙΤΡΕΠΕΤΑΙ ΑΠΟ ΤΟ ΝΟΜΟ, Η DESA ITALIA ΔΕΝ ΠΑΡΕΧΕΙ ΚΑΜΙΑ ΥΠΟΝΟΟΥΜΕΝΗ ΕΓΓΥΗΣΗ ΚΑΙ ΔΕΝ ΠΑΡΕΧΕΙ ΕΓΓΥΗΣΗ ΕΜΠΟΡΕΥΣΙ ΜΟΤΗΤΑΣ ΚΑΙ ΚΑΤΑΛΛΗΛΟΤΗΤΑΣ ΓΙΑ ΣΥΓΚΕΚΡΙΜΕΝΟ ΣΚΟΠΟ. ΣΕ ΚΑΘΕ ΠΕΡΙΠΤΩΣΗ, ΟΙ ΥΠΟΝΟΟΥΜΕΝΕΣ ΕΓΓΥΗΣΗΣ ΣΥΜΠΕΡΙΛΑΜΒΑΝΟΜΕΝΩΝ

ΤΗΣ ΕΜΠΟΡΕΥΣΙΜΟΤΗΤΑΣ ΚΑΙ ΚΑΤΑΛΛΗΛΟΤΗΤΑΣ ΓΙΑ ΣΥΓΚΕΚΡΙΜΕΝΟ ΣΚΟΠΟ ΠΕΡΙΟΡΙΖΟΝΤΑΙ ΣΤΗ ΔΙΑΡΚΕΙΑ ΑΥΤΗΣ ΤΗΣ ΡΗΤΗΣ ΕΓΓΥΗΣΗΣ. Ο χρήστης θα φέρει τυχόν έξοδα μεταφοράς, έξοδα εγκατάστασης, δασμούς, φόρους και οποιαδήποτε άλλα έξοδα. Η ευθύνη της DESA Italia στα πλαίσια αυτής της περιορισμένης Εγγύησης δεν θα περιλαμβάνει τυχόν ευθύνη για άμεση, έμμεση, τυχασία ή παρεπόμενη ζημία ή καθυστέρηση. Εφόσον ζητηθεί από την DESA Italia, τα Προϊόντα ή μέρη για τα οποία υπάρχει αίτηση εγγύησης θα πρέπει να επιστρέφονται με προπληρωμένα έξοδα μεταφοράς στο εργοστάσιο. Τυχόν ακατάλληλη χρήση, συμπεριλαμβανομένης της χρήσης μετά την ανακάλυψη ελαττωματικών ή φθαρμένων εξαρτημάτων, λειτουργία πέρα από τη δυνατότητα, αλλαγή εξαρτημάτων χωρίς την έγκριση της DESA Italia, ή τυχόν τροποποίηση ή επισκευή από άλλους κατά τρόπο που σύμφωνα με την κρίση της DESA Italia επηρεάζει ουσιαστικά και αρνητικά το προϊόν θα ακυρώνει την παρούσα Εγγύηση.

ΚΑΝΕΝΑΣ ΥΠΑΛΛΗΛΟΣ Η ΑΝΤΙΠΡΟΣΩΠΟΣ ΔΕΝ ΕΧΕΙ ΤΗΝ ΑΡΜΟΔΙΟΤΗΤΑ ΝΑ ΑΛΛΑΞΕΙ ΤΗΝ ΠΑΡΟΥΣΑ ΕΓΓΥΗΣΗ ΚΑΤΑ ΟΠΟΙΟΔΗΠΟΤΕ ΤΡΟΠΟ Η ΟΠΟΙΟΔΗΠΟΤΕ ΑΛΛΗ ΕΓΓΥΗΣΗ ΕΚΤΟΣ ΕΑΝ Η ΑΛΛΑΓΗ ΑΥΤΗ ΕΓΙΝΕ ΓΡΑΠΤΩΣ ΜΕ ΥΠΟΓΡΑΦΗ ΑΠΟ ΑΝΩΤΕΡΟ ΥΠΑΛΛΗΛΟ ΤΗΣ DESA ITALIA ΣΤΗΝ ΕΔΡΑ ΤΗΣ ΕΤΑΙΡΕΙΑΣ.

ΥΠΗΡΕΣΙΕΣ ΕΠΙΣΚΕΥΗΣ ΣΤΑ ΠΛΑΙΣΙΑ ΤΗΣ ΕΓΓΥΗΣΗΣ

Να διευκρινίζετε πάντοτε το μοντέλο και τους αριθμούς σειράς όταν επικοινωνείτε με το εργοστάσιο. Επιφυλασσομένη του δικαιώματος να τροποποιήσουμε τις παρούσες προδιαγραφές κατά οποιοδήποτε χρόνο, δίχως προειδοποίηση. Η μόνη εγγύηση που ισχύει είναι η τυπική έγγραφη εγγύησή μας. Δεν παρέχουμε οποιαδήποτε άλλη εγγύηση, ρητή ή υπονοούμενη.

Διατίθεται Εγχειρίδιο Συντήρησης εφόσον απευθυνθείτε στο Τμήμα Τεχνικού Σέρβις στη διεύθυνση:

PORTATİF BASINÇLI HAVA ISITICILAR

KULLANICI KILAVUZU

ÖNEMLİ: Isıtıcıyı monte etmeden, çalıştırmadan ve bakımını yapmadan önce bu kılavuzu okuyun ve iyice anlayın. Isıtıcının düzgün kullanılmaması ciddi yaralanmalardan dolayı olabilir. Daha sonra başvurmak üzere bu kılavuzu saklayın.

GÜVENLİK BİLGİLERİ

UYARILAR

ÖNEMLİ Isıtıcıyı monte etmeden, çalıştırmadan ve bakımını yapmadan önce bu Kullanıcı Kılavuzunu dikkatle ve tamamen okuyun. Isıtıcının düzgün kullanılmaması yangınlar, yangın, patlama, elektrik şoku, elektrik çarpması ve karbon monoksit zehirlenmesi nedeniyle ciddi yaralanmalara ve ölüme neden olabilir.

TEHLİKE: Karbon monoksit zehirlenmesi ölüme yol açabilir!

Karbon Monoksit Zehirlenmesi: Karbon monoksit zehirlenmesinin ilk belirtileri gribe benzer; baş ağrısı, baş dönmesi ve mide bulantısı görülür. Bu belirtilerden şikayet etmiyorsanız, ısıtıcınız düzgün çalışmıyor olabilir. **Bir an önce aık havaya ıkın!**

Isıtıcınıza bakım yaptırın. Bazı kişiler, diğerlerine nazaran karbon monoksitten daha fazla etkilenir. Bu kişiler hamile kadınlar, kalp ya da akciğer hastalığı ya da anemi hastalığı olanlar, alkol etkisi altında olanlar ve yüksek rakımlarda bulunanlardır.

Tüm uyarıları okudunuzdan ve anladıktan emin olun. Daha sonra başvurmak üzere bu kılavuzu saklayın. Bu kılavuz, ısıtıcınızın güvenli ve düzgün çalıştırılması için bir rehberdir.

- Yangın ya da patlama riskinden kaçınmak için sadece kerosen ya da No.1 fuel-oil kullanın. Asla benzin, nafta, boya tinerleri, alkol ya da diğer yüksek derecede yanıcı yakıtları kullanmayın.
- Yakıt doldurma
 - a) Yakıt doldurma ile görevli personel kalifiye ve ısıtma birimlerine güvenli bir biçimde yakıt doldurulması konusundaki üretici talimatları ve geçerli federal ve yerel yönetmelikler hakkında tam bilgi sahibi olmalıdır.
 - b) Sadece ısıtıcının bilgi levhasında belirtilen yakıt tipi kullanılmalıdır.
 - c) Yakıt doldurulmadan önce, varsa pilot alev de dahil olmak üzere tüm alevler söndürülmeli ve ısıtıcı soğumaya bırakılmalıdır.
 - d) Yakıt doldurma sırasında, tüm yakıt boruları ve yakıt borusu bağlantıları sızıntı olmaması için kontrol edilmelidir. Herhangi bir sızıntı olması durumunda, ısıtıcıyı tekrar çalıştırmadan önce bu sızıntılar onarılmalıdır.
 - e) Hiç bir zaman, bina içerisinde ve ısıtıcının yakınında, ısıtıcının bir günlük ihtiyacından daha fazla yakıt depo edilmemelidir. Büyük miktardaki yakıtlar bina dışında depolanmalıdır.
 - f) Tüm yakıt depoları ısıtıcılardan, hamlelerden, kaynak aletlerinden ve benzer ateş kaynaklarından en az 8 m uzakta yer almalıdır (istisna: ısıtıcı birimi ile entegre olan yakıt haznesi).
 - g) Mümkün olduğunda tüm yakıt depoları, yakıtın daha alt katlardaki ateş kaynaklarının üzerine damlamasını ya da bu ateş kaynakları tarafından ateşlenmesini önleyecek zemine sahip

alanlarda toplanmalıdır.

- h) Yakıtlar, ilgili yönetmeliklere uygun olarak depolanmalıdır.
- Isıtıcıyı asla benzin, boya tineri ya da yüksek derecede yanıcı diğer buharların mevcut olduğu yerlerde kullanmayın.
- Isıtıcıyı asla benzin, boya tineri ya da yüksek derecede yanıcı diğer buharların mevcut olduğu yerlerde kullanmayın.
- Muşamba, branda ya da benzer örtü malzemelerinin yakınında kullanılan ısıtıcılar bu malzemelerden güvenli bir uzaklıkla yerleştirilmelidir. Önerilen asgari güvenli uzaklık 3 santimetredir. Ayrıca, söz konusu örtü malzemelerinin yanmayı geciktirici bir yapıya sahip olmaları önerilir. Bu örtü malzemeleri, tutuşmalarını ya da rüzgar etkisiyle ısıtıcıyı devirmelerini önlemek için yere sallam bir biçimde raptedilmelidir.
- Isıtıcıyı sadece iyi havalandırılan mekanlarda kullanın. Her 30 kW güç için en az 2800 santimetrekarelik (üç fit kare) taze dış hava girişi sağlanmalıdır.
- Isıtıcıyı sadece yanıcı buharlar ya da yüksek miktarda toz bulunmayan mekanlarda kullanın.
- Isıtıcıyı sadece model levhasında gösterilen elektrik gerilimi ve frekansında kullanın.
- Sadece üç uçlu, topraklanmış bir uzatma kablosu kullanın.
- Isıtıcının yanıcı maddelerden asgari uzaklığı: Çıkış: 2,5 m .st, Arka ve Yanlar: 1,3 m
- Isıtıcı sıcak ya da alışırdurumdayken sabit ve düz bir yüzeye yerleştirilmelidir, aksi halde yangın çıkabilir.
- Isıtıcı taşınırken ya da depolandığında düz bir konumda olmalıdır, aksi halde yakıt dökülebilir.
- Çocukları ve hayvanları ısıtıcıdan uzak tutun.
- Kullanılmadığı zamanlarda ısıtıcının fişini prizden çıkarın.
- Termostat ile kullanıldığında, ısıtıcı herhangi bir zamanda çalıştırılabilir.
- Isıtıcıyı asla oturma ya da uyuma alanlarında kullanmayın.
- Isıtıcının hava girişini (arka) ya da hava çıkışını (ön) asla kapatmayın.
- Sıcak, çalışır ya da fişe takılı durumda olan bir ısıtıcıyı asla hareket ettirmeyin, bu durumdaki ısıtıcılara asla yakıt doldurmayın ya da bakım yapmayın.
- Isıtıcının önüne ya da arkasına asla kablo kanalı monte etmeyin.
- Isıtıcıyı sadece yanıcı buharlar ya da yüksek miktarda toz bulunmayan mekanlarda kullanın.
- Isıtıcıyı sadece model levhasında gösterilen elektrik gerilimi ve frekansında kullanın.

ÜRÜN TANITIMI

(Şekil 1-2'ye bakın)

A. Sıcak Hava Çıkışı, **B.** Tutamak, **C.** Fan Muhafazası, **D.** Hava Filtresi Uç Kapağı, **E.** Yakıt Kapağı, **F.** Güç Kablosu, **G.** AÇIK/KAPALI Şalteri, **H.** Yan Kapak, **I.** F.Yakıt Tankı, **L.** Alt Muhafaza, **M.** Üst Muhafaza, **N.** Dış Alev Kontrolü Sıfırlama Düğmesi.

AMBALAJIN AÇILMASI

1. Isıtıcının sevk edilmesi için kullanılmış tüm paketlenme malzemelerini çıkarın.
2. Tüm parçaları kutudan çıkarın.
3. Parçalarda herhangi bir sevk hasarı olup olmadığını kontrol edin. Isıtıcı hasarlıysa, ısıtıcıyı satın aldığınız satıcıya hemen bilgi verin.

AMBALAJIN AÇILMASI

1. Isıtıcının sevk edilmesi için kullanılmış tüm paketleme malzemelerini çıkarın.
2. Tüm parçaları kutudan çıkarın.
3. Parçalarda herhangi bir sevkîyat hasarı olup olmadığını kontrol edin. Isıtıcı hasarlıysa, ısıtıcıyı satın aldığınız satıcıya hemen bilgi verin.

YAKITLAR

AVVERTENZA: Yangın ya da patlama riskinden kaçınmak için sadece kerosen ya da No.1 fuel-oil kullanın. Asla benzin, nafta, boya tinerleri, alkol ya da diğer yüksek derecede yanıcı yakıtları kullanmayın.

No.2 fuel-oil ya da No.2 dizel yakıtı gibi ağır yakıtları kullanmayın. Ağır yakıt kullanılması aşağıdaki sonu lara yol aabilir:

- yakıt filtresi ve nozülünün tıkanması
- bujide karbon oluşumu
- ok soğuk havalarda yakıtta zehirli olmayan buzlanma önleyici eklenmesi

ÖNEMLİ: SADECE KEROSEN konulan bir kap kullanın. depolama kabının temiz olduğundan emin olun. pas, kir ya da su gibi yabancı maddeler, dış alev kontrolünün ısıtıcıyı kapatmasına neden olur. Yabancı maddeler ayrıca yakıt sistemini sık sık temizlemenizi gerektirebilir.

MONTAJ

(Sadece 29 ve 44 kW Modelleri için)

Bu model, tekerlekler ve ön ve arka tutamaklar ile donatılmıştır. Tekerlekler, tutamaklar ve montaj donanımı sevkîyat kutusunun içindedir.

Gerekli aletler

- Orta Boy Yıldız Tornavida
- 3/8" Açık Ağızlı ya da Ayarlı Anahtar.
- Çekiç.

1. Aksı tekerlek destek şasisine geçirin. Tekerlekleri aksa takın. **ÖNEMLİ:** Tekerlekleri takarken, tekerleklerin genişletilmiş poyrasını tekerlek destek şasisine doğru çevirin (Şekil 3'e bakın).
2. Kapak somunlarını aksın uçlarına takın. Sıkıştırmak için çekiçle hafifçe vurun.
3. Isıtıcıyı tekerlek destek şasisinin üzerine oturtun. Isıtıcının hava girişinin ucunun (arka) tekerleklerin üzerinde olduğundan emin olun. Yakıt tankı flanşı üzerindeki delikler ile tekerlek destek şasisi üzerindeki delikleri aynı izaya getirin.
4. Ön tutamak ve arka tutamağı yakıt tankı flanşının üzerine oturtun. Vidaları tutamaklardan, yakıt tankı flanşından ve tekerlek destek şasisinden geçirin. Her bir vidayı geçirdikten sonra somunu elinizle sıkın.
5. Tüm vidaları geçirdikten sonra, somunları iyice sıkın.

(Şekil 3'ye bakın)

A. Ön Tutamak, **B.** Arka Tutamak, **C.** Genişletilmiş Poyra, **D.** Aks, **E.** Somun, **F.** Kapak Somunu, **G.** Tekerlek, **H.** Arka Tutamak, **I.** Tekerlek Destek Şasisi, **L.** Yakıt Tankı Flanş, **M.** Sıcak Hava Çıkışı, **N.** Vida.

HAVALANDIRMA

Taze dış hava ile havalandırma konusundaki asgari gerekliliklere uyun.

Taze dış hava ile yeterli havalandırma ağılanmaması durumunda karbon monoksit ehirlenmesi meydana gelebilir. Isıtıcıyı çalıştırmadan önce taze dış hava ile yeterli havalandırma sağlayın.

Her 29 kW güç i en en az üç fit karelik (2800 santimetrekare) bir taze hava girişi sağlayın. Birden fazla ısıtıcı kullanılması durumunda daha fazla taze hava sağlayın.

Örnek: 44 kW güce sahip bir ısıtıcı aşağıdakileri gerektirir:

- iki araç genişliğindeki bir garaj kapısının 15 cm kaldırılması
- tek araç genişliğindeki bir garaj kapısının 23 cm kaldırılması
- iki adet 76 cm genişliğindeki pencerenin 31 cm kaldırılması

ÇALIŞMA TEORİSİ

Yakıt Sistemi: Hava pompası, hava borusundan havayı gönderir. Hava daha sonra yakıcı kafası nozülünden itilir. Bu hava, yakıtın tanktan alınmasını sağlar. Ünce bir yakıt buharı yanma bölmesine püskürtülür.

Hava Sistemi: Motor fanı evirir. Fan havayı yanma bölmesinin i ine ve etrafına doğru iter. Bu hava ısıtılır ve temiz, sıcak bir hava akımı sağlanır.

Ateşleme Sistemi: Elektronik ateşleyici akımı bujiye gönderir. Buji, yakıt ve hava karışımını ateşler.

Dış Alev Kontrol Sistemi: Bu sistem, alevin dışarı çıkması halinde ısıtıcıyı kapatır.

(Şekil 4'ye bakın)

A. Temiz Isıtılmış Hava Çıkışı, **B.** Yanma Bölmesi, **C.** Buji **D.** Yakıcı Kafası, **E.** Fan, **F.** Motor, **G.** Hava Pompası, **H.** Giriş Hava Filtresi, **I.** Soğuk Hava, **L.** Çıkış Hava Filtresi, **M.** Elektronik Ateşleyici, **N.** Yakıcıya Giden Hava, **O.** Yakıt Filtresi, **P.** Nozül, **Q.** Yakıt Tankı, **R.** Yakıt Sistemi için Hava, **S.** Yanma ve Isıtma için Hava, **T.** Yakıt.

ÇALIŞTIRMA

Güvenlik Bilgileri Bölümündeki tüm uyarıları inceleyin ve iyice anlayın.

Bu uyarılar, ısıtıcıyı güvenli bir biçimde çalıştırmak için gereklidir.

Isıtıcıyı kullanırken ilgili tüm yerel yasalara uyun.

ISITICIYI ÇALIŞTIRMAK İÇİN

1. Tüm havalandırma ve güvenlik bilgilerine uyun.
2. Yakıt tankını kerosen ya da No. 1 fuel-oil ile doldurun.
3. Yakıt kapağını takın.
4. Güç kablosunu standart bir 230 volt / 50 Hertz topraklı prize takın. Gerekirse bir uzatma kablosu kullanın. Sadece üç uçlu, topraklanmış bir uzatma kablosu kullanın.

Uzatma Kablosu Tel Kesiti Gereklilikleri

30.5 metre uzunluğa kadar, 1.0 mm² (16 AWG) iletken kullanın
30.6 ila 61 metre uzunluk için, 1.5 mm² (14 AWG) iletken kullanın
ON/OFF (AÇIK/KAPALI) şalterini ON (A.İK) konumuna getirin, ısıtıcı çalışacaktır.

Isıtıcı çalışmazsa, dış alev kontrol. sıfırlama düğmesine basın (Şekil 5 ve 6'ya bakın).

ISITICIYI DURDURMAK İÇİN

1. ON/OFF (AÇIK/KAPALI) şalterini OFF (KAPALI) konumuna getirin

ISITICIYI TEKRAR ÇALIŞTIRMAK İÇİN

1. Isıtıcıyı durdurduktan sonra 2 dakika bekleyin.
2. Sayfa 7'deki "Isıtıcıyı Çalıştırmak için" başlığı altındaki adımları tekrar edin.

(Şekil 3'ye bakın)

A. Dış Alev Kontrolü Sıfırlama Düğmesi, **B.** ON/OFF (AÇIK/KAPALI) SALTERİ.

DEPOLAMA, NAKİL YA DA SEVKİYAT

Not: Nakliyat ya da sevkîyat şirketleri yakıt tanklarını boş olmasını istiyorsa.

1. Tüm yakıt tankını boşaltın.

Not: Bazı modellerde, yakıt tankının alt kısmında tahliye tapası vardır. Eğer varsa, tüm yakıtı boşaltmak için tahliye tapasını çıkarın. Isıtıcının tahliye tapası yoksa, yakıt başlığı

- açıklığı yoluyla yakıtı boşaltın.
2. Tüm yakıtın boşaltıldığından emin olun.
 3. Eski yakıt i erisinde herhangi bir pislik olduğu belirlenirse, tanka 1 ya da 2 litre kerosen ekleyin, karıştırın ve tekrar boşaltın. Bu işlem, aşırı miktardaki pislğin ilerideki kullanımlar sırasında filtreleri tıkamasını önleyecektir.
 4. Yakıt kapağını ve tahliye vanasını çıkarın. Eski ve kirli yakıtı düzgün bir bi imde uzaklaştırın. Bölgenizde yağ değişimi

- yapan otomotiv servislerinden yardım alabilirsiniz.
5. Isıtıcıyı depolamanız gerekirse, kuru bir yerde saklayın. Depolama yerinde toz ve aşındırıcı buharlar bulunmadığından emin olun.
- ÖNEMLİ: Bir sonraki ısıtma mevsiminde kullanılmak üzere yaz ayları s.resince kerosen depolamayın. Eski yakıt kullanılması ısıtıcıya zarar verebilir.

KORUYUCU BAKIM ÇİZELGESİ

UYARI: Asla prize takılıken, çalışırken ya da sıcakken ısıtıcıya bakım yapmayın. Ciddi yanıklar ve elektrik şoklarına maruz kalabilirsiniz.

Parça	Ne Kadar Sık	Nasıl
Yakıt tankı	Her 150-200 çalışma saatinde bir ya da gerektiğinde temizleyin.	Yukarıdaki Depolama,Nakil ya da sevkiyat bölümüne bakın.
Hava ıkışı ve keten filtreler	Her 500 çalışma saatinde bir ya da yılda bir kez değiştirin.	Sayfa 14'teki Hava .ıkışı, Hava Girişi ve Keten Filtreler bölümüne bakın.
Hava girişi filtresi	Her 500 çalışma saatinde bir ya da gerektiğinde sabun ve suyla yıkayın ve kurutun.	Sayfa 14'teki Hava .ıkışı, Hava Girişi ve Keten Filtreler bölümüne bakın.
Yakıt filtresi	Bir ısıtma mevsiminde iki kez ya da gerektiğinde temizleyin.	Sayfa 11'deki Yakıt Filtresi bölümüne bakın.
Buji	Her 600 çalışma saatinde bir temizleyin ve boşluğunu ayarlayın ya da gerektiğinde değiştirin.	Sayfa 12 ve 13'teki Buji Sayfa 12 ve 13'teki Buji
Fan bı akları	Her mevsimde bir ya da gerektiğinde temizleyin.	Sayfa 18'deki Fan bölümüne bakın.
Motor	Gerekli değil/kalıcı olarak yağlanmış.	

ARIZA TESBITİ

UYARI: Asla prize takılıken, çalışırken ya da sıcakken ısıtıcıya bakım yapmayın. Ciddi yanıklar ve elektrik şoklarına maruz kalabilirsiniz.

GÖZLEMLenen ARIZA	OLASI NEDEN	ÇARE
Isıtıcı ateşleniyor ama kısa bir süre sonra dış alev kontrolü ısıtıcıyı kapatıyor	<ol style="list-style-type: none">1. Pompa basıncı yanlış2. Hava girişi, hava çıkışı ya da keten filtreler kirl3. Yakıt filtresi kirl4. Nozül kirl5. Fotosel lensi kirl6. Dış alev kontrolü kirl	<ol style="list-style-type: none">1. Sayfa 14'teki Pompa Basıncı Ayarı bölümüne bakın.2. Hava Girişi ve Keten Filtreler bölümüne bakın.3. Sayfa 11'deki Yakıt Filtresi bölümüne bakın.4. Sayfa 15 ve 16'daki Nozül bölümüne bakın.5. Fotosel lensini temizleyin.6. Dış alev kontrolünü değiştirin.
Isıtıcı ateşlenmiyor ama motor kısa süre çalışıyor. Ayarı bölümüne bakın. bir süre çalışıyor.	<ol style="list-style-type: none">1. Pompa basıncı yanlış2. Bujide karbon birikmesi var ya da buji aralığı düzgün değil3. Yakıt filtresi kirl4. Nozül kirl5. Yakıt tankında su var	<ol style="list-style-type: none">1. Sayfa 14'teki Pompa Basıncı2. Sayfa 12 ve 13'teki Buji bölümüne bakın.3. Sayfa 11'deki Yakıt Filtresi bölümüne bakın.4. Sayfa 15 ve 16'daki Nozül bölümüne bakın.5. Yakıt tankını boşaltın ve temiz kerosen ile yıkayın. Sayfa 8'deki Depolama,Nakil ya da sevkiyat bölümüne bakın.
	<ol style="list-style-type: none">6. Elektronik ateşleyici topraklanmamış7. Bozuk elektronik ateşleyici	<ol style="list-style-type: none">6. Elektronik ateşleyicinin sıkıca monte edildiğinden emin olun.7. Elektronik ateşleyiciyi değiştirin.
Isıtıcı prize takıldığında motor çalışmıyor, fan yavaş dönüyor ya da hi dönmüyor.	<ol style="list-style-type: none">1. Dış alev kontrolü sıfırlanmamış2. Pompa rotoru sıkışmış	<ol style="list-style-type: none">1. Dış alev kontrolü düğmesini sıfırlayın, sayfa 7'deki Şekil 5 ve 6'ya bakın.2. Fan zor dönüyorsa, sayfa 17'deki bölümüne bakın.

UYARI: Y.ksek gerilim!

SERVİS PROSEDÜRLERİ

UYARI: Asla prize takılıyken, çalışırken ya da sıcakken ısıtıcıya bakım yapmayın. Ciddi yanıklar ve elektrik şoklarına maruz kalabilirsiniz.

ÜST MUHAFAZANIN ÇIKARILMASI

1. 5/16" somun anahtarı kullanarak ısıtıcının iki tarafındaki ve üst kısmındaki vidaları ve tespit rondelalarını çıkarın. Bu vidalar, üst ve alt muhafazaları birbirlerine bağlar.
2. Üst muhafazayı çıkarın.
3. Fan muhafazasını çıkarın.

YAKIT FİLTRESİ**(10/20 kW Modelleri)**

1. CH 8 somun anahtarı kullanarak yan kapak vidalarını ıkarın.
2. Yan kapağı ıkarın.
3. Plastik yakıt borusunu yakıt filtresinin boynundan ıkarın.
4. Rakoru ve yakıt filtresini dikkatle kaldırarak yakıt tankından ıkarın.
5. yakıt filtresini temiz yakıt ile yıkayın ve tekrar tanka takın.
6. Plastik yakıt borusunu yakıt filtresinin boynuna takın.
7. Yan kapağı takın.

YAKIT FİLTRESİ**(29/44 kW Modelleri)**

1. CH 8 somun anahtarı kullanarak yan kapak vidalarını ıkarın.
2. Yan kapağı çıkarın.
3. Üst yakıt borusunu yakıt filtresinin boynundan çıkarın.
4. Rakoru, alt yakıt borusunu ve yakıt filtresini dikkatle kaldırarak yakıt tankından çıkarın.
5. Yakıt filtresini temiz yakıt ile yıkayın ve tekrar tanka takın.
6. Üst yakıt borusunu yakıt filtresinin boynuna takın.
7. Yan kapağı takın.

(Sekil 7-8'ye bakın)

A. Üst muhafaza, **B.** Fan muhafazası

(Sekil 9'ye bakın)

A. Yakıt Filtresi, **B.** Yan Kapak, **C.** Yakıt Borusu

(Sekil 10'ye bakın)

A. Yakıt Filtresi, Rakor ve Alt Yakıt Borusu, **B.** Üst Yakıt Borusu, **C.** Yan Kapak

BUJİ 10 kW

1. Üst muhafazayı çıkarın (sayfa 10'a bakın).
2. Fanı çıkarın (sayfa 18'e bakın).
3. Yakıt ve hava hattı hortumlarını nozül tertibatından çıkarın.
4. Buji kablosunu bujiden çıkarın.
5. CH 8 somun anahtarını kullanarak iki vidayı sökün ve yakıcı bileziğini çıkarın.
6. Bujinin altıgen gövdesini mengeneyle yerleştirin ve sıkın.
7. CH8 a ık ağızlı anahtar kullanarak buji montaj tertibatını sökün.
8. Yakıcı bileziğini bujiden ıkarın.
9. Buji elektrotlarını temizleyin ve buji aralığını 1.4 mm olarak ayarlayın.
10. Yakıcı bileziğini bujiye tekrar takın. Buji elektrotlarını yerleştirmek için yakıcı bileziğini döndürün (Şekil 13'e bakın).
11. Buji montaj somunu ile bujiyi sıkın.
12. Bujinin altıgen gövdesini mengeneden sökün.
13. Yakıcı bileziğini yanma bölümünün üzerine yerleştirin.
14. Buji kablosunu bujiye takın.
15. Yakıt ve hava hattı hortumlarını nozül tertibatına takın.
16. Fanı takın (sayfa 18'e bakın).
17. Fan muhafazasını ve üst muhafazayı takın.

(Sekil 11'ye bakın)

A. Yanma Bölmesi, **B.** Buji Montaj Somunu, **C.** Yakıcı Bileziği, **D.** Buji, **E.** Buji Kablosu, **F.** Nozül Tertibatı, **G.** Yakıt Hattı Hortumu, **H.** Hava Hattı Hortumu

(Sekil 12'ye bakın)

A. Aralığı Ayarlamak için Buradan Bükün

(Sekil 13'ye bakın)

A. Yakıcı Bileziği

BUJİ 20/29/44 kW Modelleri

1. Üst muhafazayı çıkarın (sayfa 10'a bakın).
2. Fanı çıkarın (sayfa 18'e bakın).
3. Buji kablosunu bujiden çıkarın.
4. CH21 açık ağızlı anahtar kullanarak bujiyi yakıcı kafasından çıkarın.
5. Buji elektrotlarını temizleyin ve buji aralığını aşağıdaki biçimde ayarlayın:
20/29 kW Modelleri: 1.9 mm aralık.
44 kW Modelleri: 2.8 mm aralık.
6. Bujiyi yakıcı kafasına takın.
7. Buji kablosunu bujiye takın.
8. Fanı takın (sayfa 18'e bakın).
9. Fan muhafazasını ve üst muhafazayı takın.

(Sekil 14'ye bakın)

A. Yakıcı Kafası, **B.** Buji Kablosu, **C.** Buji

(Sekil 15'ye bakın)

A. Aralığı Ayarlamak için Buradan Bükün, **B.** Aralık

HAVA ÇIKIŞI, HAVA GİRİŞİ VE KETEN FİLTRELER

1. Üst muhafazayı ıkarın (sayfa 10'a bakın).
2. CH 8 somun anahtarı kullanarak filtre u kapak vidalarını sökün.
3. Filtre uç kapağını ıkarın.
4. Hava girişi filtresini ve keten filtreyi değiştirin.
5. Hava girişi filtresini yıkayın ya da değiştirin (sayfa 8'deki Koruyucu Bakım Çizelgesi'ne bakın).
6. Filtre u kapağını takın.
7. Fan muhafazasını ve üst muhafazayı takın.

ÖNEMLİ: Filtreleri yağlamayın.

POMPA BASINCI AYARI

1. Basın göstergesini sökün.
2. Aksesuar basınç göstergesini takın (par a numarası 4109.427).
3. Isıtıcıyı çalıştırın (sayfa 7'deki Çalıştırma bölümüne bakın). Motoru tam hızına ıkmasını sağlayın.
4. Basıncı ayarlayın. Basıncı artırmak için desarj valfini sağa evirin. Basıncı düşürmek için desarj valfini sola çevirin. Her bir modelin doğru basıncını bulmak için sağ taraftaki özelliklere bakın.
5. Basınç göstergesini çıkarın. Basınç göstergesi tapasını filtre u kapağına takın.

(Sekil 16-17'ye bakın)

A. Hava Girişi Filtresi, **B.** Filtre U Kapağı, **C.** Fan Muhafazası, **D.** Hava Çıkışı, Filtresi, **E.** Keten Filtre.

Modelli	Pompa Basıncı (Bar/PSI)
10 kW	0,207 / 3
20 kW	0,365 / 5,3
29 kW	0,275 / 4
44 kW	0,337 / 4,9

(Sekil 18'ye bakın)

A. Basın Göstergesi Tapası, **B.** Deşarj Valfi

(Sekil 19'ye bakın)

A. Basınç Göstergesi

NOZÜL 10 kW

1. Üst muhafazayı ıkarın (sayfa 7-8 a bakın).
2. Fanı çıkarın (sayfa 27 e bakın).
3. Yakıt ve hava hattı hortumlarını nozül tertibatından ıkarın.
4. Nozül tertibatını 1/4 tur sola doğru çevirin ve çıkması için motora doğru çekin.
5. Plastik altıgen gövdeyi mengeneyle yerleştirin ve hafifçe sıkın.
6. CH 16 lokma anahtar kullanarak nozülü dikkatle nozül adaptöründen ıkarın.
7. Nozülün ön kısmına (yüzüne) basın lı hava sıkın. Bu işlem, nozüldeki kirlerin temizlenmesini sağlayacaktır.
8. Nozül contasının zarar görüp görmediğini kontrol edin.
9. Nozülü nozül adaptörüne yerine tam oturacak biçimde takın. CH 16 lokma anahtar kullanarak 1/3 tur sıkın (4.5-5.1 n-m). (sayfa 21)
10. Nozül tertibatını yakıcı bileziğine bağlayın.
11. Yakıt ve hava hattı hortumlarını nozül tertibatına bağlayın.
12. Fanı takın (sayfa 27-28 e bakın).
13. Fan muhafazasını ve üst muhafazayı takın.

(Sekil 20-21'ye bakın)

A. Yanma Bölmesi, **B.** Yakıcı Bileziği, **C.** Nozül Tertibatı, **D.** Yakıt Hattı Hortumu, **E.** Hava Hattı, Hortumu

(Sekil 22'ye bakın)

A. Nozülün Ön Kısmı (Yüzü), **B.** Nozül Contası, **C.** Yakıt Hattı Bağlantı Parçası, **D.** Hava Hattı Bağlantı Parçası, **E.** Nozül Adaptör, **F.** Nozül

NOZÜL 20, 29 e 44 kW

1. Üst muhafazayı ıkarın (sayfa 7-8 a bakın).
2. Fanı çıkarın (sayfa 27 e bakın).
3. Yakıt ve hava hattı hortumlarını yakıcı kafasından çıkarın.
4. Buji kablosunu bujiden çıkarın.
5. CH 21 açık ağızlı anahtar kullanarak bujiyi yakıcı kafasından çıkarın.
6. CH 21 somun anahtarı kullanarak üç vidayı sökün ve yakıcı kafasını yanma bölgesinden çıkarın.
7. yakıcı kafasını mengeneyle yerleştirin ve hafifçe sıkın.
8. CH 21 lokma anahtar kullanarak nozülü dikkatle yakıcı kafasından çıkarın (Şekil 24'e bakın).
9. Nozülün ön kısmına (yüzüne) basın lı hava sıkın. Bu işlem, nozüldeki kirlerin temizlenmesini sağlayacaktır.
10. Nozül contasının zarar görüp görmediğini kontrol edin.
11. Nozülü yakıcı kafasına takın ve iyice sıkın (9.1- 12.4 n-m).
12. Yakıcı kafasını yanma bölgesine takın.
13. Bujiyi yakıcı kafasına monte edin.
14. Buji kablosunu bujiye takın.
15. Yakıt ve hava hattı hortumlarını yakıcı kafasına takın.
16. Fanı takın (sayfa 18'e bakın).
17. Fan muhafazasını ve üst muhafazayı takın.

(Sekil 23'ye bakın)

A. Yanma Bölmesi, **B.** Yakıcı Kafası, **C.** Buji Kablosu, **D.** Buji **E.** Yakıt Hattı Hortumu, **F.** Hava Hattı Hortumu, **G.** Vida

(Sekil 24'ye bakın)

A. Nozülün Ön, Kısmı (Yüzö), **B.** Nozül Contası, **C.** Yakıt Hattı Bağlantı Parçası, **D.** Hava Hattı Bağlantı Parçası, **E.** Yakıcı Kafası, **F.** Nozül

Pompa Rotoru**(Rotor sıkışmışsa izlenecek prosedür)**

1. Üst muhafazayı çıkarın (sayfa 7-8 a bakın).
2. CH 8 somun anahtarı kullanarak filtre uç kapak vidalarını sökün.
3. CH 8 somun anahtarı kullanarak pompa levhası vidalarını sökün.
4. CH 8 somun anahtarı kullanarak pompa levhası vidalarını sökün.
5. Pompa levhasını sökün.
6. Rotor, ara parça ve bıçakları sökün.
7. Pompada pislik olup olmadığını kontrol edin. varsa, basın lı hava ile temizleyin.
8. Ara par ayı ve rotoru monte edin.
9. Rotor üzerindeki aralığı kontrol edin. Gerekiyorsa, aralığı .076/ .101 mm olarak ayarlayın (Şekil 27'ye bakın). Not: Aralığın en sıkı konumda .076/.101 mm olduğundan emin olmak i in rotoru bir tam tur döndürün. Gerekiyorsa ayarlayın.
10. Bıçakları, pompa levhasını hava filtrelerini ve filtre u kapağını monte edin.
11. Fan muhafazasını ve üst muhafazayı takın.
12. Pompa basıncını ayarlayın (sayfa 14'e bakın). Not: Rotor hala sıkışıkta, aşağıdaki işlemleri uygulayın.
13. Yukarıdaki 1 ila 6 arasındaki adımları uygulayın.
14. Düz bir yüzey üzerine ince bir zımpara (600 granulometri) yerleştirin. Şekil 28'de gösterilen hareketi 4 kez tekrarlayarak rotoru hafif e zımparalayın (Şekil 28'e bakın).
15. Ara par ayı ve rotoru yeniden monte edin.
16. Yukarıdaki 10 ila 12 arasındaki adımları uygulayın.

(Sekil 25-26'ye bakın)

A. Bıçak, **B.** Pompa Levhası, **C.** Hava Girişi Filtresi, **D.** Filtre Uç Kapağı, **E.** Fan Muhafazası, **F.** Hava Çıkışı Filtresi, **G.** Rotor, **H.** Ara Parça.

(Sekil 27'ye bakın)

A. Aralık Ayarlama Vidası, **B.** Sentil (Kalınlık Masdarı) ile Ölçülen .076/.101 mm, **C.** Bıçak

(Sekil 28'ye bakın)

A. Zımpara

Fan

ÖNEMLİ: Motoru ısıtıcıdan sökmeden önce fanı motor şaftından sökün. Motorun ağırlığının fanın üzerine binmesi fanın ayarını bozabilir.

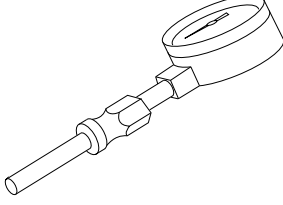
1. Üst muhafazayı ıkarın (sayfa 7-8 a bakın).
2. CH 2,5 alyen anahtar kullanarak fanı motor şaftına bağlayan tespit vidasını sökün.
3. Fanı motor şaftından ıkarın.
4. Kerosen ya da solvent ile nemlendirilmiş yumuşak bir bez kullanarak fanı temizleyin.
5. Fanı tamamen kurutun.
6. Fanı motor şaftına takın. Fan göbek vidasını motor şaftının ucuna takın (Şekil 28'a bakın).
7. Tespit vidasını safta takın ve iyice sıkın (4.5-5.6 n-m).
8. Fan muhafazasını ve üst muhafazayı takın.

(Sekil 29-30'ye bakın)

A. Fan, **B.** Motor Şaftı, **C.** Tespit Vidası, **D.** Göbek Vidası

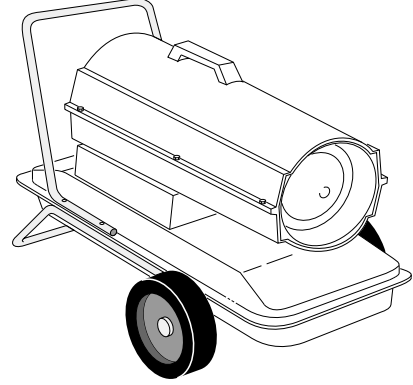
AKSESUARLAR

Aksesuarları yerel satıcınızdan satın alın.



HAVA ÖLÇÜM KİTİ – 4109.427

Tüm modeller için. Pompa basıncını ölçmek için özel alet.



AGIR HİZMET TİPİ TEKERLEK VE TUTAMAK KİTİ – 4103.925

Agır hizmet tipi uygulamalar için. Isıtıcınızı daha portatif ve uygun kılar. 10/20 kW modelleri için.

GARANTİ VE ONARIM HİZMETLERİ

GENEL EKİPMAN BELGESİ - 365 GÜNLÜK SINIRLI GARANTİ

DESA Italia şirketi, tarafından satılan yeni ürünleri aşağıdaki şartlara tabi olarak, ilk kullanıcıya teslim tarihinden itibaren doksan gün süreyle malzeme ve işçilik hatalarına karşı garanti eder:

DESA Italia şirketinin işbu garanti altındaki yükümlülüğü, sadece fabrikadan sevk edildiğinde malzeme ya da işçilik hatası taşıdıkları DESA Italia şirketi tarafından incelenerek tespit edilen parçaların DESA Italia şirketinin se imine bağlı olarak onarılması ya da değiştirilmesi ile sınırlıdır. Söz konusu parçalar, fabrika tarafından yetkilendirilen herhangi bir servis merkezinin ya da fabrikanın is yerlerinde normal çalışma saatleri dahilinde kullanıcıya herhangi bir maliyet çıkarılmadan temin edilecektir. Bu Garanti, ürünlerin DESA Italia şirketi tarafından üretilmeyen ve ilgili üreticinin garantisini taşıyan bileşen parçaları ve aksesuarları ile normal bakım işlemleri (basınç ayarlamaları gibi) ve normal bakım parçaları (filtreler ve bujiler gibi) i in geçerli değildir. Ürünün işbu Garanti kapsamında değiştirilen ya da onarılan parçaları, adı ge en ürünün orijinal parçaları gibi sadece Garantinin geri kalan süresi için garanti altındadır.

DESA ITALIA ŞİRKETİ BAŞKA HERHANGİ BİR KATÖİ GARANTİ VERMEMEKTEDİR. YASALARIN İZİN VERDİĞİ KAPSAM DAHİLİNDE, DESA ITALIA ŞİRKETİ HERHANGİBİR ZİMNİ GARANTİ YA DA SATILABİLİRLİK YA DA BELİRLİ HERHANGİ BİR AMACA UYGUNLUK GARANTİSİ VERMEMEKTEDİR. HER HAL.KARDA, SATILABİLİRLİK YA DA BELİRLİ HERHANGİ BİR

AMACA UYGUNLUK GARANTİLERİ DAHİL OLMAK ÜZERE ZİMNİ GARANTİLER İŞBU KAT'İ GARANTİNİN SÜRESİ İLE SINIRLIDIR.

Tüm nakliyat masrafları, montaj masrafları, harçlar, vergiler ve diğer tüm masraflar kullanıcı tarafından karşılanacaktır. DESA Italia şirketinin işbu sınırlı Garanti altındaki sorumluluğu doğrudan, dolaylı, arıza ya da sonuç hasar ya da gecikme için herhangi yükümlülük içermez. DESA Italia şirketi tarafından talep edilmesi halinde, garanti ile ilgili bir talepte bulunulan ürünler ya da parçalar nakliye ücreti kullanıcı tarafından önceden ödenerek fabrikaya gönderilecektir. Arızalı ya da aşınmış parçaların tespit edilmesinden sonra ürünün kullanılmaya devam edilmesi, kapasitenin üzerinde çalıştırma, DESA Italia şirketi tarafından onaylanmayan parçaların kullanılması dahil olmak üzere tüm yanlış kullanımlar ya da diğer şahıslar tarafından yapılan ve DESA Italia şirketinin takdirine göre ürünü madden ve ters olarak etkilediği tespit olunan tüm değişiklikler ve onarımlar işbu Garantiyi geçersiz kılacaktır.

SÖZ KONUSU DEĞİŞİKLİK YAZILI OLARAK YAPILMADIKÇA VE DESA ITALIA ŞİRKETİNİN NA FİSİNDEKİ BİR YETKİLİ TARAFINDAN İMZALANMADIKÇA, HİÇ BİR ÇALIŞAN YA DA TEMSİLCİ BU GARANTİYİ DEĞİŞTİRMEYE YA DA BAŞKA BİR GARANTİ VERMEYE YETKİLİ DEÜLDİR.

GARANTİ HİZMETİ

Fabrika ile haberleşirken daima model numarasını ve seri numaralarını belirtiniz.

Herhangi bir zamanda, bildirimde bulunmaksızın bu özellikleri değiştirme hakkımız saklıdır. Geçerli yegane Garanti, standart yazılı Garantimizdir. Kat'İ ya da zimni başka herhangi bir garanti vermemekteyiz.

Aşağıdaki adreste mukim Teknik Servis Bölümü'ne yazarak bir Servis Kılavuzu alabilirsiniz:

PRENOSNÉ TEPLOVZDUŠNÉ OHRIEVAČE VZDUCHU

DÔLEŽITÉ UPOZORNENIE! Odporúčame dôkladne a s porozumením si prečítať tento návod na obsluhu skôr ako pristúpite k montáži a uvedeniu do prevádzky ohrievača alebo k jeho opravám. Nesprávne použitie ohrievača môže spôsobiť vážne úrazy a dokonca aj smrť v dôsledku popálenia, požiaru, výbuchu, zasiahnutia elektrickým prúdom alebo otrávenia oxidom uhoľnatým.

BEZPEČNOSŤ OBSLUHY

UPOZORNENIE!

DÔLEŽITÉ UPOZORNENIE! Odporúčame dôkladne a s porozumením si prečítať tento návod na obsluhu skôr ako pristúpite k montáži a uvedeniu do prevádzky ohrievača alebo k jeho opravám. Nesprávne použitie ohrievača môže spôsobiť vážne úrazy a dokonca aj smrť v dôsledku popálenia, požiaru, výbuchu, zasiahnutia elektrickým prúdom alebo otrávenia oxidom uhoľnatým.

VÝSTRAHA!

Otrava oxidom uhoľnatým môže byť smrteľná!

Otrava oxidom uhoľnatým: Prvé príznaky otravy oxidom uhoľnatým pripomínajú chrípku s bolesťami hlavy, nevoľnosťou a napínaním na zvracanie. Pokiaľ sa objavujú vyššie uvedené príznaky, je opodstatnené podozrenie, že ohrievač pracuje nesprávne.

Okamžite vyvetrajte čerstvým vzduchom! Ohrievač musí byť okamžite opravený. Niektoré osoby sú viac náchylné na otravu oxidom uhoľnatým, napríklad tehotné ženy, osoby trpiace chorobami srdca, pľúc alebo anémiou, osoby pod vplyvom alkoholu alebo ľudia žijúci vo väčších nadmorských výškach.

Nevyhnutné je prečítať si a porozumieť všetky upozornenia uvedené v tomto návode a uchovať ich pre použitie v budúcnosti. Tento návod na obsluhu je príručkou bezpečného a správneho používania ohrievača.

- Používajte len motorovú naftu alebo ľahký vykurovací olej č.1, predídete riziku požiaru alebo výbuchu. V žiadnom prípade nepoužívajte benzín, iné ropné produkty, syntetické rozpúšťadlá, alkohol alebo iné vysoko horľavé palivá.
- Dopĺňanie paliva:
 - a) Osoby zaoberajúce sa dopĺňaním paliva do ohrievača musia byť zaškolené a podrobne oboznámené s pokynmi výrobcu a tiež všeobecnými zásadami bezpečného dopĺňania paliva do vykurovacích zariadení.
 - b) Dovoľené je používať výlučne palivo uvedené v menovitej tabuľke ohrievača.
 - c) Pred dopĺňaním paliva musí byť uhasený oheň každého druhu vrátane kontrolného plynového plameňa a ohrievač sa musí nechať vychladnúť.
 - d) Počas dopĺňania paliva sledujte všetky palivové príruby a prípojky prívodu paliva s ohľadom na možnosť netesnosti. Každá netesnosť musí byť odstránená ešte pred ďalším použitím ohrievača.
 - e) V žiadnom prípade neprechováajte vo vnútri budovy v blízkosti ohrievača väčšie množstvo paliva ako je zásoba na jeden deň. Nádrže s palivom sa musia nachádzať mimo budovy.
 - f) Všetky nádrže s palivom sa musia nachádzať vo vzdialenosti najmenej 8 m od ohrievača, horákov, zväracích prístrojov a všetkých ďalších zdrojov vznietenia (výnimkou je palivová nádrž, ktorá je súčasťou ohrievača).

g) Podľa možnosti prechovávanie paliva sa musí obmedzovať na miesta, ktorých úroveň priepustnosti podkladu neumožňuje pretekanie paliva na nižšie poschodia alebo zapálenie paliva ohňom prenikajúcim z nižšieho poschodia nahor.

h) Miesto prechovávania paliva musí byť udržiavané v súlade s aktuálnymi miestnymi predpismi.

- V žiadnom prípade nesmie byť ohrievač používaný tam, kde sú prítomné benzínové výpary, výpary rozpúšťadiel alebo iných vysoko horľavých látok.
- Dodržané musia byť všetky miestne predpisy a pokyny týkajúce sa používania zariadenia.
- Ohrievače používané v blízkosti impregnovanej celoviny, plátňa alebo podobných prikrývacích materiálov musia byť umiestnené v bezpečnej vzdialenosti od nich. Odporúčaná minimálna bezpečná vzdialenosť sú 3 m. Okrem toho sa odporúča, aby sa tieto materiály vyznačovali nižšou horľavosťou. Uvedené prikrývacie materiály je potrebné bezpečne pripevniť tak, aby sa predišlo k ich zapáleniu alebo narušeniu prevádzky ohrievača v dôsledku vyvolania vzduchových prúdov.
- Ohrievač môže byť používaný len v dobre vetraných miestnostiach. Pred spustením ohrievača do prevádzky je potrebné zabezpečiť prívod čerstvého vzduchu vonkajším otvorom veľkosti najmenej 2800 cm² na každý hodinový 29kW výkon .
- Ohrievač môže byť používaný výhradne len v miestnostiach, kde sa nenachádzajú vysoko horľavé výpary alebo nedochádza tam k vysokej koncentrácii prachu.
- Ohrievač môže byť pripojený výlučne do zdroja elektrického prúdu s napätím a frekvenciou podľa menovitej tabuľky každého modelu.
- Prípustné je používať výhradne len trojkoľivý uzemnený predlžovací kábel.
- Vyžadované minimálne vzdialenosti ohrievača od vysoko horľavých materiálov a látok sú: od výfuku 250 cm, od povrchu bočných a vrchných stien a zadnej časti ohrievača: 125 cm.
- Ohrievač počas prevádzky, alebo keď je horúci musí byť umiestnený na rovnom a stabilnom povrchu, predíde sa tým nebezpečenstvu požiaru.
- Pri premiestňovaní alebo počas skladovania je dôležité ohrievač udržiavať vo vodorovnej polohe, aby sa zabránilo unikaniu paliva.
- Nepripúšťajte do blízkosti ohrievača deti a zvieratá.
- Pokiaľ je ohrievač vybavený termostatom, môže sa spustiť do chodu samočinne v každej chvíli.

BEZPEČNOSŤ OBSLUHY

(pokračovanie)

(pozri Obr. 1 a 1, str. č 2)

A. Výfuk horúceho vzduchu, **B.** Držiak, **C.** Kryt ventilátora, **E.** Uzáver palivovej nádrže, **F.** Elektrické napájanie, **G.** Prepínač ZAP/VYP, **H.** Bočný kryt, **I.** Palivová nádrž, **L.** Spodný kryt, **M.** Vrchný kryt, **N.** Tlačidlo odblokovania kontroly horenia plameňa

- Ohrievač sa nesmie používať v obytných priestoroch.
- V žiadnom prípade nesmie byť zablokované nasávanie vzduchu (vzadu) alebo výfuk (vpredu).

- Ohrievač sa nesmie posúvať, premiestňovať, plniť palivom alebo opravovať, keď je v činnosti, je horúci alebo je pripojený do elektrického prúdu.
- K nasávaniu a výfuku vzduchu nesmú byť pripájané akékoľvek prídavné vzdušné ťahy.

ROZBALENIE

1. Odstráňte všetky obaly slúžiace na zabezpečenie ohrievača počas prepravy.
2. Vyberte všetky jednotlivé časti z krabice.
3. Skontrolujte, či jednotlivé časti neboli poškodené počas prepravy. Ak zistíte, že ohrievač je poškodený, neodkladne s tým oboznámte predajcu, u ktorého bol zakúpený.

PALIVO

UPOZORNENIE! používajte výlučne len motorovú naftu alebo ľahký vykurovací olej č. 1. Vyvarujete sa možnosti vzniku požiaru alebo výbuchu. Nikdy nepoužívajte benzín, ťažký benzín, rozpúšťadlá farieb, alkohol ani iné vysoko horľavé palivá.

Nesmú sa používať ťažké palivá ako vykurovací olej č. 2 alebo motorový olej č. 2. Používanie ťažkých palív môže zapríčiniť:

- upchanie palivového filtra a trysky,
- vznik karbónového povlaku na sviečke zapaľovania,
- potrebu prídania netoxických nemrznúcich prísad do paliva pri veľmi nízkych teplotách.

DÔLEŽITÉ UPOZORNENIE! Na prechovávanie MOTOROVEJ NAFTY používajte výhradne nádobu na to určenú. Presvedčte sa vopred, že nádoba je čistá. Cudzorodé látky ako hrdza, nečistoty alebo voda spôsobia vypnutie ohrievača prostredníctvom kontroly horenia plameňa. Cudzíe látky môžu tiež vyžadovať časté čistenie palivového systému.

MONTÁŽ (iba pre modely 29kW, 44kW)

Tieto modely sú vybavené kolesami a držiakmi. Kolesá, držiaky a iné montážne diely sa nachádzajú v krabici.

Náradie potrebné k montáži:

- skrutkovač strednej veľkosti typu Philips,
 - nastavovací kľúč alebo kľúč s otvorom priemeru 3/8",
 - kladivo.
1. Zasuňte hriadeľ do rámu kolies. Pripevnite kolesá na hriadeľ. **UPOZORNENIE:** počas pripevňovania je potrebné predĺžené náboje kolies nasmerovať do kolesového rámu (pozri Obr.4.)
 2. Priložte klobúčikové matice na konce hriadeľa a jemne ich priklepnete kladivom, aby sa dostali na svoje miesto.
 3. Položte ohrievač na rám kolies. Presvedčte sa, či prívod vzduchu do ohrievača (vzadu) sa nachádza v polohe povyššie kolies. Priložte otvory na príruby palivovej nádrže na otvory v kolesovom ráme.
 4. Priložte predný a zadný držiak na vrchnú časť príruby palivovej nádrže. Prevlečte skrutky zároveň cez otvory v držiakoch, príruby palivovej nádrže a kolesového rámu. Na každú skrutku silno rukou priskrutkujte maticu.
 5. Po vložení všetkých skrutiek silno dotiahnite maticu.

(pozri Obr. 3, str. č 2)

A. Výfuk horúceho vzduchu, **B.** Skrutka, **C.** Predný držiak, **D.** Zadný držiak, **E.** Nasávanie vzduchu, **F.** Predĺženie náboja kolesa, **G.** Hriadeľ, **H.** Koleso, **I.** Matica, **L.** Klobúčiková matica, **M.** Kolesový rám, **N.** Príruba palivovej nádrže.

VETRANIE

UPOZORNENIE! dodržiavajte požiadavky týkajúce sa minimálneho vyvetrania vykurovaných miestností čerstvým vzduchom z vonku. Pri nedostatku čerstvého vzduchu môže nastať otrava oxidom uhoľnatým. Zabezpečte dostatočné vyvetranie čerstvým vzduchom ešte pred spustením zariadenia.

**ZÁKLADY PREVÁDZKY
PREVÁDZKA
USKLADŇOVANIE, PREPRAVA, POSIELANIE**

Prísun čerstvého vzduchu musí byť zaistený otvorom povrchu najmenej 2800m² na každých 29kW hodinového výkonu. Pri viacerých naraz prevádzkovaných zariadeniach je potrebné sprístupniť zodpovedajúce väčšie množstvo čerstvého vzduchu. Napríklad: Ohrievač 44kW vyžaduje splnenie jednej z podmienok:

- dve garáže pre dve autá odchýlené do výšky 15 cm,
- dve garáže pre jedno auto odchýlené do výšky 23 cm,
- dve okná šírky 76 cm, každé odchýlené na 31 cm.

ZÁKLADY PREVÁDZKY

Palivová sústava: Vzduchová pumpa vháňa vzduch cez prívod vzduchu do horáka. Následne je vzduch hnaný tryskou v hlavici horáka, čo zároveň vyvoláva nasávanie paliva z nádrže a jemne rozprášené palivo je vstrekované do spaľovacej komory.

Vzduchová sústava: Prostredníctvom motora je otáčaný ventilátor, ktorý vháňa vzduch jednak do spaľovacej komory ako aj na jej plášť. Po ohriatí prúdi ďalej výfukom ohrievača ako čistý horúci vzduch.

Zapaľovacia sústava: Elektrický zapaľovač vytvára napätie na sviečke zapaľovania, ktorá zapaľuje zmes paliva a vzduchu.

Systém kontroly horenia plameňa: Tento systém vypne ohrievač pri prerušení plameňa.

(pozri Obr. 4, str. č 2)

A. Výfuk čistého horúceho vzduchu, **B.** Spaľovacia komora, **C.** Zapaľovacia sviečka, **D.** Hlavica horáka, **E.** Ventilátor, **F.** Elektromotor, **G.** Vzduchové čerpadlo, **H.** Filter nasávania vzduchu, **I.** Nasávanie chladného vzduchu, **L.** Filter výfuku, **M.** ZElektrický zapaľovač, **N.** Prívod vzduchu do horáka, **O.** Palivový filter, **P.** Tryska horáka, **Q.** Palivová nádrž, **R.** Vzduch pre palivový systém, **S.** Vzduch pre spaľovanie aj ohrievanie, **T.** Palivo.

PREVÁDZKA

UPOZORNENIE! pred použitím zariadenia si prečítajte pozorne všetky upozornenia uvedené v kapitole venované bezpečnej obsluhu ohrievača tak, aby ste im porozumeli. Tieto informácie sú nutne potrebné pre správne používanie ohrievača. Dodržujte taktiež všetky miestne predpisy.

Pre uvedenie ohrievača do chodu je potrebné:

1. Dodržiavať všetky pokyny týkajúce sa ventilácie a bezpečnosti.
2. Naplniť palivovú nádrž motorovou naftou alebo ľahkým vykurovacím olejom č. 1.
3. Uzavrieť uzáver palivovej nádrže.
4. Zapojiť elektrický zástrčku do štandardne uzemnenej elektrickej zásuvky 230V/50Hz. Pokiaľ je to potrebné, použite predlžovací kábel. Používajte len trojkolíkovaný uzemnený predlžovací kábel. Požiadavky na rozmer vodiča predlžovacieho kábla: dĺžka do 30 m - vodič 1,00 mm² (16AWG) dĺžka od 30 m do 60 m - vodič 1,50 mm² (14AWG). Nastavením prepínača ZAP/VYP do polohy ZAP sa ohrievač uvedie do činnosti. Pokiaľ sa tak nestane, zatlačte tlačidlo odblokovania kontroly horenia plameňa (pozri Obr. 5 a 6)

Pre vypnutie ohrievača je potrebné:

Nastaviť prepínač ZAP/VYP do polohy VYP

Pre znovuzapnutie ohrievača je potrebné:

1. Počkať 2 minúty po vypnutí ohrievača.
2. Zopakovať činnosti podľa vyššieho bodu Pre uvedenie ohrievača do chodu.

(pozri Obr. 5 a 6, str. č 2)

A. Tlačidlo odblokovania kontroly horenia plameňa, **B.** Prepínač ZAP/VYP

**USKLADŇOVANIE, PREPRAVA,
POSIELANIE**

POZOR: Prepravcovia vyžadujú pred vyslaním vyprázdnenie palivových nádrží.

1. Vyprázdniť palivovú nádrž. Pozor: Niektoré modely sú vybavené výpusťou paliva v spodnej časti palivovej nádrže. V takom prípade je kvôli vyprázdneniu palivovej nádrže potrebné otvoriť

- uzáver výpustu. Pokiaľ ohrievač nie je vybavený výpustom paliva, vyprázdňte nádrž cez vrchný otvor. Vždy sa presvedčte, či bolo odstránené palivo z nádrže úplne.
2. Pripevnite naspäť uzáver výpustu paliva, ak bol použitý.
 3. Pokiaľ sa v starom palive objavuje usadenina, je potrebné naliať do nádrže 1 alebo 2 litre čistej motorovej nafty, zamiešať a nádrž znovu vyprázdniť. Predíde sa tým do budúcnosti upchávaniu filtrov usadeninou.
 4. Pripevnite naspäť uzáver palivovej nádrže a spodného

- výpustu. Starého paliva sa zbavte v súlade s platnými predpismi. Zistite, či miestne opravovne prijímajú použité palivo na prečistenie a opätovné použitie.
5. Ohrievač je potrebné uskladniť na suchom mieste. Presvedčte sa, že miesto uskladnenia je zbavené prachu a výparov spôsobujúcich koróziu.
- DÔLEŽITÉ UPOZORNENIE:** neskladujte naftu počas letných mesiacov s cieľom použiť ju v nasledujúcom vykurovacom období. Používanie starého paliva môže poškodiť ohrievač.

PRIEBEŽNÁ ÚDRŽBA

POZOR! Nikdy nepopravujte ohrievač pripojený do elektrického prúdu, počas chodu, alebo keď je horúci. Môže vám spôsobiť vážne popáleniny alebo zasiahnutie elektrickým prúdom !

Časť	Ako často	Akým spôsobom
Palivová nádrž	Preplachovať po 150-200 hodinách prevádzky alebo podľa potreby.	Pozri uskladňovanie, preprava, posielanie uvedené vyššie.
Filter výfuku a textilný filter	Vymieňať po 500 hodinách prevádzky alebo raz ročne.	Pozri filter výfuku, filter nasávania a textilný filter, str. č. 2.
Filter nasávania vzduchu	Po 500 hodinách prevádzky alebo podľa potreby premyť mydlovou vodou a vysušiť.	Pozri filter výfuku, filter nasávania a textilný filter, str. č. 2.
Palivový filter	Vyčistiť dvakrát v priebehu vykurovacieho obdobia alebo podľa potreby.	Pozri palivový filter, str. č. 4.
Zapaľovacia sviečka	Vyčistiť a utesniť po 600 hodinách prevádzky alebo vymeniť podľa potreby.	Pozri zapaľovacia sviečka, str. č.4.
Lopatky ventilátora	Vyčistiť jedenkrát za sezónu alebo podľa potreby.	Pozri ventilátor, str. č.5.
Elektromotor	Nevyžaduje údržbu. Trvalo je naolejovaný.	

ZISŤOVANIE ZÁVAD

POZOR! nikdy nepopravujte ohrievač pripojený do elektrického prúdu, počas chodu alebo keď je horúci. Môže vám spôsobiť vážne popáleniny alebo zasiahnutie elektrickým prúdom !

ZÁVADA	MOŽNÁ PRÍČINA	OPRAVA
Ohrievač sa zapne, ale po chvíli kontrola horenia plameňa ohrievača vypne.	<ol style="list-style-type: none"> 1. Nedostatočný tlak v čerpadle. 2. Znečistený filter výfuku, filter nasávania alebo textilný filter. 3. Znečistený palivový filter. 4. Znečistená tryska horáka. 5. Znečistená šošovka fotobunky. 6. Poruchová kontrola horenia plameňa. 	<ol style="list-style-type: none"> 1. Pozri regulácia tlaku v čerpadle, str. 4. 2. Pozri filter výfuku, filter nasávania a textilný filter, str. č.4. 3. Pozri palivový filter, str. č.4. 4. Pozri tryska horáka, str. 5. 5. Očistiť šošovku fotobunky. 6. Očistiť snímač kontroly horenia plameňa.
Ohrievač sa nezapaľuje, ale elektromotor je krátko chvíľu v chode.	<ol style="list-style-type: none"> 1. Nedostatočný tlak v čerpadle. 2. Znečistená zapaľovacia sviečka alebo nesprávna vzdialenosť medzi elektródami. 3. Znečistený palivový filter. 4. Znečistená tryska horáka. 5. Voda v palivovej nádrži. 	<ol style="list-style-type: none"> 1. Pozri regulácia tlaku v čerpadle, str.4. 2. Pozri zapaľovacia sviečka, str.5. 3. Pozri palivový filter, str. č.4. 4. Pozri tryska horáka, str.5 5. Vyprázdňte palivovú nádrž a prepláchnite ju čistou motorovou naftou. Pozri uskladňovanie, preprava, posielanie.
AVVERTENZA: alta tensione!		
Elektromotor neštartuje po pripojení do prúdu, ventilátor sa otáča pomaly alebo vôbec sa neotáča.	<ol style="list-style-type: none"> 1. Kontrola horenia plameňa nie je odblokovaná.. 2. Zaseknuté obežné koleso čerpadla. 	<ol style="list-style-type: none"> 1. Zatlačte tlačidlo odblokovania kontroly horenia plameňa, pozri obr. 5 a 6 na str. 2. 2. Pokiaľ sa ventilátor otáča ťažko, pozri Obežné koleso čerpadla str.4.
	<ol style="list-style-type: none"> 6. Neuzemnený elektrický zapaľovač. 7. Poškodený elektrický zapaľovač. 	<ol style="list-style-type: none"> 6. Presvedčte sa, či je dobre pripevnený zapaľovač 7. Vymeňte elektrický zapaľovač

OBSLUHA A POSTUPY V SÚVISLOSTI S OPRAVAMI

POZOR! nikdy nepopravujte ohrievač pripojený do elektrického prúdu, počas chodu alebo keď je horúci. Môže vám spôsobiť vážne popáleniny alebo zasiahnutie elektrickým prúdom!

ODSTRÁNENIE VRCHNÉHO KRYTU

1. Pozdĺž oboch strán ohrievača odskrutkujte skrutky použitím kľúča 5/6" a vyberte poistné podložky. Skrutky spájajú vrchný a spodný kryt.
2. Odstráňte bočný kryt.
3. Odstráňte kryt ventilátora.

PALIVOVÝ FILTER (modely 10kW, 20kW)

1. Odskrutkujte skrutky v bočnom kryte s použitím kľúča 5/16".
2. Odstráňte bočný kryt.
3. Vytiahnite gumovú palivovú hadičku z obruby palivového filtra.
4. Opatrne podvihnite redukčnú spojku a palivový filter a vytiahnite ich z palivovej nádrže.
5. Vypláčajte filter v čistom palive a vložte ho naspäť do nádrže.
6. Zasuňte gumovú palivovú hadičku do púzdra palivového filtra.
7. Priskrutkujte bočný kryt.

PALIVOVÝ FILTER (modely 29kW, 44kW)

1. Odskrutkujte skrutky v bočnom kryte s použitím kľúča 5/16".
2. Odstráňte bočný kryt.
3. Vytiahnite vrchnú palivovú hadičku z obruby palivového filtra.
4. Opatrne podvihnite redukčnú spojku, spodnú palivovú hadičku a palivový filter a vytiahnite z palivovej nádrže.
5. Vypláčajte filter v čistom palive a vložte ho naspäť do nádrže.
6. Zasuňte vrchnú palivovú hadičku do púzdra palivového filtra.
7. Priskrutkujte bočný kryt.

(pozri Obr. 7 a 8, str. č 2)

A. Vrchný kryt, B. Kryt ventilátora.

(pozri Obr. 9 a 10, str. č 2)

A. Palivový filter, B. Bočný kryt, C. Palivová hadička.

ZAPAĽOVACIA SVIEČKA (model 10kW)

1. Odstráňte bočný kryt (pozri str. 2).
2. Vyberte ventilátor (pozri str. 29-30).
3. Odpojte palivovú a vzduchovú hadicu od sústavy trysky horáka.
4. Vyberte prípojku zapaľovacej sviečky.
5. Odskrutkujte dve skrutky pomocou kľúča 5/16" a snímte konzolu horáka.
6. Umiestnite šesťhran sviečky vo zveráku a zafixujte ho.
7. Vyskrutkujte skrutku zapaľovacej sviečky pomocou kľúča priemeru 11/16".
8. Stiahnite konzolu horáka zo zapaľovacej sviečky.
9. Očistite elektródy zapaľovacej sviečky a nastavte ich znovu do vzdialenosti 1,4 mm.
10. Založte konzolu horáka na zapaľovaciu sviečku. Konzolu otáčajte dokiaľ sa horák nedotkne elektródy zapaľovacej sviečky (pozri obr. 4).
11. Vložte na zapaľovaciu sviečku maticu sviečky.
12. Uvoľnite šesťhran sviečky zo zveráka.
13. Pripevnite konzolu horáka na spaľovaciu komoru.
14. Pripevnite prípojku sviečky k zapaľovacej sviečke.
15. Pripojte palivovú a vzduchovú hadicu k sústave trysky horáka.
16. Nainštalujte ventilátor (pozri str. 14).
17. Založte kryt ventilátora a vrchný kryt na svoje miesto.

(pozri Obr. 11, str. č 2)

A. Spaľovacia komora, B. Matica zapaľovacej sviečky, C. Konzola horáka, D. Zapaľovacia sviečka, E. Prípojka zapaľovacej sviečky, F. Sústava trysky horáka, G. Palivová hadica, H. Vzduchová hadica.

(pozri Obr. 12, str. č 3)

A. Ohnutím v tomto mieste prispôsobte vzdialenosť medzi elektródami

(pozri Obr. 13, str. č 3)

A. Konzola horáka

ZAPAĽOVACIA SVIEČKA (modely 20kW, 29kW, 44kW)

1. Odstráňte bočný kryt.
2. Vyberte ventilátor (pozri str. 4).
3. Vyberte prípojku zapaľovacej sviečky.
4. Vyber zapaľovaciu sviečku z hlavice horáka použitím kľúča 13/16".
5. Očistite elektródy zapaľovacej sviečky a nastavte ich znovu do vzdialenosti: modely 20kW, 29kW: 1,9 mm, modely 44kW: 2,8 mm.
6. Zaskrutkujte zapaľovaciu sviečku do hlavice horáka.
7. Pripevnite prípojku sviečky k zapaľovacej sviečke.
8. Nainštalujte ventilátor.
9. Založte kryt ventilátora a vrchný kryt na svoje miesto.

(pozri Obr. 14, str. č 3)

A. Hlavica horáka, B. Prípojka zapaľovacej sviečky, C. Zapaľovacia sviečka

(pozri Obr. 15, str. č 3)

A. Ohnutím v tomto mieste prispôsobte vzdialenosť medzi elektródami

FILTER VÝFUKU, FILTER NASÁVANIA A TEXTILNÝ FILTER

1. Odstráňte vrchný kryt.
2. Odskrutkujte skrutky v koncovke filtra pomocou kľúča 5/16".
3. Stiahnite koncovku filtra.
4. Vymeňte filter výfuku a textilný filter.
5. Vypláčajte alebo vymeňte filter nasávania (pozri Priebežná údržba str.7).
6. Pripevnite koncovku filtra.
7. Založte kryt ventilátora a vrchný kryt na svoje miesto.

DÔLEŽITÉ UPOZORNENIE: nenatierajte filtre olejom!

REGULÁCIA TLAKU V ČERPADLE

1. Vyskrutkujte uzavieraciu skrutku v koncovke filtra.
2. Nainštalujte pomocný manometer (súčiastka HA1180).
3. Zapnite ohrievač (pozri Prevádzka, str. 6) a počkajte až elektromotor dosiahne maximálny výkon.
4. Nastavte tlak prostredníctvom ventilu: skrútením vpravo sa tlak zvyšuje, skrútením vľavo sa tlak znižuje. Príslušné hodnoty tlaku pre jednotlivé modely sú uvedené v tabuľke vpravo.
5. Odpojte manometer. Zaskrutkujte uzavieraciu skrutku v koncovke filtra.

(pozri Obr. 16 a 17, str. č 3)

A. Filter nasávania vzduchu, B. Koncovka filtra, C. Kryt ventilátora, D. Filter výfuku, E. Textilný filter.

Modelli	Pressioni (Bar/PSI)
10 kW	0,207 / 3
20 kW	0,365 / 5,3
29 kW	0,275 / 4
44 kW	0,337 / 4,9

(pozri Obr. 18, str. č 3)

A. Uzavieracia skrutka, B. Merací uzáver, C. Uvedené modely – 10kW, 20kW

(pozri Obr. 19, str. č 3)

A. Manometer

TRYSKA HORÁKA (model 10kW)

1. Odstráňte vrchný kryt.
2. Vyberte ventilátor.
3. Odpojte palivovú a vzduchovú hadicu od sústavy trysky horáka.
4. Natočte trysku horáka o ¼ obratu vľavo a potiahnutím v smere elektromotora trysku vyberte.
5. Vložte šesťhran do zveráka a zľahka zatahnite.
6. Opatrne vyberte trysku horáka z redukčnej spojky trysky pomocou nasadzovacieho kľúča 5/8".
7. Čelo trysky prefúknite stlačeným vzduchom. Odstráňte všetky nečistoty z okolia trysky.
8. Skontrolujte, či nie je poškodené tesnenie trysky.
9. Vložte trysku do redukčnej spojky tak, aby dosadla. Zatahnite skrútením o 1/3 obratu pomocou nasadzovacieho kľúča 5/8".
10. Pripevnite sústavu trysky na konzolu horáka.
11. Pripojte palivovú a vzduchovú hadicu k sústave trysky horáka.
12. Nainštalujte ventilátor.
13. Založte kryt ventilátora a vrchný kryt na svoje miesto.

(pozri Obr. 20 a 21, str. č 3)

A. Spaľovacia komora, **B.** Konzola horáka, **C.** Sústava trysky horáka, **D.** Palivová hadica, **E.** Vzduchová hadica

(pozri Obr. 22, str. č 3)

A. Hlavica trysky horáka, **B.** Tesnenie trysky, **C.** Pripojenie palivovej hadice, **D.** Pripojenie vzduchovej hadice, **E.** Redukčná spojka trysky, **F.** Tryska horáka,

TRYSKA HORÁKA (modely 20kW, 29kW, 44kW)

1. Odstráňte vrchný kryt.
2. Vyberte ventilátor.
3. Odpojte palivovú a vzduchovú hadicu od sústavy trysky horáka.
4. Vyberte prípojku zapaľovacej sviečky.
5. Vyber zapaľovaciu sviečku z hlavice horáka použitím kľúča 13/16".
6. Vyskrutkujte tri skrutky pomocou kľúča 5/6" a odpojte hlavicu horáka od spaľovacej komory.
7. Vložte hlavicu horáka do zveráka a zľahka zatahnite.
8. Opatrne vyberte trysku horáka z redukčnej spojky trysky pomocou nasadzovacieho kľúča priemeru 5/8" (pozri obr. 24).
9. Čelo trysky prefúknite stlačeným vzduchom. Odstráňte všetky nečistoty z okolia trysky.
10. Skontrolujte, či nie je poškodené tesnenie trysky.
11. Umiestnite trysku horáka na hlavicu horáka a silno dotiahnite.
12. Pripevnite hlavicu horáka k spaľovacej komore.
13. Zaskrutkujte zapaľovaciu sviečku do hlavice horáka.
14. Pripevnite prípojku sviečky k zapaľovacej sviečke.
15. Pripojte palivovú a vzduchovú hadicu k hlavici horáka.
16. Nainštalujte ventilátor.
17. Založte kryt ventilátora a vrchný kryt na svoje miesto.

(pozri Obr. 23, str. č 3)

A. Spaľovacia komora, **B.** Hlavica horáka, **C.** Prípojka zapaľovacej sviečky, **D.** Zapaľovacia sviečka, **E.** Palivová hadica, **F.** Vzduchová hadica, **G.** Skrutka

(pozri Obr. 24, str. č 3)

A. Hlavica trysky horáka, **B.** Tesnenie trysky, **C.** Pripojenie palivovej hadice, **D.** Pripojenie vzduchovej hadice, **E.** Hlavica horáka, **F.** Tryska horáka

OBEŽNÉ KOLESO ČERPADLA**(postup v prípade zaseknutia sa obežného kolesa)**

1. Odstráňte vrchný kryt.
2. Odstkrutkujte skrutky v koncovke filtra pomocou kľúča 5/16".
3. Vyberte koncovku filtra a vzduchové filtre.

4. Vyskrutkujte skrutky v príložke čerpadla pomocou kľúča 5/16.
5. Stiahnite príložku čerpadla.
6. Vyberte obežné koleso, vložku a lopatky.
7. Skontrolujte, či sa nenachádzajú v čerpadle usadeniny. Pokiaľ áno, tak ich vyfúkajte stlačeným vzduchom.
8. Nasadte vložku a obežné koleso naspäť.
9. Skontrolujte medzery okolo obežného kolesa. Pokiaľ je to potrebné, nastavte ich na 0,076/0,101 mm v najužšom mieste (pozri obr. 27). POZOR: Otočením obežného kolesa o celú obrátku sa presvedčíte, že vzdialenosť je 0,076/0,101 mm v najužšom mieste. Pokiaľ je to potrebné, nastavte vzdialenosť.
10. Primontujte lopatky, príložku čerpadla, vzduchové filtre a koncovku filtra.
11. Založte kryt ventilátora a vrchný kryt na svoje miesto.
12. Nastavte tlak v čerpadle (pozri 11).
13. POZOR: Pokiaľ sa obežné koleso naďalej zasekáva, postupujte podľa nasledujúcich inštrukcií.
14. Na plochý povrch položte kúsok jemnozrnného brúsneho papiera (zrnnosť 600). Zľahka prebrúste obežné koleso štyrmi pohybmi v tvare osmičky.
15. Naspäť primontujte vložku a obežné koleso.
16. Postupujte podľa vyššie uvedených bodov 10 až 12.

(pozri Obr. 25 a 26, str. č 4)

A. Lopatka, **B.** Príložka čerpadla, **C.** Filter nasávania vzduchu, **D.** Koncovka filtra, **E.** Kryt ventilátora, **F.** Filter výfuku, **G.** Obežné koleso, **H.** Vložka.

(pozri Obr. 27, str. č 4)

A. Skrutka nastavenia veľkosti medzery, **B.** Vzdialenosť odmeraná posuvným meradlom, **C.** Lopatka

(pozri Obr. 28, str. č 4)

A. Brúsny papier

VENTILÁTOR

DÔLEŽITÉ UPOZORNENIE: Odmontujte ventilátor z hriadeľa motora ešte pred vymontovaním elektromotora ohrievača. Váha elektromotora by mohla poškodiť závit ventilátora.

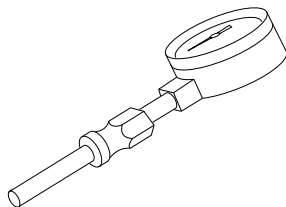
1. Odstráňte vrchný kryt.
2. Pomocou šesťuholníkového kľúča 2,5" uvoľnite poistnú skrutku na spoji ventilátora s hriadeľom elektromotora.
3. Stiahnite ventilátor z hriadeľa elektromotora.
4. Očistite ventilátor mäkkou utierkou navlhčenou v naftě alebo rozpúšťadle.
5. Dôkladne ventilátor osušte.
6. Nasunte ventilátor naspäť na hriadeľ elektromotora. Koncovú plošku piestu ventilátora nastavte do rovnobežnej polohy s koncovou ploškou hriadeľa elektromotora (pozri obr. 30).
7. Zaskrutkujte poistnú skrutku v spoji ventilátora s hriadeľom a silno ju dotiahnite.
8. Založte kryt ventilátora a vrchný kryt na svoje miesto.

(pozri Obr. 29 a 30, str. č 4)

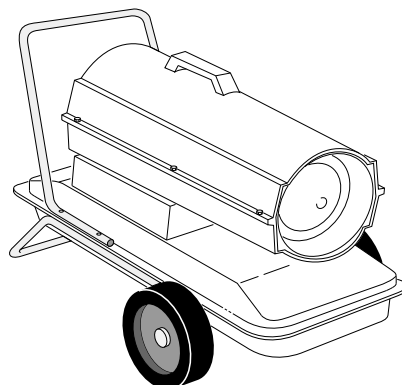
A. Ventilátor, **B.** Hriadeľ elektromotora, **C.** Poistná skrutka, **D.** Nastaviť do jednej roviny.

DOPLNKOVÉ VYBAVENIE

Doplnkové vybavenie si môžete zaobstarat prostredníctvom miestnych predajcov.

**MANOMETER - 4 109.427**

Pre všetky modely. Služi na zisťovanie tlaku v čerpadle.

**KOMPLET KOLIES S DRŽIAKOM,
PRISPÔSOBENÝ NA VEĽKÉ ZAŤAŽENIE 4103.925**

Nosnosť pri veľkom zaťažení.

Umožňuje pohodlné premiestňovanie ohrievača.

Pre modely 10kW, 20kW.

ZÁRUČNÉ PODMIENKY A SERVISNÉ SLUŽBY**Jednoročná záruka pokrýva základné vybavenie ohrievača**

DESA Italy zaručuje opravu každej závady zakúpeného výrobku vyplývajúcej z chybné výroby počas jedného roka odo dňa dodania výrobku jeho prvému užívateľovi s nasledovnými podmienkami:

Všetky záväzky a zodpovednosti DESA Italy vyplývajúce s tejto záruky sa obmedzujú na opravu alebo výmenu podľa uváženia DESA Italy každej súčiastky, na ktorej boli zistené závady alebo akékoľvek poškodenie, ku ktorému došlo počas prepravy. Tieto súčiastky musia byť doručené (doprava je zahrnutá v záruke) do autorizovaného servisného strediska alebo k výrobcovi v riadnom pracovnom čase. Táto záruka sa nevzťahuje na súčiastky alebo doplnkové vybavenie nevyrobené v DESA Italy, ktoré sú pokryté zárukou ich výrobcu, nevzťahuje sa na priebežnú údržbu (napríklad nastavenie tlaku) ani na súčiastky vymieňané pri priebežnej údržbe (ako sú filtre a zapalovacie sviečky).

Súčiastky určené na opravu alebo výmenu inštalované v tomto výrobku a pokryté zárukou podliehajú záruke len počas zostávajúcej doby uvedenej v tejto záruke ako keby boli súčasťou pôvodného tohto výrobku. DESA ITALY NEPOSKYTUJE ŽIADNU INÚ ZÁRUKU. V RÁMCI PLATNÉHO PRÁVA DESA ITALY NEZABEZPEČUJE POTREBNÉ MIMOZÁRUČNÉ SLUŽBY ANI NEZARUČUJE MOŽNOSŤ VRÁTIŤ VÝROBOK

ANEPOSKYTUJE ZÁRUKY NA ÚŽITKOVÉ VLASTNOSTI PRE ZVLÁŠTNE ÚČELY. V KAŽDOM PRÍPADE POTREBNÉ ZÁRUČNÉ SLUŽBY VRÁTANIE ZÁRUKY VRÁTANIA A ZÁRUKY ÚŽITKOVÝCH VLASTNOSTÍ SÚ OBMEDZENÉ OBDOBÍM TRVANIA TEJTO ZÁRUČNEJ LEHOTY.

Všetky prepravné a inštalačné náklady, clá, dane a iné výdavky znáša užívateľ. V rámci záruky DESA Italy nepreberá na seba zodpovednosť za priame či nepriame, náhodné a nepriamo vzniknuté škody a omeškania. Na žiadosť DESA Italy výrobky alebo ich časti podliehajúce záruke musia byť poslané k výrobcovi na náklady zákazníka. Každé nesprávne používanie vrátane používania výrobku po zistení chybných alebo opotrebovaných súčiastok, nadmerné zaťažovanie zariadenia, výmena súčiastok bez oprávnenia zo strany DESA Italy ako aj prerobenia a opravy vykonané niekým iným takým spôsobom, že podľa úsudku DESA Italy iba zhoršujú existujúci stav, majú za následok zánik nároku na záručný servis. Žiadny pracovník ani obchodný zástupca nie je oprávnený akýmkoľvek spôsobom vykonávať zmeny týchto záručných podmienok alebo poskytovať inú záruku, pokiaľ takáto zmena nebola potvrdená písomne a podpísaná splnomocneným úradníkom DESA Italy v sídle firmy.

ZÁRUČNÉ SLUŽBY

Pri kontaktovaní sa s výrobcom vždy je potrebné uviesť číslo modelu a série.

Vyhradzujeme si osobitné právo zmeny vyššie uvedeného v akomkoľvek čase bez predošlého upozornenia. Jedinou záväznou zárukou je naša štandardná písomná záruka. Neposkytujeme žiadne iným spôsobom vyjadrené alebo zavedené záruky.

Návod na obsluhu si vyžiadať písomne v oddelení technickej obsluhy na adresách:


ÎNCĂLZITOARE DE AER PORTABILE CU VENTILATOR INSTRUCȚIUNEA DE DESERVIRE

IMPORTANT: Se recomandă citirea cu atenție și înțelegerea acestor instrucțiuni înainte de a începe montarea încălzitorului, pornirea sau repararea acestuia. Utilizarea neadecvată a încălzitorului poate duce la vătămări corporale grave. Păstrați aceste instrucțiuni pentru consultare ulterioară.

SIGURANȚA ÎN EXPLOATARE

AVERTISMENT

IMPORTANT: Se recomandă citirea cu atenție și înțelegerea acestor instrucțiuni înainte de a începe montarea încălzitorului, pornirea sau repararea acestuia. Exploatarea incorectă a încălzitorului poate determina vătămări corporale serioase sau chiar decese, în urma unor arsuri, incendii, explozii, electrocutări sau intoxicații cu monoxid de carbon.

 **PERICOL:** Intoxicarea cu monoxid de carbon poate fi mortală!

Intoxicarea cu monoxid de carbon: Primele manifestări ale intoxicației cu monoxid de carbon amintesc de simptomele gripei: dureri de cap, amețeală și/sau indispoziție. Dacă apar aceste simptome atunci se poate presupune că încălzitorul nu funcționează în mod adecvat.

Trebuie să ieșiți imediat la aer curat! Încălzitorul trebuie reparat. Unele persoane resimt mai puternic efectele acțiunii monoxidului de carbon, mai ales femeile gravide, cei ce suferă de afecțiuni ale aparatului circulator, de boli de plămâni, anemie, persoanele aflate sub influența alcoolului, sau cei care locuiesc în regiuni situate la o mare altitudine geografică.

Toate avertismentele cuprinse în aceste instrucțiuni trebuie citite și înțelese bine, iar instrucțiunile trebuie păstrate pentru a fi utilizate în viitor. Aceste instrucțiuni au rol de ghid pentru utilizarea sigură și adecvată a încălzitorului.

- Drept combustibil se va folosi numai motorină curată, fara impurități pentru a evita riscul unor incendii sau explozii. Nu folosiți niciodată benzină, petrol, diluanți de vopsele, alcool sau alți combustibili puternic inflamabili.
- Umplerea rezervorului.
 - a) Personalul care se ocupă de umplerea rezervorului trebuie să posede calificarea necesară și să cunoască foarte bine instrucțiunile producătorului și normele în vigoare referitoare la exploatarea în condiții de siguranță a încălzitoarelor de aer.
 - b) Trebuie să utilizați numai tipul de combustibil indicat pe tăblița de identificare a încălzitorului.
 - c) Înainte de umplerea cu combustibil trebuie să stingeți toate flăcările, inclusiv flacăra de control și să lăsați încălzitorul să se răcească.
 - d) În timpul umplerii cu combustibil observați toate conductele de combustibil și bransamentele, dacă acestea sunt etanșe și nu apar scurgeri. Orice scurgere se va remedia înainte de repunerea în funcțiune a utilajului.
 - e) În nici un caz nu se admite depozitarea în aceeași clădire, în apropierea încălzitorului, a unei cantități de combustibil mai mari decât cea necesară funcționării acestuia pentru o zi. Rezervoarele de combustibil trebuie să se găsească într-o altă clădire.
 - f) Toate rezervoarele de combustibil trebuie să se afle într-o încăpere situată la o minimă distanță de 8 m de încălzitor, față de arzătoarele de hidro-oxigen, aparate de sudură sau alte surse de aprindere (cu excepția rezervorului de combustibil din interiorul încălzitorului).
 - g) Dacă aceasta este posibil, atunci păstrarea rezervelor de combustibil trebuie să se facă în locuri al căror grad de absorbție al pardoseli nu permite scurgerea combustibilului la etajele de mai jos sau aprinderea acestuia de la un foc de la un etaj inferior.
 - h) Locul de depozitare al combustibilului trebuie întreținut

conform normelor locale în vigoare.

- Nu folosiți niciodată încălzitorul în locuri în care există emanații de benzină, diluanți de vopsele sau alți combustibili puternic inflamabili.
- Trebuie respectate toate normele și legile locale care reglementează exploatarea dispozitivului.
- Încălzitoarele folosite în apropierea unor prelate impregnate, a unor pânze sau alte asemenea materiale de protecție sau acoperire, se vor utiliza respectându-se distanța de siguranță față de aceste materiale. Distanța minimă recomandată este de 3 m. Adicional se recomandă ca aceste materiale să posede proprietăți de aprindere reduse. Materiale de protecție trebuie astfel fixate pentru a nu permite aprinderea lor sau obturarea căilor de aerisire ale dispozitivului din cauza curenților de aer.
- Încălzitoarele se vor folosi numai în încăperi bine ventilate. Înainte de pornirea încălzitorului trebuie să asigurați o intrare de aer curat printr-un orificiu de cel puțin 2800 cm² pentru un randament de 29kW/oră.
- Încălzitorul poate fi folosit numai în locurile unde nu sunt emanații de substanțe inflamabile sau prea mult praf.
- Încălzitorul se conectează numai la surse de curent cu tensiunea și intensitatea care este înscrisă pe tăblița de fabricație a modelului.
- Folosiți doar un prelungitor cu 3 fișe, cu împământare.
- Distanțele minime ale încălzitorului față de substanțele și materialele inflamabile: de la gura de ieșire: 250 cm, de la suprafața peretelui lateral, de sus și din spate: 125 cm.
- În timpul funcționării încălzitorului, când acesta este fierbinte trebuie plasat pe o suprafață orizontală și stabilă pentru a preveni pericolul de incendiu.
- În timpul transportării sau păstrării trebuie să mențineți încălzitorul în poziție orizontală pentru a nu permite scurgerea combustibilului.
- Nu este permis accesul copiilor și al animalelor în apropierea încălzitorului.
- Când nu este folosit, încălzitorul trebuie deconectat de la tensiunea electrică.
- Dacă încălzitorul este dotat cu un termostat atunci acesta poate porni în orice moment.
- Niciodată nu folosiți încălzitorul în încăperi locuibile.
- Nu se permite blocarea intrării aerului (în spate) sau ieșirii aerului (în față) din încălzitor.
- Niciodată nu mutați, împingeți sau alimentați cu combustibil încălzitorul în funcțiune, fierbinte sau conectat la priza de alimentare
- Niciodată nu conectați duze adiționale la intrarea sau ieșirea aerului

SCHEMELE MODELELOR

(vezi figurile 1 e 2, pagina 2)

A. Ieșirea aerului cald, B. Mâner, C. Scutul ventilatorului, D. Coperchio filtru aria, E. Capacul rezervorului de combustibil, F. Cablu electric, G. Comutator PORNIT/OPRIT, H. Carcasa laterală, I. Rezervor de combustibil, L. Carcasa inferioară, M. Carcasa superioară, N. Buton de anulare a controlului întreruperii flăcării.

DESPACHETAREA

1. Scoateți toate ambalajele de fixare folosite la transportul încălzitorului.
2. Scoateți toate piesele din cutie.
3. Verificați dacă nu au fost avariate în timpul transportului. Dacă

Încălzitorul este avariata, anunțați imediat distribuitorul de unde acesta a fost achiziționat.

COMBUSTIBILI

ATENȚIE: Drept combustibil se va folosi numai motorină pentru a evita riscul unor incendii sau explozii. Niciodată nu folosiți benzină, benzină grea, diluanți de vopsele, alcool sau alte substanțe puternic inflamabile pe post de combustibil.

Nu folosiți combustibili grei, ca de exemplu Diesel nr 2 sau motorină nr 2. Folosirea combustibililor grei poate duce la:

- Blocarea filtrului și a duzei de combustibil,
- Apariția unor depuneri de carbon pe bujia de aprindere,
- Necesitatea utilizării unor substanțe non-toxice pentru a preveni închegarea combustibilului la temperaturi foarte scăzute.

IMPORTANT: Folosiți NUMAI un recipient destinat pentru păstrarea MOTORINEI. Asigurați-vă că recipientul este curat. Corpurile străine, ca de pildă impuritățile sau apa vor face ca încălzitorul să se oprească din funcționare. De asemenea, corpurile străine pot cauza să fie necesară o curățare foarte frecventă a sistemului de alimentare cu combustibil.

MONTAREA

(NUMAI PENTRU MODELELE 29kW, 44kW)

Aceste modele sunt dotate cu roți și mânere. Roțile și mânerul împreună cu alte piese se găsesc în cutie.

Instrumente necesare

- O șurubelniță mijlocie de tip Phillips
- Cheie reglabilă sau echivalent de 3/8 țoli.
- Ciocan

1. Introduceți axul în rama de susținere a roților. Instalați roțile pe ax. **IMPORTANT:** În timpul instalării roților trebuie să direcționați prelungirea butucului roților pe direcția ramei de susținere a roților (vezi figura 4).
2. Montați piulițele cu capac în capetele axului. Loviți-le ușor cu ciocanul pentru a intra la locul lor.
3. Amplasați încălzitorul pe rama de susținere a roților. Asigurați-vă că intrarea aerului în încălzitor (din spate) se găsește deasupra roților. Fixați flanșa rezervorului de combustibil pentru ca orificiile din acesta să se găsească în linie cu rama de susținere a roților.
4. Montați mânerul frontal și mânerul din spate pe suprafața de sus a flanșei rezervorului de combustibil. Introduceți șuruburile în orificii, flanșa rezervorului de combustibil și rama de susținere a roților. Pe fiecare șurub fixat înșurubați manual dar puternic piulițele.
5. După montarea tuturor șuruburilor strângeți puternic piulițele.

(vezi figurile 3, pagina 2)

A. Ieșirea aerului cald, **B.** Șurub, **C.** Mâner fata, **D.** Mânerul spate, **E.** Intrare aer, **F.** Prelungirea butucului, **G.** Ax, **H.** Roată, **I.** Piuliță, **L.** Piuliță de acoperire, **M.** Rama de suport a roților, **N.** Flanșa rezervorului de combustibil.

AERISIREA

ATENȚIE: Trebuie respectate cerințele referitoare la ventilarea minimă a încăperilor încălzite cu aer cald din exterior. La o cantitate prea mică de aer curat poate avea loc intoxicarea cu monoxid de carbon. Trebuie să asigurați ventilarea adecvată cu aer din exterior înainte de pornirea încălzitorului.

Trebuie să asigurați o intrare de aer curat printr-un orificiu de cel puțin 2800 cm² pentru un randament de 29kW/oră. Dacă folosiți mai multe echipamente care lucrează concomitent trebuie să asigurați o cantitate de aer curat proporțional mai mare.

Exemplu: Încălzitorul 44kW necesită ca cel puțin una dintre condițiile de mai jos să fie îndeplinite:

- a unui garaj pentru două automobile să fie deschisă cu 15 cm
- a unui garaj pentru un automobil să fie deschisă cu 23 cm

- Două geamuri de lățime 75 cm să fie deschise cel puțin 31 cm

PRINCIPIUL DE FUNCȚIONARE

Sistemul de alimentare cu combustibil: Pompa de aer împinge aerul prin canalul de aer. Apoi aerul este trimis către duza capului arzătorului. Acest aer pompează combustibilul din rezervorul de combustibil. Combustibilul disipat este apoi injectat în camera de ardere.

Sistemul de aer: Ventilatorul este rotit cu ajutorul unui motor. Ventilatorul împinge aerul în camera de ardere și în jurul acesteia. Aerul încălzit este curat și fierbinte.

Sistemul de aprindere: Un aprinzător electric alimentează bujia de aprindere cu curent electric. Aceasta aprinde amestecul de aer și combustibil.

Sistemul de control al lipsei de flăcără: Acest sistem face ca încălzitorul să se oprească în momentul lipsei (stingerii) flăcării.

(vezi figurile 4, pagina 2)

A. Ieșirea aerului cald curat, **B.** Cameră de ardere, **C.** Bujie **D.** Capul arzătorului, **E.** Ventilator, **F.** Motor, **G.** Pompa de aer, **H.** Filtru intrare aer, **I.** Intrarea aerului rece, **L.** Filtru ieșire aer, **M.** Aprinzător electronic, **N.** Canalul de aer către arzător, **O.** Filtru de combustibil, **P.** Duza arzătorului, **Q.** Rezervorul de combustibil, **R.** Aer pentru sistemul de combustie, **S.** Aer pentru ardere și încălzire, **T.** Combustibil.

FUNCȚIONAREA

ATENȚIE: Înainte de începerea exploatarei echipamentului asigurați-vă că ați citit și ați înțeles toate avertizările cuprinse în capitolul deservirii încălzitorului în condiții de siguranță. Aceste informații sunt necesare pentru a asigura o utilizare adecvată a încălzitorului. De asemenea trebuie să respectați legile și normele locale.

PENTRU A PORNII ÎNCĂLZITORUL TREBUIE SĂ EFECTUAȚI URMĂTOARELE OPERAȚIUNI:

1. Asigurați-vă că sunt respectate toate cerințele referitoare la ventilare și siguranță.
2. Umpleți rezervorul de combustibil cu motorină sau combustibil Diesel ușor Nr. 1.
3. Închideți capacul rezervorului de combustibil.
4. Introduceți ștecherul încălzitorului într-o priză standard cu pământare 230V/50Hz. Dacă este nevoie, utilizați un prelungitor. Folosiți doar un prelungitor cu 3 fișe, cu pământare.

Cerințele pentru cablul electric al prelungitorului

- Lungime maximă 30,5 m – fir 1,00 mm² (16 AWG)
- Lungime între 30,6 și 61 m – fir 1,50 mm² (14 AWG)

Setați comutatorul PORNIT / OPRIT în poziția PORNIT și încălzitorul trebuie să pornească. Dacă acest lucru nu se întâmplă, apăsați butonul de oprire a controlului lipsei flăcării (vezi figurile 5 și 6).

Pentru a opri încălzitorul trebuie să efectuați următoarele operațiuni:

1. Setați comutatorul PORNIT / OPRIT în poziția OPRIT.

Pentru a porni încălzitorul din nou trebuie să efectuați următoarele operațiuni:

1. Așteptați 2 minute de la oprirea încălzitorului.
2. Repetați operațiunile descrise la punctul Pornirea încălzitorului.

(vezi figurile 5 e 6, pagina 2)

A. Buton de anulare a controlului întreruperii flăcării, **B.** Comutator PORNIT/OPRIT.

TRANSPORTUL, PĂSTRAREA ȘI EXPEDIEREA

Atenție: La expediere firmele de transport cer golirea rezervoarelor de combustibil.

1. Goliți rezervorul de combustibil.
2. Atenție: Anumite modele au un bușon de evacuare a combustibilului amplasat în partea de jos a rezervorului de

- combustibil. În acest caz, pentru a goli rezervorul este îndeajuns să deschideți acest bușon. Dacă încălzitorul nu are un bușon de evacuare a combustibilului, atunci rezervorul trebuie golit prin orificiul superior. Întotdeauna trebuie să vă asigurați dacă combustibilul a fost evacuat din rezervor în totalitate.
- Montați apoi la locul său bușonul de evacuare – dacă acesta a fost utilizat.
 - Dacă în combustibilul vechi observați o depunere, atunci trebuie să turnați în acesta 1 sau 2 litri de motorină curată, să amestecați și să goliți din nou rezervorul. Aceasta va preveni astuparea filtrelor cu aceste depuneri și va permite o funcționare bună în viitor.

- Montați la locul său capacul rezervorului sau bușonul de evacuare a combustibilului. Combustibilul vechi trebuie evacuat conform legilor și normelor locale. Verificați dacă stațiile locale de depanare nu iau în primire combustibilul utilizat pentru curățare și re folosire.
 - Păstrați încălzitorul într-un loc uscat, asigurându-vă că locul de depozitare nu este prăfuit și nu conține aburi care ar putea avea o acțiune corosivă.
- IMPORTANT:** Nu este permisă depozitarea motorinei în sezonul de vară pentru a o utiliza în timpul următorului sezon de iarnă. Folosirea combustibilului vechi poate avaria încălzitorul.

CONSERVAREA CURENTĂ

ATENȚIE: Niciodată nu reparați încălzitorul când acesta este sub tensiune, în timp ce funcționează sau când este fierbinte. Aceasta poate duce la vătămări corporale serioase sau la electrocutare.

Piesa	Frecvența	Modul
Rezervorul de combustibil	Spălați la fiecare 150 – 200 de ore de funcționare sau în caz de necesitate.	Consultați Transportul, păstrarea și expedierea, mai sus.
Filtrul de ieșire a aerului și filtrul din fibră	Schimbați la fiecare 500 de ore de utilizare sau o dată pe an.	Consultați <i>Filtrul de ieșire a aerului</i> , filtrul de intrare a aerului și filtrul din fibră, pagina 4
Filtru de intrare a aerului	Spălați cu apă și săpun și uscați la fiecare 500 de ore de funcționare sau în caz de necesitate.	Consultați <i>Filtrul de ieșire a aerului</i> , filtrul de intrare a aerului și filtrul din fibră, pagina 4
Filtru de combustibil	Curățați de două ori în timpul sezonului sau în caz de necesitate.	Consultați <i>Filtrul de combustibil</i> , pagina 4.
Bujia de aprindere	Curățați și etanșați la fiecare 600 de ore de funcționare sau schimbați în caz de necesitate.	Consultați <i>Bujia de aprindere</i> .
Paletele ventilatorului	Curățați o dată pe sezon sau în caz de necesitate.	Consultați <i>Ventilatorul</i> , pagina 4.
Motorul	Conservarea nu este necesară. Este lubrifiat pe viață.	

DIAGNOSTICAREA

ATENȚIE: Niciodată nu depanați încălzitorul când acesta este sub tensiune, în timp ce funcționează sau când este fierbinte. Aceasta poate duce la vătămări corporale serioase sau la electrocutare.

AVARIA OBSERVATĂ	CAUZA POSIBILĂ	DEPANAREA
Încălzitorul pornește, dar după un scurt timp controlul de lipsă flăcără îl oprește.	<ol style="list-style-type: none"> Presiune slabă în pompă Filtrul de ieșire a aerului, filtrul de intrare a aerului sau filtrul din fibră este murdar. Filtrul de combustibil este murdar. Impurități în duza arzătorului. Lentila fotocelulei este murdară. Dispozitivul de control al lipsei flăcării este avariata. 	<ol style="list-style-type: none"> Consultați Reglarea presiunii în pompă, pag. 4. Consultați <i>Filtrul de ieșire a aerului</i>, filtrul de intrare a aerului și filtrul din fibră, pag. 4 Consultați <i>Filtrul de combustibil</i>, pagina 4. Consultați <i>Duza de combustibil</i>, pagina 4. Curățați lentila fotocelulei. Schimbați dispozitivul de control al lipsei flăcării.
Încălzitorul nu funcționează, dar motorul lucrează un timp scurt.	<ol style="list-style-type: none"> Presiune slabă în pompă Depunere de carbon pe bujia de aprindere sau distanța greșită între electrozi. Filtrul de combustibil este murdar. Impurități în duza arzătorului. Apă în rezervorul de combustibil. 	<ol style="list-style-type: none"> Consultați Reglarea presiunii în pompă, pag. 4. Consultați <i>Bujia de aprindere</i>, pagina 4. Consultați <i>Filtrul de combustibil</i>, pagina 4. Consultați <i>Duza de combustibil</i>, pagina 5. Goliți și clătiți rezervorul de combustibil cu motorină nouă. Consultați Transportul, păstrarea și expedierea, pagina 2.
Motorul nu pornește după conectarea la tensiunea electrică, ventilatorul se rotește foarte încet sau nu se rotește deloc.	<ol style="list-style-type: none"> Controlul de lipsă flăcără nu este resetat. Blocarea rotorului pompei. 	<ol style="list-style-type: none"> Apăsăți butonul de resetare a controlului de lipsă flăcără, consultați figurile 5 și 6 din pagina 6. Dacă ventilatorul se rotește greu consultați <i>Rotorul pompei</i>, în pagina 13.

ATENȚIE: Înaltă tensiune!

- Aprinzătorul electronic nu este pământat.
- Aprinzătorul electronic este avariata.
- Asigurați-vă dacă aprinzătorul este bine fixat.
- Schimbați aprinzătorul electronic.

LUCRĂRI ȘI ACȚIUNI LEGATE DE DEPANARE

ATENȚIE: Niciodată nu depaneți încălzitorul când acesta este sub tensiune, în timp ce funcționează sau când este fierbinte. Aceasta poate duce la vătămări corporale serioase sau la electrocutare.

DEMONTAȚI CARCASA SUPERIOARĂ

1. Scoateți șuruburile și piulițele de asigurare de-a lungul ambelor părți laterale ale încălzitorului folosind o cheie de 5/16 țoli. Aceste șuruburi leagă capacul superior și cel inferior.
2. Demontați capacul superior.
3. Demontați scutul ventilatorului.

FILTRUL DE COMBUSTIBIL (modelele 10kW, 20kW)

1. Demontați șuruburile din capacul lateral, folosind cheia de 5/16 țoli.
2. Demontați capacul lateral.
3. Scoateți conducta de alimentare din cauciuc din bransamentul filtrului de combustibil.
4. Delicată scoateți capătul și filtrul de combustibil din rezervorul de combustibil.
5. Clătiți filtrul cu combustibil curat și plasați-l înapoi în rezervor.
6. Montați conducta de alimentare din cauciuc pe bransamentul filtrului de combustibil.
7. Montați capacul lateral.

FILTRUL DE COMBUSTIBIL (modelele 29kW, 44kW)

1. Demontați șuruburile din capacul lateral, folosind cheia de 5/16 țoli.
2. Demontați capacul lateral.
3. Scoateți conducta de alimentare superioară din bransamentul filtrului de combustibil.
4. Delicată scoateți capătul de cuplare, conducta de alimentare cu combustibil inferioară și filtrul de combustibil din rezervorul de combustibil.
5. Clătiți filtrul cu combustibil curat și plasați-l înapoi în rezervor.
6. Montați conducta de alimentare superioară pe bransamentul filtrului de combustibil.
7. Montați capacul lateral.

(vezi figurile 7 e 8, pagina 2)

A. Carcasa superioară, **B.** Scutul ventilatorului

(vezi figurile 9, pagina 2)

A. Filtru de combustibil, **B.** Carcasa laterală, **C.** Conducta de combustibil

(vezi figurile 10, pagina 2)

A. Filtru de combustibil, reductor și conducta inferioară de combustibil, **B.** Carcasa laterală, **C.** Conducta superioară de combustibil.

BUJIA DE APRINDERE (modelul 10kW)

1. Demontați capacul superior (consultați pagina 4).
2. Scoateți ventilatorul (consultați pagina 5).
3. Scoateți conducta de alimentare cu combustibil și conducta de aer din sistemul duzei.
4. Scoateți cuplajul bujiei din bujia de aprindere.
5. Deșurubați două șuruburi cu ajutorul unei chei de 5/16 țoli și scoateți eclisa arzătorului.
6. Puneți capul hexagonal al bujiei în menghină și strângeți.
7. Deșurubați șurubul de fixare al bujiei de aprindere cu ajutorul unei chei de 11/16 țoli.
8. Demontați eclisa arzătorului din bujia de aprindere.
9. Curățați electrozii bujiei și îi reglați la distanța de 1,40 mm.
10. Montați eclisa arzătorului pe bujia de aprindere. Rotiți eclisa arzătorului până când aceasta va atinge electrozidul bujiei. (consultați desenul 13).

11. Fixați stabil bujia de aprindere cu piulița de fixare.
12. Eliberați capul hexagonal al bujiei din menghină.
13. Montați eclisa arzătorului pe camera de ardere.
14. Montați cuplajul bujiei pe bujia de aprindere.
15. Cuplați conducta de alimentare cu combustibil și conducta de aer la sistemul duzei.
16. Fixați ventilatorul (consultați pagina 5).
17. Fixați capacul ventilatorului și capacul superior.

(vezi figurile 11, pagina 2)

A. Camera de ardere, **B.** Piuliță pentru montarea bujiei, **C.** Eclisa arzătorului, **D.** Bujie de aprindere, **E.** Racordul bujiei de aprindere, **F.** Sistemul duzei arzătorului, **G.** Furtun de combustibil, **H.** Furtun de aer

(vezi figurile 12, pagina 2)

A. Îndoți aici pentru a adapta distanța dintre electrode

(vezi figurile 13, pagina 3)

A. Eclisa arzătorului

BUJIA DE APRINDERE (modelele 20/ 29/ 44kW)

1. Demontați capacul superior (consultați pagina 2).
2. Scoateți ventilatorul (consultați pagina 4).
3. Scoateți cuplajul bujiei din bujia de aprindere.
4. Scoateți bujia de aprindere din capătul arzătorului, folosind o cheie de 13/16 țoli.
5. Curățați electrozidul bujiei și amplasați-l la distanța de: modelele 20kW, 29kW: 1,90 mm modelele 44kW: 2,80 mm
6. Montați bujia de aprindere în capătul arzătorului.
7. Montați cuplajul bujiei pe bujia de aprindere.
8. Fixați ventilatorul (consultați pagina 4).
9. Fixați capacul ventilatorului și capacul superior.

(vezi figurile 14, pagina 3)

A. Capul arzătorului, **B.** Racordul bujiei de aprindere, **C.** Bujie

(vezi figurile 15, pagina 3)

A. Îndoți aici pentru a adapta distanța dintre electrode, **B.** Distanța

FILTRUL DE IEȘIRE A AERULUI, FILTRUL DE INTRARE A AERULUI ȘI FILTRUL DIN FIBRĂ

1. Demontați capacul superior (consultați pagina 2).
 2. Demontați șuruburile din eclisa din capătul filtrului, folosind cheia de 5/16 țoli.
 3. Scoateți eclisa din capătul filtrului.
 4. Schimbați filtrul de ieșire al aerului și filtrul din fibră.
 5. Clătiți sau schimbați filtrul de intrare a aerului (Consultați Conservarea curentă, pagina 3)
 6. Montați eclisa în capătul filtrului.
 7. Fixați capacul ventilatorului și capacul superior.
- IMPORTANT: Nu trebuie să lubrifiați filtrele.**

REGLAREA PRESIUNII ÎN POMPĂ

1. Scoateți bușonul de presiunea de pe suportul din capătul filtrului.
2. Instalați presometrul adițional (piesa HA1180).
3. Porniți încălzitorul (consultați Funcționarea, pagina 4). Așteptați până motorul atinge puterea maximă.
4. Reglați presiunea. Rotiți supapa de preaplin la dreapta pentru a mări presiunea. Rotiți supapa de preaplin la stânga pentru a micșora presiunea.
5. Vedeți specificația de pe partea dreaptă pentru a afla presiunea adecvată pentru fiecare model.
6. Deconectați presometrul. Montați bușonul de presiune pe suportul din capătul filtrului.

(vezi figurile 16 e 17, pagina 3)

A. Filtru intrare aer, **B.** Eclisă în capătul filtrului, **C.** Scutul ventilatorului, **D.** Filtru ieșire aer, **E.** Filtru din fibră.

Modelul	Presiunea în pompă (Bar/PSI)
10 kW	0,207 / 3
20 kW	0,365 / 5,3
29 kW	0,275 / 4
44 kW	0,337 / 4,9

(vezi figurile 18, pagina 3)

A. Bușon de presiune, B. Supapă de preaplin, C. (Modelele prezentate -10kW, 20kW)

(vezi figurile 19, pagina 3)

A. Presometru

DUZA ARZĂTORULUI (modelul 10kW)

1. Demontați capacul superior (consultați pagina 2).
2. Scoateți ventilatorul (consultați pagina 5).
3. Scoateți conducta de alimentare cu combustibil și conducta de aer din sistemul duzei arzătorului.
4. Pentru a scoate sistemul arzătorului, rotiți-l cu ¼ de cerc în stânga și trageți de el în direcția motorului.
5. Fixați hexagonul din plastic în menghină și strângeți-l încet.
6. Scoateți încet duza arzătorului din cuplajul duzei cu ajutorul unei chei de 5/8 țoli.
7. Curățați partea frontală a duzei cu aer comprimat. Acest lucru va îndepărta toate impuritățile care se găsesc în zona duzei.
8. Verificați dacă garnitura duzei nu a fost avariată.
9. Introduceți duza în elementul de cuplare, astfel încât să fie fixată în acesta. Rotiți-o cu 1/3 de cerc, cu ajutorul unei chei tubulare
10. 5/8 țoli (4,50-5,10 n-m/40-45 inchpounds).
11. Fixați sistemul duzei pe suportul arzătorului.
12. Cuplați conducta de alimentare cu combustibil și conducta de aer la sistemul duzei.
13. Fixați ventilatorul (consultați pagina 5).
14. Fixați capacul ventilatorului și capacul superior.

(vezi figurile 20 e 21, pagina 3)

A. Camera de ardere, B. Eclisa arzătorului, C. Sistemul duzei arzătorului, D. Furtun de combustibil, E. Furtun de aer

(vezi figurile 22, pagina 3)

A. Capul duzei arzătorului, B. Garnitura duzei, C. Fixarea furtunului de combustibil, D. Fixarea furtunului de aer, E. Cuplajul reductor al duzei, F. Duza arzătorului

DUZA ARZĂTORULUI (modelele 20/ 29/ 44kW)

1. Demontați capacul superior (consultați pagina 2).
2. Scoateți ventilatorul (consultați pagina 5).
3. Scoateți conducta de alimentare cu combustibil și conducta de aer din sistemul duzei arzătorului.
4. Scoateți cuplajul bujiei din bujia de aprindere.
5. Scoateți bujia de aprindere din capătul arzătorului, folosind o cheie de 13/16 țoli.
6. Scoateți cele trei șuruburi cu ajutorul unei chei de 5/6 țoli și demontați capul arzătorului din camera de ardere.
7. Fixați capul arzătorului în menghină și apăsați delicat.
8. Folosind o cheie de 5/8 țoli, cu grijă, decuplați duza de la capul arzătorului (vezi figura 24).
9. Curățați partea frontală a duzei cu aer comprimat. Acest lucru va îndepărta toate impuritățile care se găsesc în zona duzei.
10. Verificați dacă garnitura duzei nu a fost avariată.
11. Fixați duza arzătorului în capul arzătorului și apăsați-o bine (9,10-12,40 nm/80-110 inch-pounds).
12. Montați capul arzătorului pe camera de ardere.
13. Montați bujia de aprindere în capătul arzătorului.
14. Montați cuplajul bujiei pe bujia de aprindere.
15. Montați conducta de alimentare cu combustibil și conducta de aer în capul arzătorului.
16. Fixați ventilatorul (consultați pagina 5).
17. Fixați capacul ventilatorului și capacul superior.

(vezi figurile 23, pagina 3)

A. Camera de ardere, B. Capul arzătorului, C. Racordul bujiei de aprindere, D. Bujie, E. Furtun de combustibil, F. Furtun de aer.

(vezi figurile 24, pagina 3)

A. Capul duzei arzătorului, B. Garnitura duzei, C. Fixarea furtunului de combustibil, D. Fixarea furtunului de aer, E. Capul arzătorului, F. Duza arzătorului.

ROTORUL POMPEI (Operațiunile care trebuie efectuate în cazul blocării rotorului)

1. Demontați capacul superior (consultați pagina 2).
2. Demontați șuruburile din eclisa din capătul filtrului, folosind cheia de 5/16 țoli.
3. Scoateți eclisa din capătul filtrului și filtrele de aer.
4. Demontați șuruburile din placa pompei, folosind cheia de 5/16 țoli.
5. Scoateți placa pompei.
6. Scoateți rotorul, capsula și paletetele.
7. Verificați dacă în pompă nu sunt depuneri. Dacă observați depuneri înlăturați-le cu aer comprimat.
8. Montați capsula și rotorul.
9. Verificați poziția rotorului. Dacă trebuie corectată poziția acestuia pentru a avea 0,076/0,101 mm în cel mai strâmt loc (vezi fig.27).
10. Atenție: Executați o rotație completă a rotorului pentru a vă asigura că distanța în cel mai strâmt loc este de 0,076/0,101 mm. Dacă trebuie, reglați distanța din nou.
11. Montați paletetele, placa pompei, filtrele de aer și eclisa filtrului.
12. Fixați capacul ventilatorului și capacul superior.
13. Reglați presiunea din pompă (vezi pagina 4).
14. Atenție: Dacă rotorul se blochează în continuare, procedați conform instrucțiunilor de mai jos.
15. Efectuați operațiunile de la punctele 1 – 6 de mai sus.
16. Pe o suprafață orizontală puneți o bucată de hârtie abrazivă (rugozitate 600). Șlefuiți delicat rotorul efectuând patru opturi pe hârtia abrazivă (vezi desenul 28).
17. Montați din nou capsula și rotorul.
18. Efectuați operațiunile de la punctele 10 – 12 de mai sus.

(vezi figurile 25 e 26, pagina 3)

A. Paleta, B. Placa pompei, C. Filtru intrare aer, D. Eclisă în capătul filtrului, E. Scutul ventilatorului, F. Filtru ieșire aer, G. Rotorul, H. Capsulă.

(vezi figurile 27, pagina 4)

A. Șurubul de reglare a dimensiunii, B. Dimensiunea 0,076/0,101 mm măsurată cu șublerul de adâncime, C. Paleta

(vezi figurile 28, pagina 4)

A. Hârtie abrazivă

VENTILATORUL

IMPORTANT: Demontați ventilatorul de pe axul motorului înainte de demontarea motorului. Lăsând motorul greu pe ventilator ați putea să avariați ghintul ventilatorului.

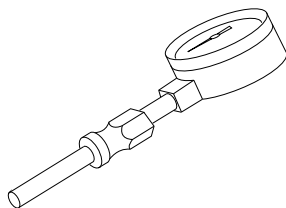
1. Demontați capacul superior (consultați pagina 4).
2. Cu ajutorul unei chei hexagonale de 2,5 țoli slăbiți șurubul de strângere care leagă ventilatorul de axul motorului.
3. Scoateți ventilatorul de pe axul motorului.
4. Curățați ventilatorul folosind o cârpă moale umezită cu motorină sau diluant.
5. Uscați foarte bine ventilatorul.
6. Montați ventilatorul din nou pe axul motorului. Fixați planul frontal al butucului ventilatorului paralel cu planul capătului axului motorului (vezi figura 30).
7. Fixați șurubul de strângere pe planul axului. Strângeți puternic șurubul de strângere (40-50 inchpounds/4.5- 5.6 n-m).
8. Montați capacul ventilatorului și capacul superior.

(vezi figurile 29 e 30, pagina 4)

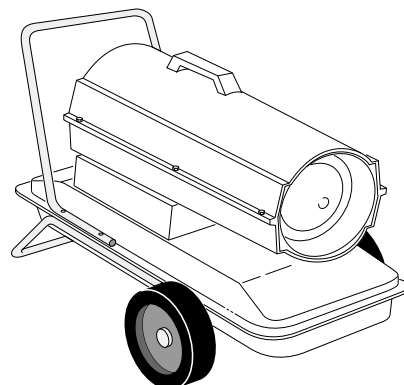
A. Ventilatorul, B. Axul motorului, C. Șurub de strângere, D. Amplasați în același plan

DOTAREA ADIȚIONALĂ

Accesoriiile adiționale pot fi achiziționate de la distribuitorii regionali.

**Manometru - 4 109.427**

Este adaptat pentru toate modelele. Se folosește pentru verificarea presiunii din pompă.

**SET STANDARD DE ROȚI CU SUPORT -
4103.930**

Face ca încălzitorul să fie și mai simplu de mutat. Se strânge foarte ușor.

Pentru modelele 10kW, 20kW.

GARANȚIA ȘI SERVICIILE DE REPARARE**GARANȚIA DE UN AN ESTE OFERITĂ PENTRU DOTAREA DE BAZĂ A ÎNCĂLZITORULUI**

DESA Italia oferă garanția reparației tuturor greșelilor de fabricație sau legate de greșelile de fabricație din produsul achiziționat, timp de un an de la data livrării produsului primului utilizator sub următoarele condiții:

Orice responsabilitate din partea companiei DESA Italia care reiese din această garanție este limitată doar la reparația sau schimbarea, după voința DESA Italia, a oricărei piese în care au apărut defecțiuni cauzate de materialul de fabricație sau orice defecțiuni cauzate de transport. Aceste piese trebuie expediate (transportul este inclus în garanție) unui centru de depanare autorizat sau la fabrică, în timpul orelor obișnuite de funcționare. Garanția nu acoperă piesele sau accesoriile adiționale care nu sunt produse de către DESA Italia dar care au garanția producătorului lor, nici întreținerea periodică (ca de exemplu reglarea presiunii) sau piesele de schimb pentru întreținerea periodică (de exemplu filtrele sau bujiile). Piesele de schimb sau de reparat care sunt incluse în acest produs și sunt acoperite de această garanție sunt supuse condițiilor de garanție doar în perioada de valabilitate a acestei garanții, ca și cum ar fi piese originale componente ale produsului în cauză. DESA ITALIA NU EMITE VREO ALTĂ GARANȚIE. CONFORM LEGILOR ÎN VIGOARE DESA ITALIA NU ASIGURĂ SERVICIILE POST GARANȚIE ȘI NICI NU OFERĂ VREO GARANȚIE ADIȚIONALĂ PENTRU POSIBILITATEA DE RETURNARE A PRODUSULUI SAU PENTRU GARANTAREA UTILITĂȚII PRODUSULUI

PENTRU ANUMITE SCOPURI. ÎN ORICE SITUAȚIE SERVICIILE DE GARANȚIE, INCLUSIV GARANȚIA DE RETURNARE ȘI GARANȚIA DE UTILITATE A PRODUSULUI SUNT LIMITATE LA PERIOADA DE VALABILITATE A ACESTEI GARANȚII.

Toate costurile de transportare, de instalare, taxele vamale, taxele de stat sau alte costuri vor fi suportate de către utilizator. În cadrul acestei garanții DESA Italia nu își asumă responsabilitatea pentru orice pagube sau întâzieri, directe, indirecte sau cazuale rezultate din aceasta. La cererea explicită a DESA Italia, produsele sau piesele cărora li se aplică condițiile de garanție trebuie trimise la fabrică pe cheltuiala clientului. Orice utilizare neconformă, inclusiv utilizarea produsului după descoperirea defectelor sau a uzării pieselor, suprasolicitarea echipamentului, schimbul de piese cu altele decât cele certificate de către DESA Italia precum și orice fel de prelucrări și reparații realizate de către terți, într-un mod care conform opiniei DESA Italia doar au înrăutățit situația fac ca această garanție să nu fie considerată valabilă.

NICI UN ANGAJAT SAU REPREZENTANT COMERCIAL AL FIRMEI NU ESTE ÎMPUTERNICIT SĂ SCHIMBE ACEASTĂ GARANȚIE ÎN NICI UN FEL; LA FEL NU ESTE AUTORIZAT SĂ OFERE VREO ALTĂ GARANȚIE ÎN ORICE MOD, DOAR DACĂ ACEASTĂ SCHIMBARE A FOST FĂCUTĂ ÎN FORMĂ SCRISĂ ȘI SEMNATĂ DE CĂTRE FUNCȚIONARUL ÎMPUTERNICIT DE DESA ITALIA LA FILIALA DIN ȚARA SA.

SERVICE-UL ÎN GARANȚIE

Întotdeauna trebuie să precizați numărul și seria modelului când contactați fabrica.

Ne rezervăm dreptul de a schimba aceste condiții în orice clipă, fără notificare prealabilă. Singura garanție valabilă este garanția noastră standard în scris. Nu oferim nici un alt fel de garanție declarată sau implicată.

Pentru a primi instrucțiunile de utilizare trebuie să vă adresați Departamentului Serviciului Tehnic la adresa:

ПРЕНОСИМИ ВЕНТИЛАТОРНИ ВЪЗДУШНИ ОТОПЛИТЕЛИ

ИНСТРУКЦИЯ ЗА ЕКСПЛОАТАЦИЯ

ВАЖНО: Преди монтаж, настройка и експлоатация или поддръжка на въздушния отоплител внимателно трябва да се прочете и разбере цялата информация поместена в тази инструкция за експлоатация. Неправилната експлоатация на отоплителя може да доведе до сериозни наранявания. Инструкцията трябва да се съхрани за бъдещо ползване.

МЕРКИ ЗА БЕЗОПАСНОСТ

⚠ ПРЕДУПРЕЖДЕНИЯ

ВАЖНО: Преди монтаж, настройка и експлоатация или поддръжка на въздушния отоплител внимателно трябва да се прочете и разбере цялата информация поместена в тази инструкция за експлоатация. Неправилната експлоатация на отоплителя може да доведе до сериозни наранявания, в резултат на изгаряне, пожар, експлозия, токов удар или отравяне с въглероден окис.

ОПАСНОСТ: Задушаването с въглероден окис може да доведе до смърт!

Задушаване с въглероден окис: Първите признаци на задушаване с въглероден окис наподобяват симптоми на грип и се характеризират с главоболие, световъртеж и/или прилошаване. Тези признаци могат да бъдат причинени от неправилното функциониране на отоплителя.

Трябва веднага да се излезе на чист въздух! Отоплителят трябва да се ремонтира. Някои по-силно усещат действието на въглеродния окис, особено бременните жени, сърдечно болните, страдащите от белодробни болести и анемия, а също така алкохолиците, както и тези намиращи се на места високо над морското равнище.

Потребителят на отоплителя трябва да прочете и разбере всички предупреждения и да съхранява инструкцията на безопасно място с цел бъдещ преглед. Потребителят ще открие в нея инструкции относно безопасната и правилна експлоатация на отоплителя.

- За да се намали риска от пожар или експлозия, за зареждане трябва да се използва само нефта номер 1 или дизелово гориво. Забранява се използването на бензин, нефта, разреждители за бои и лакове, алкохол или други леснозапалими субстанции.
- Зареждане на резервоара
 - а) Персоналът, отговорен за зареждането с гориво трябва да бъде квалифициран и напълно запознат с препоръките на производителя, както и с нормите относно безопасното зареждане на резервоара на отоплителя.
 - б) Да се използва само такъв тип гориво, какъвто е посочен на идентификационната табелка на отоплителя.
 - в) Преди започване на зареждане на резервоара трябва да се изгасят всички пламъци, както и контролният пламък и отоплителят да се остави да се охлади.
 - г) По време на зареждане на резервоара трябва да се провери уплътнението на всички горивни маркучи както и свързките им. Всякакви неуплътнения трябва да бъдат отстранени преди повторно стартиране на отоплителя.
 - д) В никакъв случай, в същата сграда или в близост до отоплителя не трябва да се съхранява по-голямо количество гориво от нужното за еднодневна експлоатация. Резервоарите за съхранение на гориво трябва да се намират в друга сграда.
 - е) Всички резервоари за гориво трябва да се намират на безопасно разстояние от поне 8 м от отоплителя, както и от водородо-кислородни горелки, уреди за заваряване и подобни източници на запалване (с изключение на резервоара за гориво, намиращ се в отоплителя).
 - ж) Ако е възможно, горивото трябва да се съхранява в помещения, в които настилката не улеснява разпространяването или попиването на гориво при евентуално разливане или теч, тъй като това може стане причина за пожар.
 - з) Помещението за съхранение на гориво трябва да изпълнява

изискванията на актуалните задължаващи норми.

- Забранява се използването на отоплителя в помещения, където има бензин, разреждители за бои или други леснозапалими субстанции.
- По време на експлоатация на отоплителя трябва да се спазват всички местни разпоредби и актуални задължаващи норми и закони.
- Отоплителите употребявани в близост до импрегниран брезент, платно или други подобни защитни материали трябва да бъдат преместени на безопасно разстояние един от друг. Препоръчителното минимално безопасно разстояние е 3 м. Освен това се препоръчва използването на огнеупорни материали. Материалите трябва да бъдат добре закрепени, за да се избегне евентуалното им запалване или смущаване на работата на отоплителя, в резултат на рязко движение на въздуха.
- Отоплителят трябва да се експлоатира само в добре проветриви помещения. Необходимо е осигуряването на съответен отвор или инсталация, която да допуска приток на свеж въздух – поне 2.800 см² на всяка часова мощност 29kW.
- Отоплителят не трябва да се експлоатира на места с лесногорими изпарения и на места с големи количества прах.
- Отоплителят трябва да се захранва само с ток с напрежение и честота, посочени в идентификационната табелка.
- Да се използват само удължители с три гнезда и със заземяване.
- Минималното безопасно разстояние на отоплителя от леснозапалими материали и субстанции: от изхода: 2,5 м, от повърхността на страничните стени, отгоре и отзад: 1,3 м.
- Отоплителят трябва да се постави на стабилна и вертикална повърхност, когато е топъл или когато работи. Това има за цел предотвратяване на опасността от пожар.
- Когато се премества или ремонтира трябва винаги да бъде във вертикално положение за да се предотврати изтичането на гориво.
- Да не се допускат деца или животни в близост до отоплителя.
- Когато не се експлоатира, отоплителят трябва да бъде изключен от източника на ел. захранване.
- Ако отоплителят се управлява с термостат може да се стартира по всяко време
- Отоплителят не трябва в никакъв случай да се използва в жилищни помещения.
- Забранено е блокирането на входящия въздух (отзад) или изходящия въздух (отпред) на отоплителя.
- Забранява се преместването, зареждането с гориво или ремонт на отоплителя, когато е горещ, когато работи или когато е свързан към източник на ел. захранване.
- Забранено е включването на каквито и да е допълнителни въздушни вентилации на входа и на изхода за въздух.

СХЕМИ НА МОДЕЛИТЕ

(виж Фиг. 1 и 2, стр. 2)

A.Изход на горещ въздух, **B.**Държач, **C.**Предпазен капак на вентилатора, **E.**Капачка на резервоара, **F.**Електрически кабел, **G.**Превключвател ON/OFF, **H.**Страничен капак, **I.**Резервоар за гориво, **L.**Долен капак, **M.**Горен капак, **N.**Бутон за рестартиране на системата за контрол на пламъка.

РАЗОПАКОВАНЕ

1. Да се отстрани предпазната опаковка използвана по време на транспорт на отоплителя.
2. Да се извадят всички части от кашона.

3. Да се провери дали някои от тях не са се повредили по време на транспорт В случай на повреда, трябва веднага да се свържете с магазина, в който е била направена покупката.

ГОРИВО

ПРЕДУПРЕЖДЕНИЕ: За да се намали риска от пожар или експлозия, за зареждане трябва да се използва само нафта номер 1 или дизелово гориво. Забранява се използването на бензин, нафта, разреждители за бои и лакове, алкохол или други леснозапалими субстанции.

Забранява се използването на тежки горива като нафта номер 2 или дизел номер 2. Използването на тежки горива може да бъде причина за:

- блокиране на филтъра и дюзата за гориво,
- създаване на нагар върху запалителната свещ,
- необходимост за използване на нетоксичен антифриз при ниски температури.

ВАЖНО: Трябва да се използва САМО резервоара предназначения за съхранение на ДИЗЕЛОВОТО ГОРИВО. Трябва да се уверите дали резервоара е чист. Чужди тела като ръжда, замърсяване или вода ще доведат до изключване на отоплителя чрез системата за контрол на пламъка. Чуждите субстанции могат също така да доведат до необходимост от често почистване на горивната система.

МОНТАЖ (САМО ЗА МОДЕЛИ 29/ 44kW)

Тези модели са снабдени с колелца и държачи. Колелцата, държачите и другите части за монтаж се намират в кашона. Необходими инструменти

- Средна големина отвертка тип Филипс
- Разтварящ се гаечен ключ или с отвор 3/8 инча
- Чук

1. Вкарайте оста поддържаща колелцата. Монтирайте колелцата на оста. **ВАЖНО:** По време на монтаж на колелцата трябва да позиционирате удълженията на главините на колелцата по посока на оста (виж Фиг. 4)
2. Поставете калпаковидните гайки на краищата на оста. Деликатно ги чукнете с чука за да се наместват.
3. Поставете отоплителя на носещата рама с колелцата Уверете се, че изхода на въздуха на отоплителя (отзад) се намира над колелцата. Напаснете отворите на фланеца на резервоара за гориво с отворите в носещата рама с колелцата.
4. Поставете предния и задния държач върху горната повърхност на фланеца на резервоара за гориво. Прекарайте болтовете през държачите, фланеца на резервоара за гориво и през носещата рама с колелцата На всеки болт поставете гайка и ръчно я завийте.
5. След монтиране на всички болтове силно затегнете гайките.

(виж Фиг. 3, стр. 2)

A. Изход на горещ въздух, **B.** Болт, **C.** Преден държач, **D.** Заден държач, **E.** Вход на въздуха, **F.** Удължение на главините, **G.** Ос, **H.** Колелце, **I.** Гайка, **L.** Калпаковидна гайка, **M.** Носеща рама с колелца, **N.** Фланец на резервоара за гориво.

ПРОВЕТРЯВАНЕ

ПРЕДУПРЕЖДЕНИЕ: Трябва да се спазват изискванията относно минималното проветряване на отопляваните помещения. При недостатъчно количество свеж въздух може да се задушите с въглероден окис. Преди стартиране на отоплителя трябва да се осигури съответното проветряване със свеж въздух отвън.

Необходимо е осигуряването на съответен отвор или инсталация, която да допуска приток на свеж въздух – поне 2.800 см² на всяка часова мощност 29kW. При няколко работещи отоплителя трябва да се осигури съответно

ПРИНЦИП НА ДЕЙСТВИЕ ЕКСПЛОАТАЦИЯ

повече свеж въздух.

Пример: Отоплителят 44kW трябва да изпълнява едно от условията:

- вратата на гараж за два автомобила трябва да бъде повдигната на височина 15 см
- вратата на гараж за един автомобил трябва да бъде повдигната на височина 23 см
- два прозореца с широчина 76 см, всяко повдигнато на височина 31 см

ПРИНЦИП НА ДЕЙСТВИЕ

Горивна система: Въздушната помпа вкарва въздуха през въздушния канал. След това въздуха минава през дюзата на горелката. Въздухът предизвиква засмукване на гориво от резервоара. Засмукваното гориво се впръсква в горивната камера.

Въздушна система: Вентилаторът се върти с помощта на двигател. Вентилаторът вкарва въздуха в горивната камера и около нея. Нагретият въздух излиза като поток чист, горещ въздух.

Система на запалване: Електронният стартер подава напрежение на запалителната свещ. Горивно-въздушната смес се запалва.

Система за контрол на пламъка: Тази система води до изключване на отоплителя при изгасване на пламъка.

(виж Фиг. 4, стр. 2)

A. Вход на чист горещ въздух, **B.** Горивна камера, **C.** Запалителна свещ, **D.** Глава на горелката, **E.** Вентилатор, **F.** Двигател, **G.** Въздушна помпа, **H.** Филтър на входящия въздух, **I.** Вход на студен въздух, **L.** Филтър на изходящия въздух, **M.** Електронен стартер, **N.** Въздушен канал към горелката, **O.** Горивен филтър, **P.** Дюза на горелката, **Q.** Резервоар за гориво, **R.** Въздух към горивната система, **S.** Въздух за горене и отопляване, **T.** Гориво.

ЕКСПЛОАТАЦИЯ

ПРЕДУПРЕЖДЕНИЕ: Преди започване на работа на отоплителя, внимателно трябва да се прочетат и разберат всички предупреждения описани в раздела за безопасна експлоатация на отоплителя. Тази информация е задължителна за правилната експлоатация на отоплителя. Също така трябва да се спазват всички местни разпоредби.

За да включите отоплителя трябва:

1. Да се спазват всички изисквания относно вентилацията и безопасността.
2. Да напълните резервоара с дизелово гориво или нафта номер 1.
3. Да завийте капачката на резервоара за гориво.
4. Да включите щепсела на отоплителя в стандартно заземено ел. гнездо 230V/50Hz. Ако е необходимо, можете да използвате удължител. Да се използват само удължители с три гнезда и със заземяване.

Изисквания относно размера на ел. кабел в удължителя:

- дължина до 30 м – кабел със сечение 1,00 мм² (16 AWG)
 - дължина от 31 до 61 м – кабел със сечение 1,50 мм² (14 AWG)
- Позиционирайте превключвателя ON/OFF на ON и отоплителят трябва да се стартира. Ако не се стартира, натиснете бутона за рестартиране на системата за контрол на пламъка (виж Фиг. 5 и 6).

За да изключите отоплителя трябва:

1. Да позиционирате превключвателя ON/OFF на OFF.

За да включите отново отоплителя трябва:

1. Да изчакате 2 минути от изключването на отоплителя.
2. Да повторите действията описани в точка За да включите отоплителя.

(виж Фиг. 5 и 6, стр. 2)

A. Бутон за рестартиране на системата за контрол на пламъка, **B.** Превключвател ON/OFF.

СЪХРАНЯВАНЕ, ТРАНСПОРТ, ПРЕВОЗ

Внимание: При превоз, транспортните фирми изискват изпразване на резервоарите за гориво.

1. Изпразнете резервоара за гориво. Внимание: Някои модели са снабдени с тапа за изпускане на горивото в долната част на резервоара за гориво. В такъв случай, с цел изпразване на резервоара трябва да отвиете тапата за изпускане на гориво. Ако отоплителят не е снабден с тапа за изпускане на гориво, то трябва да изпразните резервоара през отвора в горната част. Трябва да се уверите дали цялото количество гориво е изпуснато от резервоара.
2. Завийте обратно тапата за изпускане, ако е била използвана.
3. Ако забележите замърсяване в старото гориво, то трябва да

ПЕРИОДИЧНА ПОДДРЪЖКА

ПРЕДУПРЕЖДЕНИЕ: Забранява се поддръжката на отоплителя, когато е горещ, когато работи или когато е свързан към източник на ел. захранване. Това може да доведе до сериозни изгаряния или токов удар.

Част	Колко често	По какъв начин
Резервоар за гориво	Да се промива на всеки 150-200 часа работа или при необходимост.	Виж раздел Съхраняване, транспорт, превоз.
Филтър на изходящия въздух и влакнест филтър	Да се подменят на всеки 500 часа работа или веднъж годишно.	Виж Филтър на изходящия въздух, филтър на входящия въздух и влакнест филтър, стр. 11.
Филтър на входящия въздух	Да се почиства с вода и сапун и да се подсушава на всеки 500 часа работа или при необходимост.	Виж Филтър на изходящия въздух, филтър на входящия въздух и влакнест филтър, стр. 11.
Горивен филтър	Да се почиства два пъти по време на отоплителния сезон или при необходимост.	Виж Горивен филтър, стр. 9.
Запалителна свещ	Да се почиства и уплътнява на всеки 600 часа работа или да се подмени при необходимост.	Виж Запалителна свещ, стр. 10.
Перки на вентилатора	Да се почистват веднъж по време на отоплителния сезон или при необходимост.	Виж Вентилатор, стр. 14.
Двигател	Не е необходима поддръжка. Гресиран завинаги.	

ОТСТРАНЯВАНЕ НА НЕИЗПРАВНОСТИ

ПРЕДУПРЕЖДЕНИЕ: Забранява се поддръжката на отоплителя, когато е горещ, когато работи или когато е включен към източник на ел. захранване. Това може да доведе до сериозни изгаряния или токов удар.

ВЪЗНИКНАЛ ПРОБЛЕМ	ВЪЗМОЖНА ПРИЧИНА	РЕШЕНИЕ
Отоплителят се включва, но след кратък период от време системата за контрол на пламъка го изключва.	<ol style="list-style-type: none"> 1. Лошо налягане в помпата. 2. Замърсен Филтър на изходящия въздух, филтър на входящия въздух и влакнест филтър. 3. Замърсен горивен филтър. 4. Замърсяване на дюзата на горелката. 5. Замърсена фотоклетка. 6. Повредена система за контрол на пламъка. 	<ol style="list-style-type: none"> 1. Виж Регулировка на налягането в помпата, стр. 11. 2. Виж Филтър на изходящия въздух, филтър на входящия въздух и влакнест филтър, стр. 11. 3. Виж Горивен филтър, стр. 9. 4. Виж Дюза на горелката, стр. 12. 5. Почистете фотоклетката. 6. Подменете системата за контрол на пламъка.
Отоплителят не се включва, но двигателят работи за кратък период от време.	<ol style="list-style-type: none"> 1. Лошо налягане в помпата. 2. Нагар на запалителната свещ или неправилна регулировка на разстоянието между електродите. 3. Замърсен горивен филтър. 4. Замърсяване на дюзата на горелката. 5. Вода в резервоара за гориво. 	<ol style="list-style-type: none"> 1. Виж Регулировка на налягането в помпата, стр. 11. 2. Виж Запалителна свещ, стр. 10. 3. Виж Горивен филтър, стр. 9. 4. Виж Дюза на горелката, стр. 12. 5. Изпразни и изплакни резервоара за гориво с чисто дизелово гориво. Виж раздел Съхраняване, транспорт, превоз, стр. 7.
	<p>ПРЕДУПРЕЖДЕНИЕ: Високо напрежение!</p> <ol style="list-style-type: none"> 6. Не заземен електронен стартер. 7. Повреден електронен стартер. 	<ol style="list-style-type: none"> 6. Уверете се, дали стартера е добре монтиран. 7. Подменете електронния стартер.
Двигателят не стартира след включване на отоплителя в ел. мрежа, вентилаторът се върти бавно или въобще не се върти.	<ol style="list-style-type: none"> 1. Не е рестартирана системата за контрол на пламъка. 2. Блокиране на ротора на помпата. 	<ol style="list-style-type: none"> 1. Натиснете бутона за рестартиране на системата за контрол на пламъка, виж Фиг. 5 и 6 на стр. 6. 2. Ако вентилаторът трудно се върти, виж Ротор на помпата на стр. 13.

ЕКСПЛОАТАЦИЯ И РЕМОНТ

ПРЕДУПРЕЖДЕНИЕ: Забранява се поддръжката на отоплителя, когато е горещ, когато работи или когато е включен към източник на ел. захранване. Това може да доведе до сериозни изгаряния или токов удар.

ДЕМОНТАЖ НА ГОРНИЯ КАПАК

1. Извадете болтовете и предпазните шайби, намиращи се от двете страни на отоплителя, използвайки ключ 5/16 инча. Тези болтове свързват горния и долния капак.
2. Свалете горния капак.
3. Свалете предпазния капак на вентилатора.

ГОРИВЕН ФИЛТЪР (МОДЕЛИ 10KW, 20KW)

1. Развийте болтовете на страничния капак, използвайки ключ 5/16 инча.
2. Свалете страничния капак.
3. Изтеглете гумения маркуч за гориво от края на горивния филтър.
4. Внимателно повдигнете и изтеглете тръбната втулка и горивния филтър от резервоара.
5. Изплакнете филтъра с чисто гориво и го поставете обратно в резервоара.
6. Монтирайте гумения маркуч за гориво върху края на горивния филтър.
7. Монтирайте страничния капак.

ГОРИВЕН ФИЛТЪР (МОДЕЛИ 29KW, 44KW)

1. Развийте болтовете на страничния капак, използвайки ключ 5/16 инча.
2. Свалете страничния капак.
3. Извадете гумения маркуч за гориво от края на горивния филтър.
4. Внимателно повдигнете и изтеглете тръбната втулка, долния маркуч за гориво и горивния филтър от резервоара.
5. Изплакнете филтъра с чисто гориво и го поставете обратно в резервоара.
6. Монтирайте гумения маркуч за гориво в края на горивния филтър.
7. Монтирайте страничния капак.

(виж Фиг. 7 и 8, стр. 2)

A. Горен капак, **B.** Предпазен капак на вентилатора

(виж Фиг. 9, стр. 2)

A. Горивен филтър, **B.** Страничен капак, **C.** Маркуч за гориво

(виж Фиг. 10, стр. 2)

A. Горивен филтър, тръбна втулка и долен маркуч за гориво, **B.** Страничен капак, **C.** Маркуч за гориво - горен.

ЗАПАЛИТЕЛНА СВЕЩ (модел 10KW)

1. Свалете горния капак (виж стр. 9).
2. Извадете вентилатора (виж стр.14).
3. Извадете горивния и въздушния маркуч от възела на дюзата.
4. Изтеглете лулата с кабела от запалителната свещ.
5. Развийте двата болта с помощта на ключ 5/16 инча и свалете планката на горелката.
6. Поставете шестостена на свещта в менгеме и го стегнете.
7. Развийте винта закрепящ запалителната свещ с помощта на ключ с отвор 11/16 инча.
8. Свалете планката на горелката от запалителната свещ.
9. Почистете електродите на запалителната свещ и ги фиксирайте обратно на разстояние 1,40 мм.
10. Поставете планката на горелката на запалителната свещ. Въртете планката на горелката докато допре електродите на запалителната свещ. (виж Фиг. 13).
11. Завийте запалителната свещ с закрепяща гайка.
12. Свалете шестостена на свещта от менгемето.
13. Поставете планката на горелката върху горивната камера.

14. Поставете лулата с кабела на запалителната свещ.
15. Свържете горивния и въздушния маркуч към възела на дюзата.
16. Монтирайте вентилатора (виж стр.14).
17. Монтирайте предпазния капак на вентилатора и горния капак.

(виж Фиг. 11, стр. 2)

A. Горивна камера, **B.** Гайка за закрепяне на запалителната свещ, **C.** Планка на горелката, **D.** Запалителна свещ, **E.** Лула с кабел на запалителната свещ, **F.** Възел на дюзата на горелката, **G.** Горивен маркуч, **H.** Въздушен маркуч

(виж Фиг. 12, стр. 3)

A. Огънете на това място за да напаснете разстоянието между електродите, **B.** Разстояние 1,40 мм

(виж Фиг. 13, стр. 3)

A. Планка на горелката

ЗАПАЛИТЕЛНА СВЕЩ (модели 20/ 29/ 44kW)

1. Свалете горния капак (виж стр. 9).
2. Извадете вентилатора (виж стр.14).
3. Изтеглете лулата с кабела от запалителната свещ.
4. Свалете запалителната свещ от горелката използвайки ключ с отвор 13/16 инча.
5. Почистете електродите на запалителната свещ и ги фиксирайте обратно на разстояние; модели 20kW, 29kW: 1,90 мм, модел 44kW: 2,80 мм
6. Монтирайте запалителната свещ върху горелката.
7. Поставете лулата с кабела на запалителната свещ.
8. Монтирайте вентилатора (виж стр.14).
9. Монтирайте предпазния капак на вентилатора и горния капак.

(виж Фиг. 14, стр. 3)

A. Глава на горелката, **B.** Лула с кабел на запалителната свещ, **C.** Запалителна свещ

(виж Фиг. 15, стр. 3)

A. Огънете на това място за да напаснете разстоянието между електродите, **B.** Разстояние

ФИЛТЪР НА ИЗХОДЯЩИЯ ВЪЗДУХ, ФИЛТЪР НА ВХОДЯЩИЯ ВЪЗДУХ И ВЛАКНЕСТ ФИЛТЪР.

1. Свалете горния капак (виж стр. 9).
 2. Развийте болтовете на капака на филтъра, използвайки ключ 5/16 инча.
 3. Свалете капака на филтъра.
 4. Подменете филтъра на изходящия въздух и влакнестия филтър.
 5. Изплакнете и подменете филтъра на входящия въздух (виж Периодична поддръжка, стр. 7).
 6. Монтирайте капака на филтъра.
 7. Монтирайте предпазния капак на вентилатора и горния капак.
- ВАЖНО:** Забранява се смазването на филтрите.

РЕГУЛИРОВКА НА НАЛЯГАНЕТО НА ПОМПАТА

1. Свалете запушалката под налягане от капака на филтъра.
2. Инсталирайте помощен манометър (част HA1180).
3. Включете отоплителя (виж Експлоатация, стр.6). Изчакайте двигателят да достигне максимална мощност.
4. Регулирайте налягането. Завъртете предпазния вентил на дясно за да увеличите налягането. Завъртете предпазния вентил на ляво за да намалите налягането. Вижте спецификациите от дясната страна за правилната регулировка на налягането в зависимост от съответния модел.
5. Изключете манометъра. Поставете запушалката под налягане върху капака на филтъра.

(виж Фиг. 16 и 17, стр. 3)

A. Филтър на входящия въздух, **B.** Планка на края на филтъра, **C.** Предпазен капак на вентилатора, **D.** Филтър на изходящия въздух, **E.** Влакнест филтър.

Модел	Налягане в помпата (PSI/Bar)
10 kW	0,207 / 3
20 kW	0,365 / 5,3
29 kW	0,275 / 4
44 kW	0,337 / 4,9

(виж Фиг. 18, стр. 3)

A. Запушалка под налягане, **B.** Предпазен вентил, **C.** (Представени модели -10kW, 20kW)

(виж Фиг. 19, стр. 3)

A. Манометър

ДЮЗА НА ГОРЕЛКАТА (модел 10kW)

1. Свалете горния капак (виж стр. 9).
2. Извадете вентилатора (виж стр.14).
3. Извадете горивния и въздушния маркуч от възела на дюзата.
4. Завъртете възела на дюзата на горелката на 1 / 4 оборот наляво и дръпнете по посока на двигателя с цел изваждане.
5. Поставете пластмасовия шестостен в менгеме и леко го затегнете.
6. Внимателно извадете дюзата на горелката от тръбната втулка с помощта на глух гаечен ключ с отвор 5/8 инча.
7. Продушайте със сгъстен въздух леглото на дюзата. Почистете всички замърсявания на дюзата.
8. Проверете дали уплътнението на дюзата не е повредено.
9. Поставете дюзата във втулката, така че да легне в нея. Затегнете я, завивайки на 1/3 оборот използвайки глух гаечен ключ 5/8 инча (4,50-5,10 n-m).
10. Монтирайте възела на дюзата върху планката на горелката.
11. Свържете горивния и въздушния маркуч към възела на дюзата.
12. Монтирайте вентилатора (виж стр.14).
13. Монтирайте предпазния капак на вентилатора и горния капак.

(виж Фиг. 20 и 21, стр. 3)

A. Горивна камера, **B.** Планка на горелката, **C.** Възел на дюзата на горелката, **D.** Горивен маркуч, **E.** Въздушен маркуч

(виж Фиг. 22, стр. 3)

A.Глава на дюзата на горелката, **B.**Уплътнение на дюзата, **C.**3 акрепяне на маркуча за гориво, **D.**Закрепяне на въздушния маркуч, **E.**Тръбна втулка на дюзата, **F.**Дюза на горелката

ДЮЗА НА ГОРЕЛКАТА (модел 20/ 29/ 44kW)

1. Свалете горния капак (виж стр. 9).
2. Извадете вентилатора (виж стр.14).
3. Извадете горивния и въздушния маркуч от главата на горелката.
4. Изтеглете лулата с кабела от запалителната свещ.
5. Свалете запалителната свещ от горелката използвайки ключ с отвор 13/16 инча.
6. Развийте трите болта с помощта на ключ 5/6 инча и свалете главата на горелката от горивната камера.
7. Поставете главата на горелката в менгеме и леко затегнете.
8. Внимателно свалете дюзата от главата на горелката, използвайки глух гаечен ключ 5/8 инча (виж Фиг. 24).
9. Продушайте със сгъстен въздух леглото на дюзата. Почистете всички замърсявания на дюзата.
10. Проверете дали уплътнението на дюзата не е повредено.
11. Поставете дюзата на горелката върху главата на горелката и силно затегнете (9,10-12,40 nm/80-110 inch-pounds).
12. Монтирайте главата на горелката в горивната камера.
13. Монтирайте запалителната свещ върху горелката.
14. Поставете лулата с кабела на запалителната свещ.
15. Свържете горивния и въздушния маркуч към главата на горелката.
16. Монтирайте вентилатора (виж стр.14).
17. Монтирайте предпазния капак на вентилатора и горния капак.

(виж Фиг. 23, стр. 3)

A. Горивна камера, **B.** Глава на горелката, **C.** Лула с кабел

на запалителната свещ, **D.** Запалителна свещ, **E.** Горивен маркуч, **F.** Въздушен маркуч.

(виж Фиг. 24, стр. 3)

A.Глава на дюзата на горелката, **B.**Уплътнение на дюзата, **C.** Закрепяне на маркуча за гориво, **D.**Закрепяне на въздушния маркуч, **E.**Глава на горелката, **F.**Дюза на горелката

РОТОР НА ПОМПТА

(Действия в случай на блокиране на ротора)

1. Свалете горния капак (виж стр. 9).
2. Развийте болтовете на капака на филтъра, използвайки ключ 5/16 инча.
3. Свалете капака на филтъра и въздушните филтри.
4. Развийте болтовете на пластината на помпата, използвайки ключ 5/16 инча.
5. Свалете пластината на помпата.
6. Свалете ротора, вложката и перките.
7. Проверете дали няма утайка в помпата. Ако има, я издухайте със сгъстен въздух.
8. Монтирайте вложката и ротора.
9. Проверете разстоянието на ротора. Ако е необходимо, регулирайте го до 0,076/0,101 ммв най-тесното място (виж Фиг. 27). Внимание: Завъртете ротора с цял оборот за да се уверите дали разстоянието е 0,076/0,101 ммв най-тесното място. Ако е необходимо, регулирайте.
10. Монтирайте перките, пластината на помпата, въздушните филтри, капака на филтъра.
11. Монтирайте предпазния капак на вентилатора и горния капак.
12. Регулирайте налягането в помпата (виж стр.11). Внимание: Ако ротора продължава да блокира, то следвайте долните инструкции.
13. Изпълнете действията описани в точките от 1 до 6.
14. На плоска повърхност поставете парче дребнозърнеста шкурка (шкурка номер 600). Леко изшлайфайте ротора изпълнявайки четири осморки върху шкурката (виж Фиг. 28).
15. Монтирайте отново вложката и ротора.
16. Изпълнете действията описани в точките от 10 до 12.

(виж Фиг. 25 и 26, стр. 3)

A.Перка, **B.**Плоча на помпата, **C.**Филтър на входящия въздух, **D.**Планка на края на филтъра, **E.**Предпазен капак на вентилатора, **F.**Филтър на изходящия въздух, **G.**Ротор, **H.**Вложка.

(виж Фиг. 27, стр. 4)

A. Винт за регулировка на разстоянието, **B.** Разстояние 0,076/ 0,101 ммпремерен с помощта на луфтимер, **C.** Перка

(виж Фиг. 28, стр. 4)

A. Шкурка

ВЕНТИЛАТОР

ВАЖНО: Демонтирайте вентилатора от вала на двигателя преди демонтажа на двигателя от отоплителя. Намирацията се върху вентилатора двигател би могъл да повреди с теглото си резбата на вентилатора.

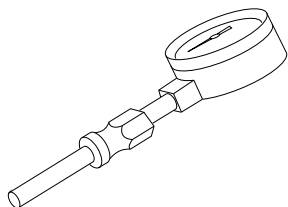
1. Свалете горния капак (виж стр. 9).
2. С помощта на ключ шестостен 2,5 инча развийте затягащия болт, който свързва вентилатора с вала на двигателя.
3. Изтеглете вентилатора от вала на двигателя.
4. Почистете вентилатора използвайки мека кърпа напоена с нафта или разредител.
5. Внимателно изсушете вентилатора.
6. Поставете вентилатора обратно върху вала на двигателя. Закрепете челната плоскост на главината на вентилатора успоредно на челото на края на вала на двигателя (виж Фиг. 30).
7. Поставете затягащия болт на челото на вала. Силно завийте затягащия болт (40-50 inchpounds 4.5- 5.6 n-m).
8. Монтирайте предпазния капак на вентилатора и горния капак.

(виж Фиг. 29 и 30, стр. 4)

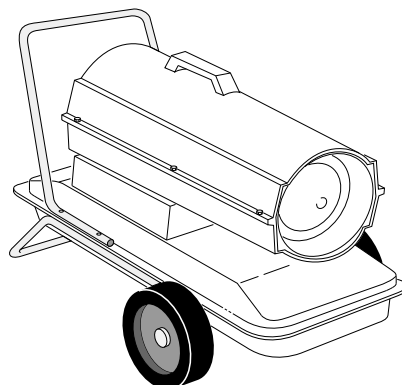
A.Вентилатор, **B.**Вал на двигателя, **C.**Затягащ болт, **D.** Да се позиционира в една плоскост

ДОПЪЛНИТЕЛНО ОБОРУДВАНЕ

Допълнително оборудване можете да закупите при местния дистрибутор.

**МАНОМЕТЪР - 4 109.427**

За всички модели. Служи за проверка на налягането в помпата.

**СТАНДАРТЕН КОМПЛЕКТ КОЛЕЛЦА С ДЪРЖАЧ
- 4103.930**

Дава възможност за бързо и удобно преместване на отоплителя. Лесен за сгъване.
За модели 10kW, 20kW.

ГАРАНЦИЯ И СЕРВИЗ**ЕДНОГОДИШНАТА ГАРАНЦИЯ ОБХВАЩА ОСНОВНОТО ОБОРУДВАНЕ НА ОТОПЛИТЕЛЯ**

DESA Italia гарантира сервиза на всякакви дефекти на материала или дефекти свързани с лошото изпълнение на закупения продукт в период от една година от датата на доставка на продукта на първия му потребител при следните условия:

Всякакви задължения и отговорности от страна на DESA Italia свързани с тази гаранция се ограничават до поправката или подмяната, в зависимост от решението на DESA Italia, на всяка част, където са открити дефекти на материала или каквито и да било дефекти появили се по време на транспорт. Тези части трябва да бъдат доставени (гаранцията обхваща транспорта) до оторизиран сервиз или до фабриката в нормално работно време. Гаранцията не обхваща части или допълнително оборудване, което не е произведено от DESA Italia и което притежава гаранция на производителя си, както и периодична поддръжка (като регулировка на налягането) и части подменени по време на задължителната текуща поддръжка (като филтрите или запалителната свещ). Частите за ремонт или подмяна вградени в това изделие и обхванати от гаранцията са в гаранция само през периода посочен в гаранцията, все едно тези части са оригинални съставни части на изделието, за което става въпрос. DESA ITALIA НЕ ИЗДАВА НИКАКВА ДРУГА ГАРАНЦИЯ. В РАМКИТЕ НА ЗАДЪЛЖИТЕЛНО ДЕЙСТВАЩИТЕ ЗАКОНИ DESA ITALIA НЕ ОСИГУРЯВА ЗАДЪЛЖИТЕЛЕН СЛЕДГАРАНЦИОНЕН СЕРВИЗ, КАКТО И НЕ ДАВА НИКАКВА ГАРАНЦИЯ ЗА ВРЪЩАНЕ ИЛИ ПАЗАРНА РЕАЛИЗАЦИЯ НА ИЗДЕЛИЕТО

ЗА КОНКРЕТНИ ЦЕЛИ. ЗАДЪЛЖИТЕЛНИТЕ ГАРАНЦИОННИ УСЛУГИ, ВКЛЮЧИТЕЛНО ГАРАНЦИЯТА ЗА ВРЪЩАНЕ И ПАЗАРНА РЕАЛИЗАЦИЯ НА ИЗДЕЛИЕТО СА ОГРАНИЧЕНИ ДО ПЕРИОДА НА ВАЛИДНОСТ НА ГАРАНЦИЯТА.

Всякакви разходи по транспорта, монтажа, мита, данъци и всякакви други са за сметка на потребителя. В рамките на гаранцията DESA Italia не поема отговорност за посредствени, непосредствени, случайни или посредствено възникнали повреди и закъснения. При молба от страна на DESA Italia, изделията или частите обхванати от гаранцията трябва да бъдат изпратени на фабриката за сметка на клиента. Всякакво неправилно използване, в това употреба на изделието след откриване на повредени или износени части, свръхнатоварване на уреда, подмяна на части с не препоръчани от DESA Italia, както и всякакви преработки и ремонти направени от други така, че според DESA Italia само са влошили съществуващото положение, ще доведат до невалидност на гаранцията.

НИТО ЕДИН СЛУЖИТЕЛ ИЛИ ТЪРГОВСКИ ПРЕДСТАВИТЕЛ НА ФИРМАТА НЯМА ПРАВО ДА ВЪВЕЖДА ПРОМЕНИ В ТАЗИ ГАРАНЦИЯ ПО КАКЪВТО И ДА Е НАЧИН ИЛИ ДА ИЗДАВА ДРУГА ГАРАНЦИЯ, ОСВЕН АКО ТАКАВА ПРОМЯНА НЕ Е НАПРАВЕНА ПИСМЕНО И ПОДПИСАНА ОТ УПЪЛНОМОЩЕН ОТ DESA ITALIA СЛУЖИТЕЛ В ГЛАВНИЯ ОФИС НА ФИРМАТА.

ГАРАНЦИОНЕН СЕРВИЗ

При контакт с фабриката винаги трябва да се посочи номера и серията на модела.

Резервираме си правото за промяна на горепосочената информация по всяко време без предупреждение. Единствената обвързваща гаранция е нашата стандартна писмена гаранция. Не издаваме никакви други изрични или предполагаеми гаранции.

За Инструкции за експлоатация трябва да се обърнете към Отдела за техническо обслужване в:

PRIJENOSNI VENTILATORSKI GRIJAČI ZRAKA

UPUTA ZA UPORABU

VAŽNO: Preporuča se da detaljno proučite uputu i shvatite je prije instaliranja grijača, njegovog pokretanja i popravka. Nepravilna uporaba grijača može dovesti do ozbiljnih ozljeda tijela. Potrebno je čuvati ovu uputu za kasnija korištenja.

SIGURNOST KORIŠTENJA

!UPOZORENJA

VAŽNO: Preporuča se da detaljno proučite uputu i shvatite je prije instaliranja grijača, njegovog pokretanja i popravka. Nepravilna uporaba grijača može dovesti do ozbiljnih ozljeda tijela, pa čak i smrti usljed opekline, požara, eksplozije, strujnog udara ili trovanja ugljikovim monoksidom.

 **!OPASNOST:** Trovanje ugljikovim monoksidom može izazvati smrt!

Trovanje ugljikovim monoksidom: Prvi znaci trovanja ugljikovim monoksidom podsjećaju na gripu uz bolove glave i mučninu. Ako se pojave gore navedeni simptomi, može se pretpostaviti da grijač radi nepravilno.

Treba odmah udahnuti svježeg zraka! Grijač se mora popraviti. Neke osobe su podložnije trovanju ugljičnim monoksidom, npr. trudnice, srčani, plućni bolesnici i ljudi koji pate od anemije, osobe pod utjecajem alkohola, kao i one koje borave na velikim nadmorskim visinama.

Potrebno je pročitati i razumjeti sva upozorenja sadržana u ovoj uputi i sačuvati je za kasnija korištenja. Ova uputa je vodič za sigurno i valjano korištenje grijača.

- Koristiti isključivo lož-ulje ili lako lož-ulje br. 1, da bi se izbjeglo rizika požara ili eksplozije. Nikada ne koristiti benzin, naftu, razrjeđivače, alkohole ili lako zapaljiva goriva.
- Punjenje gorivom
 - a) Osoblje za punjenje grijača gorivom treba biti školovano i detaljno poznato sa upozorenjima proizvođača, kao i pravilima sigurnog punjenja gorivom grejnih uređaja.
 - b) Koristiti isključivo gorivo naznačeno na nominalnoj tablici grijača.
 - c) Prije punjenja gorivom ugasiti plamen u bilo kakvom obliku, uključivši i kontrolni gasni plamen, a grijač ohladiti.
 - d) Za vrijeme punjenja gorivom posmatrati sve gorivne vodiče i veze gorivnih vodiča, da ne propuštaju. Svako istjecanje popraviti pred novim korištenjem grijača.
 - e) Nikada ne držati unutar zgrade, u blizini grijača, veću zalihu goriva od jednodnevne. Spremnici goriva se trebaju nalaziti izvan zgrade.
 - f) Svi gorivni spremnici trebaju se nalaziti na udaljenosti od najmanje 8 m od grijača, varilačkih uređaja i svih drugih izvora paljenja (izuzetak je spremnik goriva kao sastavni dio grijača).
 - g) U skladu s mogućnostima skladištenje goriva treba se ograničiti do mjesta na kojima stupanj upijanja podloge ne dozvoljava prodiranje goriva na niži nivo ili njegovo paljenje vatrom sa nižih spratova.
 - h) Mjesto spremanja goriva treba urediti u skladu sa mjesnim (lokalnim) propisima.
- Nikada ne koristiti grijače tamo gdje postoje benzinske isparine, isparine razrjeđivača ili drugih lako zapaljivih supstanci.
- Obavezno poštivati sve (mjesne) lokalne propise, kao i upute za korištenje uređaja.
- Grijači korišteni u blizini impregnirane cerade, platna ili sličnih pokrivnih materijala, moraju se nalaziti na sigurnoj udaljeno-

sti od materijala te vrste. Preporuča se najmanja udaljenost od 3 m. Osim toga se preporuča da ti materijali posjeduju umanjenu zapaljivost. Pomenute pokrivne materijale sigurno pričvrstiti da se onemogući njihovo paljenje ili ometanje rada grijača usljed tvorenja zračnih struja.

- Grijače koristiti samo u dobro provjetrenim prostorijama. Prije pokretanja grijača obezbijediti dotok svježeg zraka, kroz otvor površine od najmanje 2.800 cm² za svaku satnu snagu od 29 kW.
- Grijač koristiti isključivo na mjestima bez lako zapaljivih isparjenja ili velike sadržine prašine.
- Grijač priključivati isključivo na izvor struje takovog napona i frekvencije, koji su naznačeni na nominalnoj tablici.
- Koristiti isključivo trostruku, uzemljenu utičnicu.
- Obvezatna minimalna udaljenost grijača od lakozapaljivih materijala i supstanci: na izlazu: 250 cm od površi bočnih stranica, odozgo i odstraga: 125 cm
- Za vrijeme rada grijača ili kada je vruć, postaviti ga na plosnatoj i stabilnoj površi – na taj način izbjegava se požar.
- Za vrijeme premještenja ili skladištenja, grijač držati u okomitom položaju – na taj način izbjegavamo istjecanje goriva.
- Ne dozvoliti pristup djeci i životinjama u blizini grijača.
- Isključiti grijač iz struje, kada se ne rabi.
- Ako je grijač snabdjeven termostatom, može se uključiti bilo kada.
- Nikada ne koristiti grijač u prostorijama za stanovanje.
- Nikada ne blokirati ulazak zraka (straga), niti izlazak zraka (sprijeda).
- Nikada ne pomicati, premješati, puniti gorivom ili popravljati uključeni, vrući ili na struju priključeni grijač.
- Nikada ne priključivati bilo kakve dodatne zračne uređaje bilo na ulasku ili izlasku struje zraka grijača.

SHEME MODELA

(vidi slike 1 i 2, strana 2)

A. Izlaz vrućeg zraka, **B.** Držač, **C.** Štitnik ventilatora, **D.** Coperchio filtri aria, **E.** Gorivni zatvarač, **F.** Električni vodič, **G.** Prekidač UKLJ/ISKLJ, **H.** Bočni poklopac, **I.** Spremnik za gorivo, **L.** Dolnji poklopac, **M.** Gornji poklopac, **N.** Dugme resetovanja kontrole prekida plamena.

RASPAKIVANJE

1. Izvaditi sva sigurnosna pakovanja namijenjena sigurnosti u transportu.
2. Izvaditi sve dijelove iz kutije.
3. Proveriti da nisu oštećeni tijekom transporta. Ako je grijač oštećen, neizostavno obavijestiti dostavljača kod koga je uređaj kupljen.

COMBUSTIBLE

! UPOZORENJE: Koristiti isključivo naftu ili lako lož-ulje br. 1 da bi se izbjegla opasnost od požara ili eksplozije. Nikada ne koristiti benzin, teški benzin, razrjeđivače za boje, alkohol, niti druga, veoma zapaljiva goriva.

Ne koristiti teška goriva, poput lož-ulja br. 2 ili Dizel br. 2. Njihovo korištenje može uzrokovati:

- blokiranje gorivnog filtra i mlaznice.
- taloženje ugljena na svjećici.
- potrebu korištenja netoksičnih sredstava protiv smrzavanja goriva pri iznimno niskim temperaturama.

VAŽNO: Koristiti ISKLJUČIVO spremnik namjenjen čuvanju DIZEL goriva. Provjeriti da li je spremnik čist. Strana tijela poput hrđe, prljavštine ili vode uzrokuju gašenje grijača. Strane supstancije mogu dovesti do potrebe čestog čišćenja gorivnog sustava.

MONTAŽA (SAMO ZA MODELE 29 kW, 44 kW)

Ti su modeli opskrbljeni kotačima i ručicama. Kotači, ručice i ostali dijelovi za montažu spremljeni se u kutiju.

Potrebni alati:

- Odvrtlač srednje veličine tipa Philips
- Francuski ključ ili ključ raspona 3/8 cola
- Čekić

1. Ubaciti osovinu u ram koji nosi kotače. Instalirati kotače na osovinu. **VAŽNO:** Za vrijeme instaliranja kotača, usmjeriti produžetak glavčine kotača u smjeru rama koji nosi kotače (vidi sliku 4).
2. Postaviti kapičaste navrtke na krajevima osovine. Nježno ih udariti čekićem da dođu na svoje mjesto.
3. Postaviti grijač na ram koji nosi kotače. Uvjeriti se da se ulaz zraka grijača (sa zadnje strane) nalazi iznad kotača. Uskladiti otvore na okviru rezervoara za gorivo, sa otvorima na ramu koji nosi kotače.
4. Postaviti prednju i zadnju ručicu na gornjoj površi okvira rezervoara za gorivo. Provući vijke kroz ručice, okvir rezervoara za gorivo i ram koji nosi kotače. Na svaki provučeni vijak snažno rukom pritegnuti navrtku.
5. Kada su svi vijci provučeni, snažno pritegnuti sve navrtke.

(vidi slike 3, strana 2)

A. Uscita aria calda, **B.** Vite, **C.** Impugnatura ant., **D.** Impugnatura post., **E.** Ingresso dell'aria, **F.** Parte sporgente del mozzo, **G.** Asse, **H.** Ruota, **I.** Dado, **L.** Dado cieco, **M.** Telaio di sostegno, **N.** Serbatoio.

PROZRAČIVANJE

!UPOZORENJE: Obavezno poštovati zahtjeve za minimalno prozračivanje grijanih prostorija svježim zrakom izvana. U nedostatku svježeg zraka može doći do trovanja ugljičnim monoksidom. Obezbjediti odgovarajuće prozračivanje svježim zrakom izvana pred pokretanjem uređaja.

Obezbjediti dotok svježeg zraka otvaranjem najmanje 2.800 cm² za svaku satnu produktivnost 29 kW. Kada radi veći broj uređaja obezbjediti proporcionalno više svježeg zraka.

Primjer: Grijač od 44 kW zahtjeva ispunjenje jednog od uslova:

- vrata garaže za dva automobila podignuta do visine 15 cm
- vrata garaže za jedan automobil podignuta do visine 23 cm
- dva prozora širine 76 cm, svaki otvoren 31 cm.

PRINCIP DJELOVANJA

Gorivni sustav: Zračna pumpa potiskuje zrak kroz zračni kanal. Zatim se ga usmjerava ka mlaznici na plameniku. Zrak taj uzrokuje usisavanje goriva iz rezervoara. Sitno raspršeno gorivo je ubrizgavano u komoru za sagorijevanje.

Zračni sustav: Ventilator se pokreće uz pomoć motora. Ventilator potiskuje zrak u komoru za sagorijevanje i unaokolo nje. Ugrijani zrak doprema mlazve čistog, vrućeg zraka.

ČUVANJE, TRANSPORT, POŠILJANJE

Sustav paljenja: Elektronski starter šalje napon na svjećicu. Pali ona gorivno-zračnu mješavinu.

Sustav kontrole gašenja plamena: Taj sustav isključuje grijač kada se plamen ugasi.

(vidi slike 4, strana 2)

A. Uscita aria calda, **B.** Camera di combustione, **C.** Accenditore, **D.** Testina di combustione, **E.** Ventola, **F.** Motore, **G.** Compressore, **H.** Filtro di ingresso aria, **I.** Ingresso aria fredda, **L.** Filtro di uscita aria, **M.** Trasformatore H.T., **N.** Tubo aria, **O.** Filtro combustibile, **P.** Ugello, **Q.** Serbatoio, **R.** Aria per la combustione, **S.** Aria per la combustione e riscaldamento, **T.** Combustibile.

FUNKCIONIRANJE

!UPOZORENJE: Prije korištenja uređaja pročitati i razumjeti sva upozorenja sadržana u dijelu o sigurnosti korištenja uređaja. Te informacije su prijeko potrebne za pravilnu uporabu grijača. Obvezatno poštovati sve lokalne propise.

Za uključiti grijač potrebno je:

1. Poštovati sve preporuke o prozračivanju i sigurnosti.
2. Napuniti spremnik za gorivo dizel gorivom ili lakim lož-uljem br. 1.
3. Zatvoriti zavrtnjem spremnik za gorivo.
4. Uključiti utičnicu grijača u standardnu uzemljenu utičnicu 230/50 Hz. Ako je to neophodno, koristiti produžni kabel. Koristiti isključivo trostruki uzemljeni produžni kabel.

Razmjer električnih vodiča u produžnom kablju

- duljina do 30,5 m – vodič 1,00 mm² (16 AWG)
 - duljina od 30,6 do 61 m – vodič 1,50 mm² (14 AWG)
- Postaviti prekidač UKLJ/ISKLJ na UKLJ i grijač je stavljen u pokret. Ako do toga ne dolazi, natisnuti prekidač resetovanja prekida plamena (vidi slike 5 i 6).

Za isključiti grijač potrebno je:

1. Postaviti prekidač UKLJ/ISKLJ u ISKLJ

Za uključiti ponovno grijač potrebno je:

1. Sačekati 2 minute od isključivanja grijača
2. Ponoviti radnju u skladu sa točkom Za isključiti grijač.

(vidi slike 5 i 6, strana 2)

A. Prekidač resetovanja kontrole prekida plamena, **B.** Prekidač UKLJ/ISKLJ.

ČUVANJE, TRANSPORT, POŠILJANJE

Pažnja: Pri pošiljanju, transportne tvrtke zahtjevaju pražnjenje spremnika za gorivo.

1. Isprazni spremnik za gorivo. **Pažnja:** Neki su modeli opremljeni slivnim čepom na donjem dijelu spremnika za gorivo. U tom slučaju, u cilju pražnjenja spremnika za gorivo, odvrnuti slivni čep. Ako grijač takovi ne posjeduje, isprazniti spremnik gornjim otvorom. Uvjeriti se da je gorivo uklonjeno iz spremnika.
2. Pričvrstiti ponovno slivni čep, ako je bio korišten.
3. Ako je u starom gorivu zamijećen talog, uliti u spremnik 1 ili 2 litre (kvarte) čistog dizela, promiješati i ponovno isprazniti spremnik. Onemogućit će to začepljavanje filtera talogom pri korištenju u budućnosti.
4. Pričvrstiti ponovno čep spremnika za gorivo ili slivni čep. Staro gorivo koristiti u skladu sa propisima. Provjeriti da li lokalne servisne stanice primaju iskorišteno gorivo na preradu i ponovno korištenje.

5. Grijač upotrebljavati na suhom mjestu, uvjerivši se prethodno da nije prašno i da nema isparina koje izazivaju koroziju.

VAŽNO: Ne skladištiti naftu u ljetnjim mjesecima u cilju korištenja sljedeće sezone grijanja.

TEKUĆA ZAŠTITA

!UPOZORENJE: Nikada ne popravljati grijač kada je uključen u struju, za vrijeme rada ili kada je vruć. Može to dovesti do ozbiljnih opekлина ili udara struje.

Dio	Kako često	Na koji način
Spremnik goriva	Ispirati svakih 150-200 radnih sati ili prema potrebi	Vidi Čuvanje, transport, pošiljanje, gore.
Filtar izlaza zraka i tekstilni filtar	Mijenjati svakih 500 sati rada ili jednom godišnje	Vidi <i>Filtar izlaza zraka, filtar ulaza zraka i tekstilni filtar</i> , strana 4.
Filtar ulaza zraka	Ispirati vodom s sapunom i isušiti svakih 500 radnih sati ili prema potrebi	Vidi <i>Filtar izlaza zraka, filtar ulaza zraka i tekstilni filtar</i> , strana 4
Filtar za gorivo	Čistiti dvaput u toku sezone grijanja ili prema potrebi.	Vidi <i>Filtar za gorivo</i> , strana 4.
Svjećica	Čistiti i brtviti svakih 600 sati rada ili mijenjati prema potrebi.	Vidi <i>Svjećica</i> , strana 4.
Lopatice ventilatora	Čistiti jednom u sezoni ili prema potrebi	Vidi <i>Ventilator</i> , strana 5.
Motor	Zaštita nije potrebna. Nauljen za stalno.	

DIJAGNOSTIKA

! UPOZORENJE: Nikada ne popravljati grijač kada je uključen u struju, za vrijeme rada ili kada je vruć. Može to dovesti do ozbiljnih opekлина ili udara struje.

PRIMJEĆENI KVAR	MOGUĆI UZROK	POPRAVKA
Grijač se uključuje, ali posle kratkog vremena kontrola prekida plamena gasi grijač.	<ol style="list-style-type: none"> Loš tlak u pumpi Zaprljan filtar izlaza zraka ili tekstilni filtar Zaprljan filtar za gorivo Nečistoće u mlaznici plamenika Zaprjana leća fotočelija Loša kontrola prekida plamena 	<ol style="list-style-type: none"> Vidi <i>Regulacija tlaka u pumpi</i>, strana 4. Vidi <i>Filtar izlaza zraka, filtar ulaza zraka i tekstilni filtar</i>, strana 4. Vidi <i>Filtar za gorivo</i>, strana 4. Vidi <i>Mlaznik plamenika</i>, strana 5 Očistiti leću fotočelije Zamjeniti kontrolu prekida plamena
Grijač se ne uključuje, ali motor radi nakratko	<ol style="list-style-type: none"> pressione errata della pompa residui di carbonio sulla candela filtro combustibile sporco sporcizia nell'ugello acqua nel serbatoio di combustibile 	<ol style="list-style-type: none"> Vidi <i>Regulacija tlaka u pumpi</i>, strana 4. Vidi <i>Svjećica</i>, strana 4. Vidi <i>Filtar za gorivo</i>, strana 4. Vidi <i>Mlaznik plamenika</i>, strana 5. Isprazniti i isprati spremnik za gorivo čistim dizelom. Vidi Čuvanje, transport, pošiljanje, strana 2.
	<p>! UPOZORENJE: Visoki napon!</p> <ol style="list-style-type: none"> il trasformatore scarica la tensione a terra trasformatore difettoso 	<ol style="list-style-type: none"> Uvjeriti se da li je starter dobro pričvršćen. Zamjeniti elektronski starter
Motor se ne pokreće po priključenju grijača na struju, ventilator se okreće polako ili se ne okreće.	<ol style="list-style-type: none"> Kontrola prekida plamena nije resetovana Prekid rada rotora pumpe. 	<ol style="list-style-type: none"> Natisnuti prekidač za resetovanje kontrole prekida plamena, vidi slike 5 i 6 na strani 2. Ako se ventilator okreće teško, vidi <i>Rotor pumpe</i>, strana 5.

RUKOVANJE I RAD U VEZI S POPRAVKOM

! UPOZORENJE: Nikada ne popravljati grijač kada je uključen u struju, za vrijeme rada ili kada je vruć. Može to dovesti do ozbiljnih opekлина ili udara struje.

SKIDANJE GORNJEG POKLOPCA

1. Izvaditi vijke i sigurnosne podloške s obje strane grijača, koristeći ključ 5/16 cola. Ti vijci povezuju gornji i doljni poklopac.
2. Skinuti gornji poklopac.
3. Skinuti zaštitu ventilatora.

FILTAR ZA GORIVO (modeli 10 kW, 20 kW)

1. Odviti vijke na bočnom poklopcu, koristeći ključ 5/16 cola.
2. Skinuti bočni poklopac.
3. Izvaditi gumeno crijevo za gorivo iz filtra za gorivo.
4. Oprezno odvojiti i izvaditi uređaj za mjerenje protoka goriva i filter za gorivo.
5. Isprati filter čistim gorivom i vratiti ga natrag u spremnik za gorivo.
6. Vratiti gumeno crijevo u filter za gorivo.
7. Pričvrstiti bočni poklopac.

FILTAR ZA GORIVO (modeli 29 kW, 44kW)

1. Odviti vijke na bočnom poklopcu, koristeći ključ 5/16 cola.
2. Skinuti bočni poklopac.
3. Izvaditi gornje crijevo za gorivo iz filtera za gorivo.
4. Oprezno odvojiti i izvaditi uređaj za mjerenje protoka goriva i filter za gorivo iz spremnika za gorivo.
5. Isprati filter čistim gorivom i vratiti ga natrag u spremnik za gorivo.
6. Vratiti gumeno crijevo u filter za gorivo.
7. Pričvrstiti bočni poklopac.

(vidi slike 7 i 8, strana 2)

A. Gornji poklopac, B. Zaštita ventilatora

(vidi slike 9, strana 2)

A. Filter za gorivo, B. Crijevo za gorivo, C. Bočni poklopac

(vidi slike 10, strana 2)

A. Filter za gorivo, uređaj za mjerenje protoka goriva i donje crijevo za gorivo, B. Gornje crijevo za gorivo, C. Bočni poklopac.

SVJEĆICA (model 10 kW)

1. Skinuti gornji poklopac (vidi strana 9).
2. Izvaditi ventilator (vidi strana 14).
3. Izvaditi crijevo za gorivo i crijevo za zrak iz sustava mlaznika.
4. Skinuti spoj svjeće sa svjeće.
5. Odviti dva vijka uz pomoć ključa 5/16 cola i skinuti spojnica plamenika.
6. Postaviti svjeću u stegu i pritegnuti.
7. Odviti vijak koji pričvršćuje svjeću uz pomoć ključa 11/16 cola.
8. Skinuti spojnicu plamenika sa svjeće.
9. Očistiti elektrode svjeće i postaviti je ponovno na odstojanje 1,40 mm.
10. Postaviti spojnicu plamenika na svjeću. Okretati spojnicu plamenika do trenutka dok ne dodirne elektrode svjeće (vidi slika 13).
11. Udesiti svjeću sigurnosnom maticom.
12. Osloboditi svjeću iz stega.
13. Postaviti spojnicu plamenika na komoru za sagorijevanje.
14. Pričvrstiti spoj svjeće za svjeću.
15. Priključiti crijevo za gorivo i crijevo za zrak za sustav

mlaznika.

16. Pričvrstiti ventilator. (vidi strana 14)

17. Pričvrstiti zaštitu ventilatora i gornji poklopac.

(vidi slike 11, strana 2)

A. Sigurnosna matica svjeće, B. Komora za sagorijevanje, C. Spojnica plamenika, D. Svjeća, E. Spoj svjeće, F. Sustav mlaznika, G. Crijevo za zrak, H. Crijevo za gorivo

(vidi slike 12, strana 2)

A. Previnuti na tom mestu, za podesiti odstojanje između elektroda

(vidi slike 13, strana 2)

A. Spojnica plamenika

SVJEĆICA (modeli 20 kW, 29 kW, 44 kW)

1. Skinuti gornji poklopac (vidi strana 9).
2. Izvaditi ventilator (vidi strana 14).
3. Skinuti spoj svjeće sa svjeće.
4. Skinuti svjeću sa glave plamenika, uz pomoć ključa 13/16 cola.
5. Očistiti elektrode svjeće i postaviti ih ponovno na odstojanju: **modeli 20 kW, 29 kW:** 1,90 mm; **model 44 kW:** 2,80 mm
6. Instalirati svjeću na glavu plamenika.
7. Pričvrstiti spoj svjeće za svjeću.
8. Pričvrstiti ventilator. (vidi strana 14)
9. Pričvrstiti zaštitu ventilatora i gornji poklopac.

(vidi slike 14, strana 2)

A. Glava plamenika, B. Spoj svjeće, C. Svjeća

(vidi slike 15, strana 2)

A. Previnuti na tom mestu, za podesiti odstojanje između elektroda, B. Odstojanje

FILTAR IZLAZA ZRAKA, FILTAR ULAZA ZRAKA I TEKSTILNI FILTAR

1. Skinuti gornji poklopac (vidi strana 9).
 2. Odviti vijak u spojnici na kraju filtra, uz korišćenje ključa 5/16 cola.
 3. Ukloniti spojnicu na kraju filtra.
 4. Izmjeniti filter izlaza zraka i tekstilni filter.
 5. Isprati ili zamijeniti filter ulaza zraka (vidi Tekuća zaštita, strana 7)
 6. Instalirati spojnicu na kraju filtra.
 7. Instalirati zaštitu ventilatora i gornji poklopac.
- VAŽNO:** Ne uljiti filtre.

REGULACIJA TLAKA U PUMPI

1. Skinuti tlačno brtvilo s spojnice na kraju filtra.
2. Instalirati pomoćni tlakomjer (dio HA 1180)
3. Uključiti grijač (vidi *Funkcioniranje*, strana 4). Sačekati da motor dostigne maksimalnu snagu.
4. Regulirati tlak. Obrnuti ventil suviška tlaka udesno, za povećati tlak. Obrnuti ventil suviška tlaka ulijevo, za smanjiti tlak. Vidjeti specifikaciju s desne strane za biranje odgovarajućih vrijednosti tlaka za pojedine modele.
5. Odinstalirati tlakomjer. Postaviti tlačno brtvilo na spojnicu kraja filtera.

(vidi slike 16 i 17, strana 2)

A. Filter ulaza zraka, B. Spojnica na kraju filtra, C. Zaštita ventilatora, D. Tekstilni filter, E. Filter izlaza zraka.

Model	Tlak u pumpi (Bar/PSI)
10 kW	0,207 / 3
20 kW	0,365 / 5,3
29 kW	0,275 / 4
44 kW	0,337 / 4,9

(vidi slike 18, strana 2)

A. Tlačno brtvilo, **B.** Ventil suviška tlaka, **C.** (Predstavljeni modeli – 10 kW, 20 kW)

(vidi slike 19, strana 2)

A. Tlakomjer

MLAZNIK PLAMENIKA (model 10 kW)

1. Skinuti gornji poklopac (vidi slika 9).
2. Izvaditi ventilator (vidi strana 14).
3. Izvaditi crijevo za gorivo i crijevo za zrak iz sustava mlaznika plamenika.
4. Obrnuti sustav mlaznika plamenika za ¼ obrtaja u levo i povući u pravcu motora radi vađenja.
5. Postaviti plastični šesterokut u stege i blago ga dotegnuti.
6. Oprezno izvaditi mlaznik plamenika iz spojke uz pomoć ključa 5/8 cola.
7. Propuhati komprimiranim zrakom čeonu dio mlaznika. To će ukloniti svu nečistoću u okolici mlaznika.
8. Provjeriti da li je brtvilo mlaznika oštećeno.
9. Postaviti mlaznik unutar spojke, tako da u nju uklopi. Pritegnuti ga za 1/3 obrtaja, koristeći ključ 5/8 cola (4,50-5,10 n-m).
10. Pričvrstiti sustav mlaznika za spojnicu plamenika.
11. Povezati crijevo za gorivo i crijevo za zrak sa sustavom mlaznika.
12. Pričvrstiti ventilator (vidi strana 14).
13. Pričvrstiti zaštitu ventilatora i gornji poklopac.

(vidi slike 20 i 21, strana 3)

A. Komora za sagorijevanje, **B.** Sustav mlaznika plamenika, **C.** Spojnica plamenika, **D.** Crijevo za gorivo, **E.** Crijevo za zrak

(vidi slike 22, strana 3)

A. Glava mlaznika plamenika, **B.** Brtvilo mlaznika, **C.** Priključak crijeva za gorivo, **D.** Priključak crijeva za zrak, **E.** Spojka mlaznika i uređaja za mjerenje protoka, **F.** Mlaznik plamenika

MLAZNIK PLAMENIKA (modeli 20 / 29 / 44 kw)

1. Skinuti gornji poklopac (vidi strana 9).
2. Izvaditi ventilator (vidi strana 14).
3. Izvaditi crijevo za gorivo i crijevo za zrak iz glave plamenika.
4. Skinuti spoj svječice sa svječice.
5. Izvaditi svječicu iz glave plamenika, koristeći ključ 13/16 cola.
6. Odviti tri vijka uz pomoć ključa 5/6 cola i skini glavu plamenika sa komore za sagorijevanje.
7. Postaviti glavu plamenika u stege i blago pritegnuti.
8. Oprezno odvojiti mlaznik od glave plamenika, koristeći ključ 5/8 cola (vidi sliku 24).
9. Propuhati komprimiranim zrakom čeonu površ mlaznika. To će ukloniti svu nečistoću u okolici mlaznika.
10. Provjeriti da li je brtvilo mlaznika oštećeno.
11. Postaviti mlaznik plamenika na glavu plamenika i snažno pritegnuti. (9,10-12,40 n-m/80-110 inch-pounds).
12. Pričvrstiti glavu plamenika za komoru za sagorijevanje.
13. Instalirati svječicu na glavu plamenika.
14. Priključiti spoj svječice svječici.
15. Priključiti crijevo za gorivo i crijevo za zrak za glavu plamenika.
16. Pričvrstiti ventilator (vidi strana 14).
17. Pričvrstiti zaštitu ventilatora i gornji poklopac.

(vidi slike 23, strana 3)

A. Komora za sagorijevanje, **B.** Glava plamenika, **C.** Spoj svječice, **D.** Svječica, **E.** Crijevo za gorivo, **F.** Crijevo za zrak

(vidi slike 24, strana 3)

A. Glava mlaznika plamenika, **B.** Brtvilo mlaznika, **C.** Priključak crijeva za gorivo, **D.** Priključak crijeva za zrak, **E.** Spojka mlaznika i uređaja za mjerenje protoka, **F.** Mlaznik plamenika

ROTOR PUMPE (Što raditi u slučaju zaglavljivanja)

1. Skinuti gornji poklopac (vidi strana 9)
2. Odviti vijke iz spojnice na kraju filtra koristeći ključ 5/16 cola.
3. Skinuti spojnicu na kraju filtra i zračne filtre.
4. Odviti vijke na ploči pumpe koristeći ključ 5/16 cola.
5. Skinuti ploču pumpe.
6. Skinuti rotor, uložak i lopatice.
7. Provjeriti ima li naslaga u pumpi. Ako ih ima, propuhati je komprimiranim zrakom.
8. Zainstalirati uložak i rotor.
9. Provjeriti udaljenost na rotoru. Ako je potrebno, regulirati 0,076/0,101 mm na najužem mjestu (vidi sliku 27). *Pažnja:* Okrenuti rotor za pun obrtaj za uvjeriti se da udaljenost iznosi 0,076/0,101 mm na najužem mjestu. Ako je potrebno - regulirati.
10. Zainstalirati lopatice, ploču pumpe, zračne filtre, spojnicu na kraju filtra.
11. Postaviti zaštitu na ventilator i gornji poklopac.
12. Regulirati tlak u pumpi (vidi strana 11). *Pažnja:* Ako se rotor i dalje zaglavљуje, postupiti prema donjim uputstvima.
13. Učiniti kao u točkama 1 do 6 (gore).
14. Na plosnatoj površini postaviti komad sitnozrnatog brusnog papira (zrnatost 600). Blago izbrusiti rotor, čineći četiri osmice na brusnom papiru. (vidi sliku 28)
15. Ponovno montirati uložak i rotor.
16. Učiniti kao u točkama 10 do 12 (gore).

(vidi slike 25 i 26, strana 3)

A.Paletta, **B.**Piastrina del compressore, **C.**Filtro di ingresso dell'aria, **D.**Coperchio dei filtri, **E.**Griglia della ventola, **F.**Filtro di uscita dell'aria, **G.**Rotore, **H.**Distanziatore.

(vidi slike 27, strana 4)

A. Vijak za reguliranje udaljenosti, **B.** Udaljenost 0,076/0,101, izmjerena uz pomoć mjerača zazora, **C.** Lopatica

(vidi slike 28, strana 4)

A. Brusni papir

VENTILATOR

VAŽNO: Odstalirati ventilator s osovine motora pred odstaliranjem motora iz grijača.

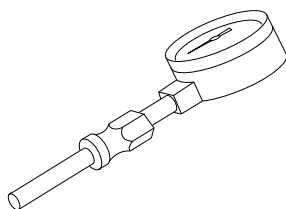
1. Skinuti gornji poklopac (vidi sliku 9).
2. Uz pomoć šesterokutnog ključa 2,5 cola, otpustiti pritezni vijak, koji povezuje ventilator sa osovinom motora.
3. Smaknuti ventilator s osovine motora.
4. Očistiti ventilator uz pomoć krpice navlažene naftom ili razrjeđivačem.
5. Brižljivo osušiti ventilator.
6. Pričvrstiti ponovno ventilator na osovinu motora. Pričvrstiti čeonu površinu glavčine ventilatora paralelno s površinom kraja osovine motora (vidi sliku 30).
7. Postaviti pritezni vijak na površinu osovine. Snažno zavrnuti pritezni vijak (40-50 inch-pound 4,5-5,6 n-m).
8. Zainstalirati zaštitu ventilatora i gornji poklopac

(vidi slike 29 i 30, strana 4)

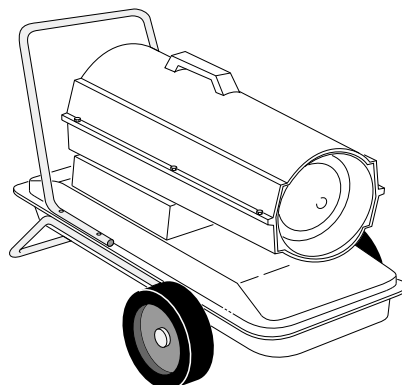
A.Ventilator, **B.**Osovinu motora, **C.**Pritezni vijak, **D.** Postaviti u istoj razini

DODATNA OPREMA

Dodatna oprema se može nabaviti kod lokalnih distributera.

**TLAKOMJER – 4109.427**

Za sve modele. Za provjeriti tlak u pumpi.

**KOMPLET KOTAČA S RUČICOM, PRILAGOĐEN
VELIKIM TERETIMA – 4103.925**

Za velike terete. Za lakše premještanje grijača. Modeli 10 kW, 20 kW.

GARANCIJA I POPRAVAK**JEDNOGODIŠNJA GARANCIJA OBUHVAĆA OSNOVNU OPREMU GRIJAČA**

DESA Italia garantira popravak svih materijalnih kvarova, kao i onih u svezi sa lošom izradbom kupljenog proizvoda, jednu godinu od datuma dopremanja proizvoda njegovom prvom korisniku, pod sljedećim uvjetima:

Sve obveze i odgovornosti DESA Italia na osnovi ove garancije ograničavaju se na popravak ili zamjenu, na osnovi procjene DESA Italia, svakog dijela, u kome se otkriju nedostaci ili bilo kakav kvar tijekom dopremanja. Ti dijelovi moraju biti dopremljeni (transport je obuhvaćen garancijom) do ovlaštenog uslužnog centra ili u fabriku u normalno radno vrijeme. Ova garancija ne obuhvaća dodatne dijelovi ili opremu koju nije proizvela DESA Italia, a koji posjeduju garanciju njihovih proizvođača, niti tekuću zaštitu (poput regulacije tlaka), kao ni dijelova mijenjanih tijekom tekuće zaštite (poput filtara ili svjećica). Dijelovi koji podliježu popravku ili zamjeni, a sastavni su dio ovoga proizvoda, obuhvaćeni spomenutom garancijom, podliježu garanciji samo tijekom preostalog vremena navedenog u garanciji, kao da su originalni dijelovi proizvoda o kojima je riječ. DESA ITALIA NE DAJE NIKAKVU DRUGU GARANCIJU. U OKVIRU OBVEZUJUĆEG PRAVA DESA ITALIA NE OSIGURAVA POSEBNE VANGARANCIJSKE USLUGE, NITI NE GARANTIRA MOGUĆNOST VRAĆANJA, NITI GARANTIRA UPOTREBLJIVOST PROIZVODA ZA POSEBNE CILJEVE. U SVAKOM SLUČAJU NUŽNE GARANCIJSKE USLUGE,

UKLJUČUJUĆI GARANCIJU VRAĆANJA I GARANCIJU NA UPOTREBLJIVOST, OGRANIČENE SU RAZDOBLJEM TRAJANJA OVE GARANCIJE.

Sve troškovi dostave, troškovi instaliranja, carine, porez i sve ostale snosi kupac. U okviru ove garancije DESA Italia ne prihvata odgovornost za izravne, neizravne, nenamjerne i kvarove i kašnjenja izazvane neizravno. Na molbu DESA Italia, proizvodi ili dijelovi koji podliježu garanciju biti će poslani u fabriku na račun klijenta. Svako nepravilno korištenje, uključujući i korištenje proizvoda po otkrivanju oštećenih ili izrabljenih dijelova, pretjerano opterećenje uređaja, zamjena dijelova koji neodobrenih od DESA Italia, kao i sva preuređenja i popravci izvršene od neovlaštenih osoba na takav način da su, prema ocjeni DESA Italia samo pogoršale postojeće stanje, dovode do poništenja garancije.

NIJEDAN RADNIK NITI TRGOVINSKI ZASTUPNIK FIRME NIJE OVLAŠTEN DA MIJENJA BILO ŠTO U OVOJ GARANCIJI NA BILO KOJI NAČIN ILI DA GARANTIRA BILO ŠTO DRUGO, UKOLIKO TA GARANCIJA NIJE UČINJENA PISANIM PUTEM I POTPISANA OD OVLAŠTENIKA DESA ITALIA U NJEGOVOM MATIČNOM UREDU.

GARANCIJSKA USLUGA

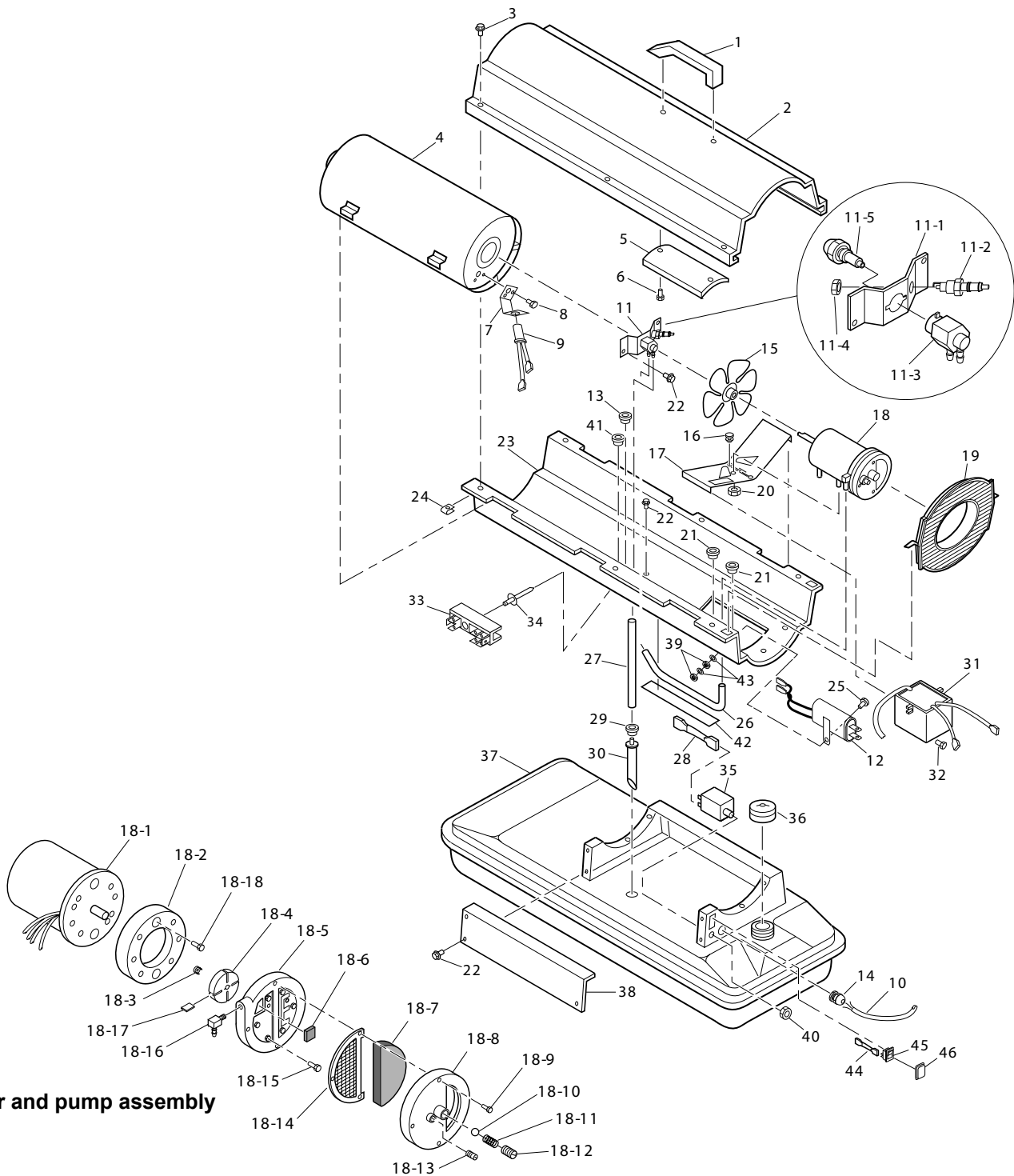
Uvek priložiti broj modela i serije u kontaktu s fabrikom.

Rezervišemo si pravo izmene ovog popisa bilo kada i bez najave. Jedina obvezujuća garancija je naša standardna u pisanom obliku. Ne dajemo nikakve druge garancije niti se one podrazumijevaju.

Po Uputu za uporabu obratiti se pismenim putem Odjelu za tehničko opsluživanje:

**ILLUSTRATED PARTS BREAKDOWN / VUE ÉCLATÉE / BEBILDERTE
 ERSATZTEILLISTE / ILLUSTRATIES EN LIJST VAN ONDERDELEN / ESPLOSO DEI
 COMPONENTI / DESPIECE ILLUSTRADO / ÖVERSIKT DELAR / PIIRROKSET OSISTA /
 ILLUSTRERET DELFORTEGNELSE / OVERSIKT OVER DELER / ILUSTRACJA CZĘŚCI
 W ROZŁOŻENIU / СХЕМА СОСТАВА ИЗДЕЛИЯ / ÁBRÁS ALKALTRÉSZJEGYZÉK /
 ILLUSTRACE ROZLOŽENÍ SOUČÁSTEK / DALIŲ IŠDĖSTYMAS / KOOSTEJOONIS /
 IZJAUKTU DETAĻU ILUSTRĀCIJAS**

B 35 CED



Motor and pump assembly

PARTS LIST / LISTE DES PIÈCES / ERSATZTEILKATALOG / LIJST VAN ONDERDELEN / LISTA DEI COMPONENTI / LISTA DE PIEZAS / LISTA ÖVER DELAR / OSALUETTELO / RESERVEDELE / DELELISTE / LISTA CZHŚCI / ПЕРЕЧЕНЬ ДЕТАЛЕЙ / ALKATRÉSZJEGYZÉK / SEZNAM SOUČÁSTEK / DALIŲ IŠDĖSTYMAS / KOMPONENTIDE LOEND / DETALU SARAKSTS

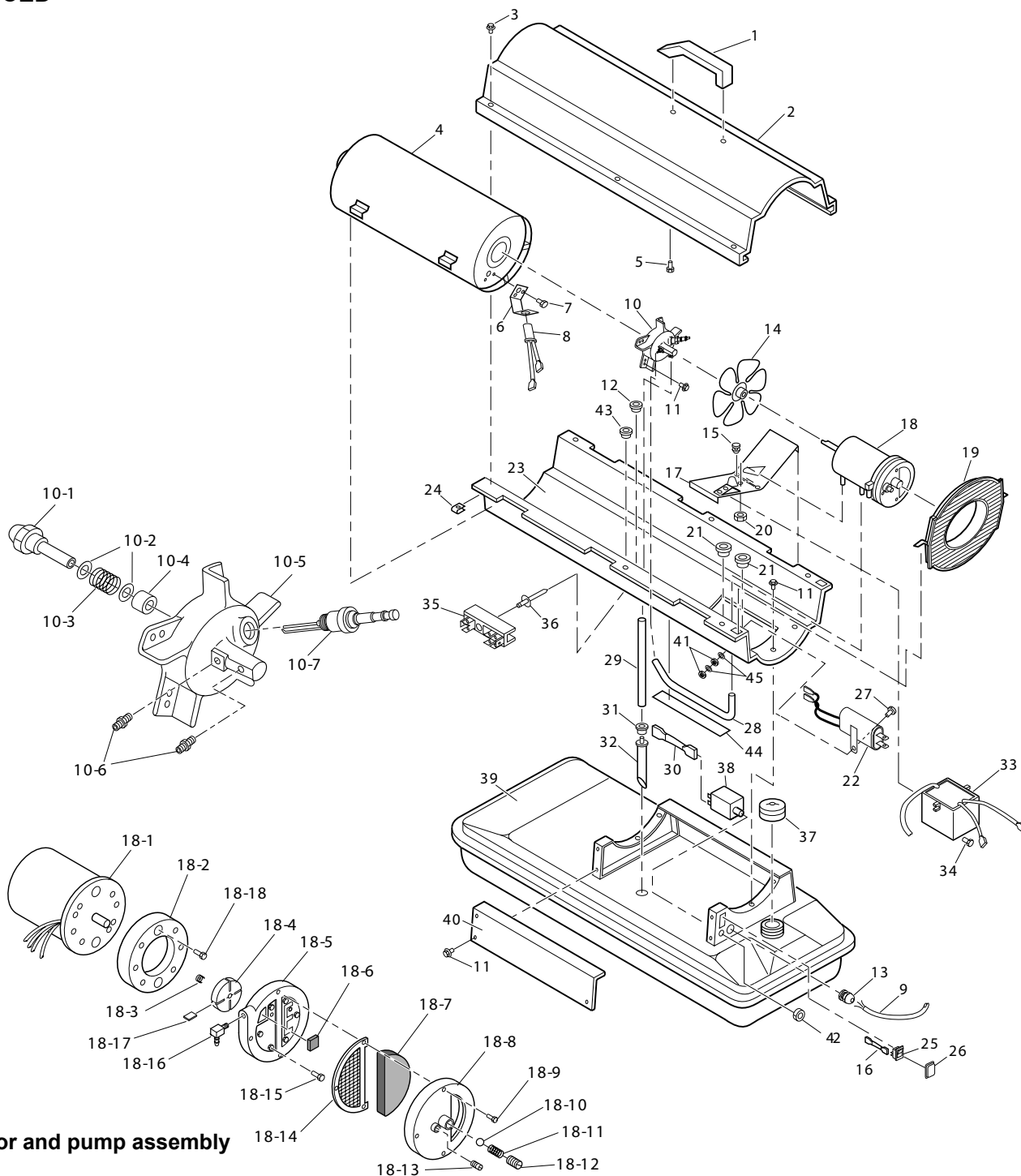
B 35 CED

KEY NO.	PART NUMBER	DESCRIPTION	QTY.	KEY NO.	PART NUMBER	DESCRIPTION	QTY.
1	4161.715	Handle	1	18-17	4101.666	Blade	4
2	4110.535	Upper Shell	1	18-18	4108.590	Screw	2
3	4109.590	Screw/Lockwasher	6	19	4103.685	Fan Guard	1
4	4110.115	Combustion Chamber	1	20	4110.128	Hex locknut	2
6	4160.602	Screw	2	21	4101.151	Bushing (wires)	1
7	4100.658	Photocell Bracket	1	22	4110.124	Screw/Lockwasher, 1/2"	2
8	4103.529	Screw	2	23	4110.122	Lower shell	1
9	4110.564	Photocell Assembly	1	24	4104.170	Clip nut	6
10	4110.563	Power Cord	1	25	4110.133	Screw	1
11	***	Burner Strap Assembly	1	26	4104.147	Rubber airline	1
11-1	4110.092	Bracket	1	27	4109.567	Fuel line	1
11-2	4109.526	Spark plug	1	28	4110.195	Wire assembly (red)	1
11-3	4100.664	Nozzle Adapter	1	29	4100.541	Rubber bushing	1
11-4	4110.573	Nut, 14 mm	1	30	4110.002	Fuel filter assembly	1
11-5	4101.854	Nozzle	1	31	4110.522	Electronic ignitor	1
12	4105.287	Power line RFI Filter	1	32	4110.125	Screw	2
13	4101.151	Bushing	1	33	4106.110	Terminal board	1
14	4150.528	Strain relief bushing	1	35	4104.196	Flame-out control	1
15	4100.662	Fan	1	36	4103.891	Fuel tank cap	1
16	4150.553	Rubber Bumper	1	37	4110.136	Fuel tank	1
17	4110.187	Motor bracket	1	38	4104.175	Side cover	1
18	***	Motor and Pump Assembly	1	39	4110.134	Nut	3
18-1	4110.042	Motor	1	40	4109.592	Hex nut	1
18-2	4101.532	Pump Body	1	41	4101.151	Bushing	1
18-3	4108.635	Insert	1	42	4110.075	Vinyl foam gasket	1
18-4	4103.441	Rotor	1	43	4160.613	Lock washer	2
18-5	4109.724	Pump End Cover	1	44	4110.165	Wire assembly (black)	2
18-6	4109.716	Lint Filter	1	45	4106.179	ON/OFF Switch	1
18-7	4109.690	Intake Filter	1	46	4104.336	Switch cover	1
18-8	4109.674	Filter End Cover	1	PARTS AVAILABLE - NOT SHOWN			
18-9	4108.528	Screw	3		4105.292	Filler Neck Screen	1
18-10	4108.379	Steel ball	1		4110.137	Combustion chamber Ground wire	1
18-11	4102.141	Pressure Relief Spring	1				
18-12	4102.133	Adjusting Screw	1				
18-13	4102.125	Plug	1				
18-14	4109.708	Output Filter	1				
18-15	4108.536	Screw	6				
18-16	4161.497	Elbow, 90° (barb fitting)	1				

***Not available as an assembly; order parts separately.

**ILLUSTRATED PARTS BREAKDOWN / VUE ÉCLATÉE / BEBILDERTE
 ERSATZTEILLISTE / ILLUSTRATIES EN LIJST VAN ONDERDELEN / ESPLOSO DEI
 COMPONENTI / DESPIECE ILUSTRADO / ÖVERSIKT DELAR / PIIRROKSET OSISTA /
 ILLUSTRERET DELFORTEGNELSE / OVERSIKT OVER DELER / ILUSTRACJA CZĘŚCI
 W ROZŁOŻENIU / СХЕМА СОСТАВА ИЗДЕЛИЯ / ÁBRÁS ALKALTRÉSZJEGYZÉK /
 ILUSTRACE ROZŁOŻENÍ SOUČÁSTEK / ALIŲ IŠDĖSTYMAS / KOOSTEJOONIS /
 IZJAKTU DETAĻU ILUSTRĀCIJAS**

B 70 CED



Motor and pump assembly

PARTS LIST / LISTE DES PIÈCES / ERSATZTEILKATALOG / LIJST VAN ONDERDELEN / LISTA DEI COMPONENTI / LISTA DE PIEZAS / LISTA ÖVER DELAR / OSALUETTELO / RESERVEDELE / DELELISTE / LISTA CZHŚCI / ПЕРЕЧЕНЬ ДЕТАЛЕЙ / ALKATRÉSZJEGYZÉK / SEZNAM SOUČÁSTEK / DALIŲ IŠDĖSTYMAS / KOMPONENTIDE LOEND / DETALU SARAKSTS

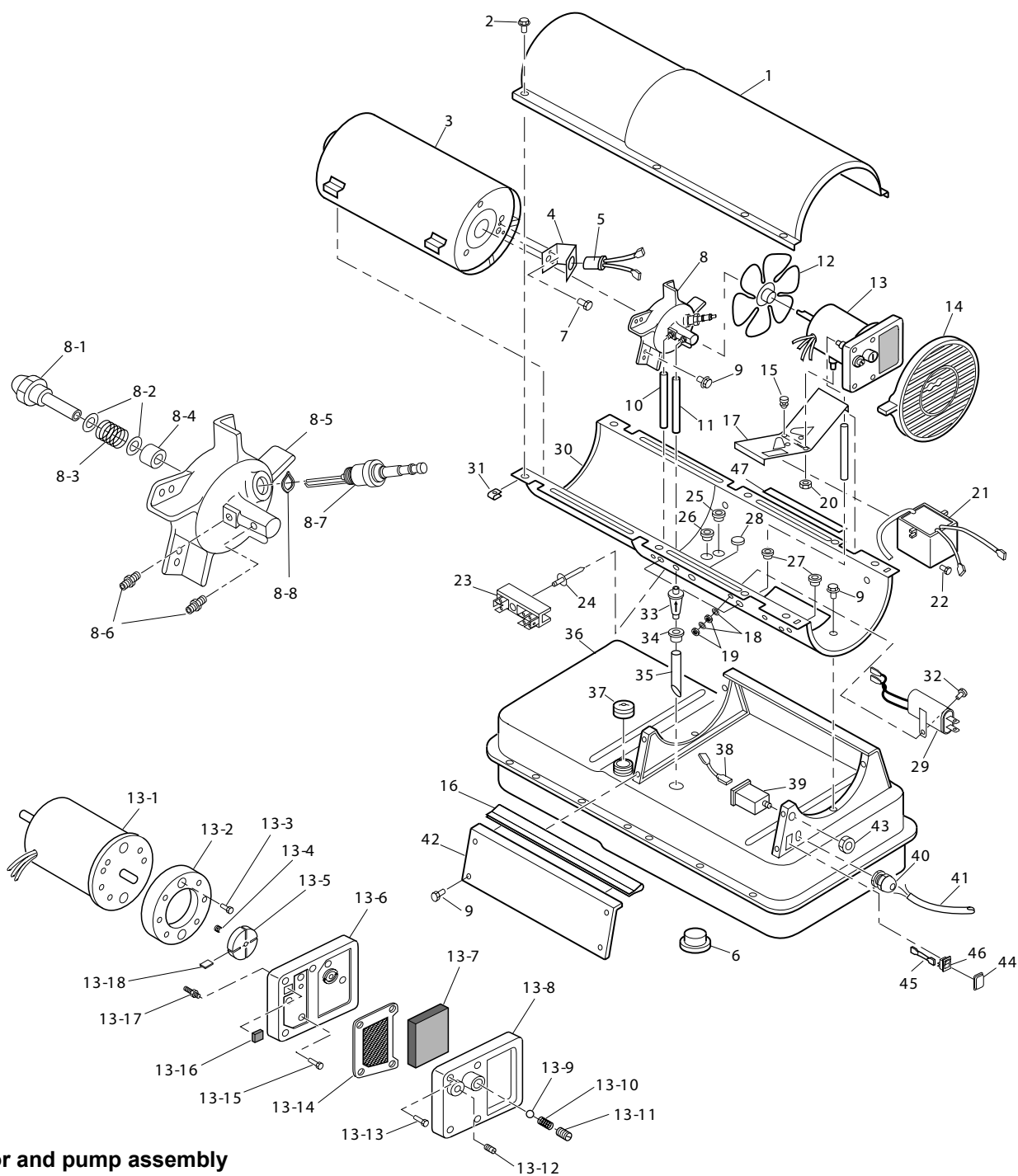
B 70 CED

KEY NO.	PART NUMBER	DESCRIPTION	QTY.	KEY NO.	PART NUMBER	DESCRIPTION	QTY.
1	4161.715	Handle	1	18-15	4108.528	Screw	6
2	4110.535	Upper Shell	1	18-16	4101.156	Elbow, 90° (Barb fitting)	1
3	4109.590	Screw/Lockwasher	6	18-17	4101.200	Blade	1
4	4110.579	Combustion Chamber	1	18-18	4108.588	Screw	4
5	4160.602	Screw	2	19	4103.685	Fan Guard	1
6	4110.658	Photocell Bracket	1	20	4110.128	Hex Lock Nut	2
7	4103.529	Screw	2	21	4101.151	Bushing (wires)	2
8	4110.564	Photocell Assembly	1	22	4105.287	Power line RFI filter	1
9	4110.563	Power cord	1	23	4110.535	Lower shell	1
10	***	Burner Strap Assembly	1	24	4104.170	Clip nut	6
10-1	4103.486	Nozzle	1	25	4106.179	ON/OFF switch	1
10-2	4100.525	Nozzle seal washer	2	26	4104.336	Switch cover	1
10-3	4100.533	Nozzle seal spring	1	27	4110.133	Screw	1
10-4	4101.622	Nozzle seal sleeve	1	28	4109.633	Rubber airline	1
10-5	4109.351	Burner head body	1	29	4109.567	Fuel line	1
10-6	4106.071	Barb fitting	2	30	4110.195	Wire assembly (red)	1
10-7	4101.846	Spark plug	1	31	4100.541	Rubber bushing	1
11	4110.124	Screw/Lockwasher	12	32	4110.003	Fuel filter assembly	1
12	4101.151	Bushing	1	33	4110.522	Electronic ignitor	1
13	4150.528	Strain relief bushing	1	34	4161.125	Screw	2
14	4100.662	Fan	1	35	4106.110	Terminal board	1
15	4150.553	Rubber bumper	2	37	4103.891	Fuel tank cap	1
16	4110.165	Wire assembly (black)	2	38	4104.196	Flame-out control	1
17	4110.187	Motor bracket	1	39	4110.140	Fuel tank	1
18	***	Motor and Pump Assembly	1	40	4110.560	Side cover	1
18-1	4110.079	Motor with capacitor	1	41	4110.134	Nut	3
18-2	4101.317	Pump Body	1	42	4109.592	Hex nut	1
18-3	4108.635	Insert	1	43	4101.151	Bushing	1
18-4	4108.627	Rotor	1	44	4110.075	Vinyl foam gasket	1
18-5	4109.724	Pump End Cover	1	45	4160.613	Lock washer	2
18-6	4109.716	Lint Filter	1	PARTS AVAILABLE - NOT SHOWN			
18-7	4109.690	Intake Filter	1				
18-8	4109.674	Filter End Cover	1				
18-9	4108.528	Screw	3		4105.292	Filler Neck Screen	1
18-10	4108.379	Steel ball	1		4110.196	Combustion chamber ground wire	1
18-11	4102.141	Pressure Relief Spring	1				
18-12	4102.133	Adjusting screw	1				
18-13	4102.125	Plug	1				
18-14	4109.708	Output Filter	1				

***Not available as an assembly; order parts separately.

**ILLUSTRATED PARTS BREAKDOWN / VUE ÉCLATÉE / BEBILDERTE
 ERSATZTEILLISTE / ILLUSTRATIES EN LIJST VAN ONDERDELEN / ESPLOSO DEI
 COMPONENTI / DESPIECE ILUSTRADO / ÖVERSIKT DELAR / PIIRROKSET OSISTA /
 ILLUSTRERET DELFORTEGNELSE / OVERSIKT OVER DELER / ILLUSTRACJA CZĘŚCI
 W ROZŁOŻENIU / СХЕМА СОСТАВА ИЗДЕЛИЯ / ÁBRÁS ALKALTRÉSZJEGYZÉK /
 ILUSTRACE ROZŁOŻENÍ SOUČÁSTEK / ALIŲ IŠDĖSTYMAS / KOOSTEJOONIS /
 IZJAUKTU DETAĻU ILUSTRĀCIJAS**

B 100 CED, B 150 CED



Motor and pump assembly

PARTS LIST / LISTE DES PIÈCES / ERSATZTEILKATALOG / LIJST VAN ONDERDELEN / LISTA DEI COMPONENTI / LISTA DE PIEZAS / LISTA ÖVER DELAR / OSALUETTELO / RESERVEDELE / DELELISTE / LISTA CZHŚCI / ПЕРЕЧЕНЬ ДЕТАЛЕЙ / ALKATRÉSZJEGYZÉK / SEZNAM SOUČÁSTEK / DALIŲ IŠDĖSTYMAS / KOMPONENTIDE LOEND / DETAŁU SARAKSTS

B 100 CED, B 150 CED

KEY NO.	PART NUMBER	DESCRIPTION	Q.TY	KEY NO.	PART NUMBER	DESCRIPTION	Q.TY
1	4110.064	Upper Shell	1	13-17	4104.118	Barb fitting	1
2	4109.590	Screw/Lockwasher, 1/2"	8	13-18	4101.200	Blade (29 kW)	4
3	4110.568	Combustion Chamber (29 kW)	1	10-18	4101.666	Blade (44 kW)	4
3	4110.595	Combustion Chamber (44 kW)	1	14	4103.695	Fan guard	1
4	4100.658	Photocell Bracket (29 kW)	1	15	4150.553	Rubber bumper	2
4	4100.659	Photocell Bracket (44 kW)	1	16	4103.850	Edge liner	1
5	4110.564	Photocell Assembly	1	17	4110.186	Motor Bracket	1
6	4100.632	Drain plug	1	18	4160.613	Lock washer	2
7	4103.529	Screw	2	19	4110.134	Nut	3
8	***	Burner Head Assembly	1	20	4110.128	Hex locknut	2
8-1	4103.559	Nozzle (29 kW)	1	21	4110.609	Electronic ignitor	1
8-1	4103.898	Nozzle (44 kW)	1	22	4161.125	Screw	2
8-2	4100.525	Nozzle seal washer	1	23	4106.110	Terminal board	1
8-3	4100.533	Nozzle seal spring	1	25	4101.112	Bushing	1
8-4	4101.622	Nozzle seal sleeve	1	26	4101.112	Bushing	1
8-5	4109.352	Burner head body	1	27	4160.646	Bushing	2
8-5	4105.187	Burner head body	1	28	4110.070	Button plug	1
8-6	4104.118	Barb fitting	2	29	4105.287	Power line RFI filter	1
8-7	4101.846	Spark plug	1	30	4110.566	Lower shell	1
8-8	4100.526	Wave spring washer (44 kW)	1	31	4104.170	Clip nut	8
9	4110.124	Screw/Lockwasher, 1/2"	13	32	4110.133	Screw	1
10	4104.156	Air line	1	33	4110.630	Fuel filter	1
11	4110.032	Fuel line	1	34	4100.541	Rubber bushing	1
12	4105.062	Fan	1	35	4104.121	Fuel line	1
13	***	Motor and Pump Assembly	1	36	4110.149	Fuel tank	1
13-1	4110.080	Motor	2	37	4103.891	Fuel tank cap	1
13-2	4101.317	Pump Body (29 kW)	1	38	4110.195	Wire assembly (red)	1
13-2	4101.532	Pump Body (44 kW)	1	39	4104.196	Flame-out control	1
13-3	4108.588	Screw (29 kW)	2	40	4150.528	Strain relief bushing	1
13-3	4108.590	Screw (44 kW)	2	41	4110.563	Power cord	1
13-4	4108.635	Rotor Insert	1	42	4110.062	Side cover	1
13-5	4108.627	Pump Rotor (29 kW)	1	43	4109.592	Hex nut	1
13-5	4103.441	Pump Rotor (44 kW)	1	44	4104.336	Switch cover	1
13-6	4101.325	Pump End Cover	1	45	4110.164	Wire assembly (black)	2
13-7	4101.358	Intake Filter	1	46	4106.179	ON/OFF switch	1
13-8	4108.643	Filter End Cover	1	47	4110.041	Vinil foam gasket	2
13-9	4108.379	Steel Ball, 1/4" Diameter	1	PARTS AVAILABLE - NOT SHOWN			
13-10	4102.141	Relief Spring	1				
13-11	4102.133	Adjusting Screw	1		4105.292	Filler Neck Screen	1
13-12	4102.125	Plug	1		4110.137	Combustion chamber ground wire	1
13-13	4108.528	Screw	4				
13-14	4101.341	Output Filter	1				
13-15	4108.528	Screw (29 kW)	6				
13-15	4108.536	Screw (44 kW)	6				
13-16	4101.333	Lint Filter	1				

***Not available as an assembly; order parts separately.

**SPECIFICATIONS - SPÉCIFICATIONS - TECHNISCHE DATEN -
 TECHNISCHE GEGEVENS - DATI TECNICI - ASPECIFICACIONES
 - SPECIFIKATIONER - TEKNISET TIEDOT - SPECIFIKATIONER
 - SPESIFIKASJONER - SPECYFIKACJE - ТЕХНИЧЕСКИЕ
 ХАРАКТЕРИСТИКИ - MŰSZAKI ADATOK - TECHNICKÉ ÚDAJE -
 SPECIFIKACIJOS - TEHNILISED ANDMED - TEHNISKIE DATI**

	B 35 CED	B 70 CED	B 100 CED	B 150 CED
Max power - Puissance thermique max. - Max Wärmeleistung - Max Vermogen - Potenza termica max - Potencia térmica max - Värmestyrka max - Enimmäislämpöteho - Maks. Termisk Effekt - Maksimal varmeeffekt - Wydajność - Номинальная выходная мощность - Teljesítmény - Jmenovitá vákon - Nominalioji galia - Väljundvõimsus - Izejās jauda	10 kW 35.000 Btu/h	20 kW 70.000 Btu/h	29 kW 100.000 Btu/h	44 kW 150.000 Btu/h
Fuel - Combustible - Kraftstoff - Brandstof - Combustibile - Combustible - Bränsle - Polttoaine - Brændstof - Brennstoff - Paliwo - Топливо - Fűtőolaj - Palivo - Kuras - Kütus - Kurināmais	diesel/ kerosene	diesel/ kerosene	diesel/ kerosene	diesel/ kerosene
Fuel Tank Capacity - Capacité Du Reservoir Fuel - Kraftstofftank / Fassungsvermögen - Tankinhoud - Capacità serbatoio - Capacidad del tanque de combustible - Tankstorlek - Polttoainesäiliön tilavuus - Tankkapacitet i liter - Størrelse på brennstofftanken - Pojemność zbiornika paliwa - Емкость топливного бака - Fűtőolajtartály térfogata - Kapacita palivové nádrže - Kuro talpyklos talpa - Kütusepaagi maht - Kurināmā tvertnes	15 Lt	19 Lt	44 Lt	44 Lt
Fuel Consumption - Consommation Fuel - Kraftstoffverbrauch - Brandstofverbruik - Consumo di combustibile - Consumo de combustible - Bränsleförbrukning - Polttoaineenkulutus - Petroleumförbruk - Brennstoffverbrauch - Zuzycie paliwa - Расход топлива - Fűtőolaj fogyasztás - Spotreba paliva - Kuro išeikvojimas - Kütusekulu - Kurināmā patēriņš	0,86 Kg/h	1,7 Kg/h	2,45 Kg/h	3,72 Kg/h
Electric Requirements - Tension-V - Elektrischer Anschluß - Netvoeding - Alimentazione elettrica - Requisitos eléctricos - Elektrisk strøm - Sähkövirta - El-type - Elektriske krav - Wymagania odnośnie zasilania - Электропитание - Villamos csatlakozás - Potrebne elektrické napetí - Elektros sistemas priežiūros reikalavimai - Nõuded elektrisüsteemile - Prasības elektriskajai sistēmai	220-240 V / 50 Hz	220-240 V / 50 Hz	220-240 V / 50 Hz	220-240 V / 50 Hz
Amperage - Ampérage - Stromstärke - Stroomsterkte - Amperaggio - Amperaje - Strömstyrka, ampere - Ampeerikulutus - Strømstyrke - Strømstyrke - Pobór prądu - Ток - Áramfelvétel - Potrebna elektrická proud - Sroves stiprumas amperais - Voolutugevus - Barošanas spriegums	0,8 A	1 A	1,2 A	1,2 A
Hot Air Output - Débit D'air - Heißluftausstoß - Blaasvermogen hete lucht - Portata d'aria - Salida de aire caliente - Hetluftsutsläpp - Kuumailmateho - Varmluftmængde i m3 i minuttet - Varmluftskapasitet - Wydajność ciepłego powietrza - Выход горячего воздуха - Meleg levegő kibocsátás - Vástup horkeho vzduchu - Karšto oro našumas - Kuuma õhu tootlikkus - Karstā gaisa jauda	280 m³/h	400 m³/h	800 m³/h	900 m³/h
RPM - Régime Moteur - U/min - Toerental - Giri al minuto - Velocidad - RPM - Kierrosluku - Omdrejningstal i minuttet,el-motor - Obrotu na minute - Скорость вращения электродвигателя - Fordulatszám - Otáčky za minutu - Apsisukimai per minutę - pöört minutis - apgriezieni minūtē	1425	2850	2850	2850

EC CONFORMITY DECLARATION
DÉCLARATION DE CONFORMITÉ À LA CE
EU-ÜBEREINSTIMMUNGSERKLÄRUNG
CONFORMITEITSVERKLARINGVOOR DE EU
DICHIARAZIONE DI CONFORMITÀ
DECLARACION DE CONFORMIDAD CON LA CE
FÖRSÄKRAN OM ÖVERENSSTÄMMELSE
EU:N VAATIMUSTENMUKAISUUSVAKUUTUS
EU OVERENSSTEMMELSESERKLÆRING
EU-SAMSVAR
DEKLARACJA ZGODNOCI Z ZALECENIAMI WSPÓLNOTY EUROPEJSKIEJ
ЗАЯВЛЕНИЕ О СООТВЕТСТВИИ ТРЕБОВАНИЯМ СТАНДАРТОВ ЕС
EC MEGFELELŐSÉGI NYILATKOZAT
PROHLÁŠENÍ O DODRŽENÍ NAŘÍZENÍ EC
EC ATITIKTIES DEKLARACIJA
EL VASTAVUSAVALDUS
EC ATBILSTĪBAS DEKLARĀCIJA
ΔΗΛΩΣΗ ΣΥΜΜΟΡΦΩΣΗΣ ΕΚ
AT UYGUNLUK BEYANI
VYHLÁSENIE ZHODY S ODPORÚČANIAM I EURÓPSKEHO SPOLOČENSTVA
DECLARAȚIA DE CONFORMITATE CU RECOMANDĂRILE COMUNITĂȚII EUROPENE
ДЕКЛАРАЦИЯ ЗА СЪОТВЕТСТВИЕ НА ЕВРОПЕЙСКАТА ОБЩНОСТ
DEKLARACIJA USKLAĐENOSTI S PREPORUKAMA EUROPSKE UNIJE
SPRIČEVALO KAKOVOS

DESA ITALIA s.r.l. Via Tione, 12 - 37010 - Pastrengo (VR) ITALY

Portable forced air heaters: - Appareils de chauffage individuels à air forcé: - Tragbare hochdruck-heissluftturbinen: - Mobiele ventilator-luchtverwarmer: - Generatore d'aria calda: - Calentadores móviles de aire forzado: - Portabel värmefläkt med forcerat luftflöde: - Siirrettävä kuumailmapuhallin: - Flytbare luftcirkulations apparater: - Flyttbar varmekanon: - Przenośne nagrzewnice powietrza pod ciśnieniem: - Тепловой генератор: - Hordozható hőlégfúvók: - Přenosná topná tělesa na dm chan vzduch: - Kilnojami aukšto slūgio oro šildytuvai: - Kaasaskantav õhusoojendi: - Pārvietojamie gaisa sildītāji ar piespiedu gaisa padevi: - Φορητή θερμαστήρα εξαναγκασμένης ροής αέρα: - Priprava za vpihavanje toploga zraka: - Portatif basınçlı hava ısıtıcılar: - Prenosny tlakový teplovzdušný ohrievač: - Încalzitoare portabile de aer: - Преносими отоплители под налягане: - Uređaj za upuh toploga zraka: - Priprava za vpihavanje toploga zraka:

B 35 CED - B 70 CED - B 100 CED - B 150 CED

It is declared that these models conform to: - Ces modèles ont été déclarés conformes à:
Hiermit wird bescheinigt, daß diese Modelle in Übereinstimmung: - Hierbij wordt verklaard dat deze modellen:
Si dichiara che questi generatori sono conformi: - Se declara por este medio que estos modelos:
Ovanstående modeller överensstämmer: - Näiden mallien todistetaan täten noudattavan:
Det attesteres herved, at anførte modeller er i overensstemmelse: - Det erklæres at disse modellene er i samsvar:
Oświadczam, że niniejsze modele zgodne są z zarządzeniem: - Настоящим мы заявляем, что эти нагреватели отвечают требованиям стандартов на оборудование: - Kijelentjük, hogy fenti modellek megfelelnek
Prohlašujeme, že tyto modely odpovídají Nařízení pro stroje: - Vastab järgmistele el direktiividele ja standarditele:
Atbilst sekojošu es standartu un direktīvu prasībām: - Δηλώνεται ότι αυτά τα μοντέλα είναι σε συμμόρφωση με την οδηγία περί Μηχανημάτων: - İşbu modellerin: - Potvrđujemo, že tieto modely sú zhodné s nariadením: - Declară că modelele sunt produse conform hotărârii: - Декларира, че горепосочените модели съответстват Директивата за: - Očituje se da su spomenuti modeli skladni sa uredbom: - Kendi sorumluluğu altında beyan eder:

2004/108 EEC, 2006/95 EEC

EN 55014-1-2-2A/1, EN 61000-3-2, EN 61000-3-3, EN 50366, EN 60335-1, EN 60335-2-102

IT - Smaltimento del prodotto

- Questo prodotto è stato progettato e fabbricato con materiali e componenti di alta qualità, che possono essere riciclati e riutilizzati.
- Quando ad un prodotto è attaccato il simbolo del bidone con le ruote segnato da una croce, significa che il prodotto è tutelato dalla Direttiva Europea 2002/96/EC.
- Si prega di informarsi in merito al sistema locale di raccolta differenziata per i prodotti elettrici ed elettronici.
- Rispettare le norme locali in vigore e non smaltire i prodotti vecchi nei normali rifiuti domestici. Il corretto smaltimento del prodotto aiuta ad evitare possibili conseguenze negative per la salute dell'ambiente e dell'uomo.

GB - Disposal of your old product

- Your product is designed and manufactured with high quality materials and components, which can be recycled and reused.
- When this crossed-out wheeled bin symbol is attached to a product it means the product is covered by the European Directive 2002/96/EC.
- Please inform yourself about the local separate collection system for electrical and electronic products.
- Please act according to your local rules and do not dispose of your old product with your normal household waste. The correct disposal of your old product will help prevent potential negative consequences for the environment and human health.

DE - Entsorgung Ihres Altgerätes

- Ihr Produkt ist aus hochqualitativen Materialien und Bestandteilen hergestellt, die dem Recycling zugeführt und wiederverwertet werden können.
- Falls dieses Symbol eines durchgestrichenen Müllcontainers auf Rollen auf diesem Produkt angebracht ist, bedeutet dies, dass es von der Europäischen Richtlinie 2002/96/EG erfasst wird.
- Bitte informieren Sie sich über die örtlichen Sammelstellen für Elektroprodukte und elektronische Geräte.
- Bitte beachten Sie die lokalen Vorschriften und entsorgen Sie Ihre Altgeräte nicht mit dem normalen Haushaltsmüll. Die korrekte Entsorgung Ihres Altgerätes ist ein Beitrag zur Vermeidung möglicher negativer Folgen für die Umwelt und die menschliche Gesundheit.

ES - Cómo deshacerse del producto usado

- Su producto ha sido diseñado y fabricado con materiales y componentes de alta calidad, que pueden ser reciclados y reutilizados.
- Cuando vea este símbolo de una papelera con ruedas tachada junto a un producto, esto significa que el producto está bajo la Directiva Europea 2002/96/EC.
- Deberá informarse sobre el sistema de reciclaje local separado para productos eléctricos y electrónicos.
- Siga las normas locales y no se deshaga de los productos usados tirándolos en la basura normal de su hogar. El reciclaje correcto de su producto usado ayudará a evitar consecuencias negativas para el medio ambiente y la salud de las personas.

FR - Se débarrasser de votre produit usagé

- Votre produit est conçu et fabriqué avec des matériaux et des composants de haute qualité, qui peuvent être recyclés et utilisés de nouveau.
- Lorsque ce symbole d'une poubelle à roue barrée à un produit, cela signifie que le produit est couvert par la Directive Européenne 2002/96/EC.
- Veuillez vous informer du système local de séparation des déchets électriques et électroniques.
- Veuillez agir selon les règles locales et ne pas jeter vos produits usagés avec les déchets domestiques usuels. Jeter correctement votre produit usagé aidera à prévenir les conséquences négatives potentielles contre l'environnement et la santé humaine.

NL - Wegwerpen van uw afgedankt apparaat

- Uw apparaat werd ontworpen met en vervaardigd uit onderdelen en materialen van superieure kwaliteit, die gerecycleerd en opnieuw gebruikt kunnen worden.
- Wanneer het symbool van een doorstreepte vuilnisemmer op wielen op een product is bevestigd, betekent dit dat het product conform is de Europese Richtlijn 2002/96/EC.
- Gelieve u te informeren in verband met het plaatselijke inzamelingsysteem voor elektrische en elektronische apparaten.
- Gelieve u te houden aan de plaatselijke reglementering en apparaten niet met het gewone huisvuil mee te geven. Door afgedankte apparaten op een correcte manier weg te werpen helpt u mogelijke negatieve gevolgen voor het milieu en de gezondheid te voorkomen.

PT - Descartar-se do seu produto velho

- O seu produto está concebido e fabricado com materiais e componentes da mais alta qualidade, os quais podem ser reciclados e reutilizados.
- Quando o símbolo de um caixote do lixo com rodas e traçado or uma cruz estiver anexado a um produto, isto significa que o produto se

encontra coberto pela Directiva Europeia 2002/96/EC.

- Por favor informe-se sobre o sistema local para a separação e recolha de produtos eléctricos e electrónicos.
- Actue por favor em conformidade com as suas regras locais e, não se desfaça de produtos velhos conjuntamente com os seus desperdícios caseiros. Desfazer-se correctamente do seu produto velho ajudará a evitar consequências potencialmente negativas para o ambiente e saúde humana.

DK - Bortskaffelse af dit gamle produkt

- Dit produkt er designet og produceret med materialer af høj kvalitet, som kan blive genbrugt.
- Når du ser symbolet med en skraldespand, der er kryds over, betyder det, at produktet er dækket af EU direktiv nr. 2002/96/EC.
- Venligst sæt dig ind i de danske regler om indsamling af elektriske og elektroniske produkter.
- Venligst overhold de danske regler og smid ikke dine gamle produkter ud sammen med dit normale husholdningsaffald. den korrekte bortskaffelsesmetode vil forebygge negative følger for miljøet og folkesundheden.

FI - Vanhan tuotteen hävittäminen

- Tuotteesi on suunniteltu ja valmistettu korkealuokkaisista materiaaleista ja komponenteista, jotka voidaan kierrättää ja käyttää uudell.
- Kun tuotteessa on tämä ylivedetyn pyörillä olevan roskakorin symboli, tuote täyttää Euroopan Direktiivin 2002/96/EC.
- Ole hyvä ja etsi tieto lähimmästä erillisestä sähköllä toimivien tuotteiden keräysjärjestelmästä.
- Toimipaikallisten sääntöjen mukaisesti äläkä hävitä vanhaa tuotetta normaalin kotitalousjätteen joukossa. Tuotteen oikeanlainen hävittäminen auttaa estämään mahdolliset vaikutukset ympäristölle ja ihmisten terveydelle.

NO - Kaste det gamle apparatet

- Alle elektriske og elektroniske produkter skal kastes i atskilte gjenbrugsstasjoner som er satt ut av statlige eller lokale myndigheter.
- Når dette symbolet med en søppeldunk med kryss på er festet til et produkt, betyr det at produktet dekkes av EU-direktivet 2002/96/EF.
- Riktig avfallshåndtering av det gamle apparatet bidrar til å forhindre mulige negative konsekvenser for miljøet og folkehelsen.
- Hvis du vil ha mer detaljert informasjon om avfallshåndtering av gamle apparater, kan du kontakte lokale myndigheter, leverandøren av avfallshåndteringstjenesten eller butikken der du kjøpte produktet.

SV - Undagörande av din gamla produk

- Din produkt är designad och tillverkad med material och komponenter av högsta kvalitet, vilka kan återvinnas och återanvändas.
- När den här överstrukna sopkorgen på en produkt, betyder det att produkten täcks av Europeiska Direktiv 2002/96/EC.
- Informera dig själv om lokala återvinnings och sophanteringssystem för elektriska och elektroniska produkter.
- Agera i enlighet med dina lokala regler och släng inte dina gamla produkter tillsammans med ditt normala hushållsavfall. Korrekt sophantering av din gamla produkt kommer att hjälpa till att för naturen och människors hälsa.

PL - Usuwanie starego produktu

- Zakupiony produkt zaprojektowano i wykonano z materiałów najwyższej jakości i komponentów, które podlegają recyklingowi i mogą być ponownie użyte.
- Jeżeli produkt jest oznaczony powyższym symbolem przekreślonego kosza na śmiecie, oznacza to że produkt spełnia wymagania Dyrektywy Europejskiej 2002/96/EC.
- Zaleca się zapoznanie z lokalnym systemem odbioru produktów elektrycznych i elektronicznych.
- Zaleca się działanie zgodnie z lokalnymi przepisami i nie wyrzucanie zużytych produktów do pojemników na odpady gospodarcze. Właściwe usuwanie starych produktów pomoże uniknąć potencjalnych negatywnych konsekwencji oddziaływania na środowisko i zdrowie ludzi.

RU - Утилизация старого устройства

- Ваше устройство спроектировано и изготовлено из высококачественных Материалов и компонентов, которые можно утилизировать и использовать повторно
- Если товар имеет с зачеркнутым мусорным ящиком на колесах, это означает, что товар соответствует Европейской директиве 2002/96/EC.
- Ознакомьтесь с местной системой раздельного сбора электрических и электронных товаров.
- Утилизируйте старые устройства отдельно от бытовых отходов. Правильная утилизация вашего товара позволит предотвратить возможные отрицательные последствия для окружающей среды и человеческого здоровья.

CZ - Likvidace starého produktu

- Produkt je navržen a vyroben za použití velmi kvalitních materiálů a komponent, které lze recyklovat a znovu použít.
- Když je produktu připevněn symbol s přeškrtnutým košem, znamená to, že je produkt kryt evropskou směrnicí 2002/96/EC.
- Informujte se o místním tříděném systému pro elektrické produkty.
- Řiďte se místními pravidly a nelikvidujte staré produkty spolu s běžným odpadem. Správná likvidace starého produktu pomůže zabránit případným negativním následkům pro životní prostředí a lidské zdraví.

HU - Régi termékének eldobása

- A terméket kiváló anyagokból és összetevőkből tervezték és készítették, melyek újrahasznosíthatóak és újra felhasználhatóak.
- Ha az áthúzott kerek szemetes szimbólumot látja egy terméken, akkor a termék megfelel a 2002/96/EK Európai Direktívának.
- Kérjük, érdeklődjön az elektromos és elektronikus termékek helyi szelektív hulladékgyűjtési rendjéről.
- Kérjük, a helyi törvényeknek megfelelően járjon el, és régi termékeit ne a normális háztartási szeméttel dobja ki. A régi termék helyes eldobása segít megelőzni a lehetséges negatív következményeket a környezetre és az emberi egészségre nézve.

HR - Zbrinjavanje proizvoda

- Ovaj je proizvod projektiran i proizveden s materijalima i komponentama visoke kvalitete, koji se mogu reciklirati i ponovno iskoristiti.
- Kada je na proizvodu prilijepljen simbol prekrizene kante sa kotačićima, znači da proizvod štite europske direktive 2002/96/EC.
- Potrebno je informirati se o lokalnom sistemu odvojenog skupljanja otpada za električne i elektronske proizvode.
- Poštivati lokalne propise na snazi i ne zbrinjavati stare proizvode u normalnom kućnom otpadu. Ispravno zbrinjavanje proizvoda pomaže u izbjegavanju mogućih posljedica po zdravlje čovjeka i prirodne okoline.

SI - Končno odvajanje generatorja

- Ta generator toplega zraka je bil načrtovan in proizveden z kakovostnimi materiali in sestavni deli se lahko predelujejo za ponovno uporabo.
- Kadar izdelek ima pritrjeno tablico z oznako z velikim zbiralnikom odpadkov z kolesi in ta oznaka je zaznamovana z križem, pomeni, da je izdelek zaščiten z Direktivo Evropske Skupnosti 2002/96/EC.
- Dobro vam priporočamo, da se informirate glede krajevnega sistema za izbrano zbiranje električnih in elektronskih izdelkov.
- Vedno upoštevajte veljavne krajevne predpise in nikoli ne odvajajte stare izdelke skupaj z navadnimi hišnimi odpadki. Nepravilno odvajanje teh izdelkov lahko povzroči hude poškodbe osebam in okolju.

TR - Ürünün bertaraf edilmesi

- Bu ürün, dönüştürülmesi ve yeniden kullanımı mümkün yüksek kaliteli malzeme ve bileşenler ile tasarlanmış ve üretilmiştir.
- Bir ürüne, x işareti ile işaretlenmiş tekerlekli bir bidon sembolü yapılmış ise bu, ürünü 2002/96/EC Avrupa Direktifi uyarınca korunduğu anlamına gelir.
- Elektrik ve elektronik ürünler için ayrılmış toplama mahalli sistemine ilişkin bilgi almanız rica edilir.
- Yürürlükteki mevzuata uyunuz ve eski ürünleri normal ev atıkları ile birlikte bertaraf etmeyiniz. Ürünü doğru bertaraf edilmesi, çevre ve insan sağlığı üzerinde olası olumsuz sonuçların önlenmesine katkıda bulunur.

LT - Informacija apie panaudotos elektrinės įrangos šalinimą

- Panaudotą elektrinę ir elektroninę įrangą laikyti su kitomis atliekomis vartotojams draudžiama pagal Europos Sąjungos Direktivą 2002/96/EB.
- Šis ženklas, pavaizduotas ant įrenginio, informuoja, kad tai yra elektrinė arba elektroninė įranga, kuri panaudota negali būti laikoma kartu su kitomis atliekomis.
- Panaudotos elektrinės įrangos sudėtyje yra natūraliai aplinkai kenksmingų medžiagų. Tokios įrangos negalima laikyti sąvartynuose, ji turi būti atiduota perdirbimui.
- Informaciją apie panaudotos elektrinės įrangos rinkimo sistemą galima gauti įrenginių pardavimo vietose bei iš gamintojo arba importuotojo.

EE - Informatsioon kasutatud elektrooniliste ja elektriseadmete likvideerimise kohta

- See, seadmel olev märk informeerib, et tegemist on elektrooniliste või elektriseadmetega, mida pärast lõplikku kasutamist ei tohi hoida koos teiste jäätmetega.
- Kasutatud elektrooniliste ja elektriseadmete koostises on keskkonnale kahjulikke materjale. Selliseid seadmeid ei tohi hoida prügilates, need

tuleb anda ümbertöötlemiseks.

- Informatsiooni kasutatud elektrooniliste ja elektriseadmete kogumissüsteemist võib saada seadme müüjalt müügikohtades ja tootjalt või maaletoojalt.
- Eri liist tähelepanu peaksid osutama tarbijad, kes kasutavad nimetatud seadmeid eramajapidamises. Arvestades asjaoluga, et sellesse sektorisse satub kõige rohkem seadmeid, tähendab see, et nende osavõtt selektiivsest kasutatud seadmete kogumisest on eriti tähtis.
- Kasutatud elektrooniliste ja elektriseadmete hoidmine koos teiste jäätmetega on tarbijatele keelatud vastavalt Euroopa Liidu Direktiivile 2002/96/EB.

LV - Informācija par izlieto tu elektrisko un elektronisko ierīču utilizēšanu

- Izlietotas elektriskā un elektroniskās ierīces izmest ar citiem atkritumiem lietotājiem ir aizliegts saskaņā ar Eiropas Savienības Direktīvu 2002/96/EB.
- Šis simbols, attēlots uz ierīces, informē, ka tā ir elektriska vai elektroniska ierīce, kuru pēc izlietošanas nedrīkst izmest kopā ar citiem atkritumiem.
- Informēra dig sjālv om lokala ātervinnings och sophanteringsystem för elektriska och elektroniska produkter.
- Agera i enlighet med dina lokala regler och släng inte dina gamla produkter tillsammans med ditt normala hushållsavfall. Korrekt sophantering av din gamla produkt kommer att hjälpa till att för naturen och människors hälsa.

GR - Απόρριψη του παλαιού προϊόντος σας

- Το προϊόν σας είναι σχεδιασμένο και κατασκευασμένο από υλικά και συστατικά υψηλής ποιότητας, τα οποία μπορούν να ανακυκλωθούν και να επαναχρησιμοποιηθούν.
- Όταν σε ένα προϊόν υπάρχει το σύμβολο του τροχοφόρου διαγράμμένου κάδου απορριμμάτων, σημαίνει ότι το προϊόν καλύπτεται από την Ευρωπαϊκή Οδηγία 2002/96/EC
- Παρακαλούμε ενημερωθείτε σχετικά με το ξεχωριστό τοπικό σύστημα συλλογής ηλεκτρικών και ηλεκτρονικών προϊόντων.
- Παρακαλούμε πράξτε σύμφωνα με τους τοπικούς κανονισμούς και μην απορρίπτετε τα παλαιά προϊόντα σας μαζί με οικιακά απορρίμματα. Η σωστή απόρριψη των παλαιών προϊόντων θα βοηθήσει στην αποτροπή αρνητικών συνεπειών στο περιβάλλον και την ανθρώπινη υγεία.

SK - Likvidácia vášho starého prístroja

- Keď sa na produkte nachádza tento symbol prečiarknutej smetnej nádoby s kolieskami, znamená to, že daný produkt vyhovuje európskej Smernici č 2002/96/EC.
- Všetky elektrické a elektronické produkty by mali byť zlikvidované oddelené od komunálneho odpadu prostredníctvom na to určených zberných zariadení, ktoré boli ustanovené vládou alebo orgánmi miestnej správy.
- Správnu likvidáciu starých zariadení pomôžete predchádzať potenciálnym negatívnym následkom pre prostredie a ľudské zdravie.
- Podrobnejšie informácie o likvidácii starých zariadení nájdete na miestnom úrade, v službe na likvidáciu odpadu alebo u predajcu, kde ste tento produkt zakúpili.

RO - Casarea aparatelor vechi

- Această siglă (un coș de gunoi încercuit și tăiat) semnifică faptul că produsul se află sub incidența Directivei Consiliului European 2002/96/EC.
- Aparatele electrice și electronice nu vor fi aruncate împreună cu gunoiul menajer, ci vor fi predate în vederea reciclării la centrele de colectare special amenajate, indicate de autoritățile naționale sau locale.
- Respectarea acestor cerințe va ajuta la prevenirea impactului negativ asupra mediului înconjurător și sănătății publice.
- Pentru informații mai detaliate referitoare la casarea aparatelor vechi, contactați autoritățile locale, serviciul de salubritate sau distribuitorul de la care ați achiziționat produsul.

BG - Изхвърляне на вашия стар уред

- Когато този символ на задраскана кофа за боклук е поставен върху дадено изделие, това означава, че изделието попада под разпоредбите на Европейска директива 2002/96/ЕО.
- Всички електрически и електронни изделия трябва да се изхвърлят отделно от битовите отпадъци, в определени за целта съоръжения, посочени от държавните или местните органи.
- Правилното изхвърляне на вашия уред ще помогне за предотвратяване на възможни негативни последици за околната среда и човешкото здраве.
- За по-подробна информация за изхвърлянето на вашия стар уред се обърнете към вашата община, службите за събиране на отпадъци или магазина, откъдето сте купили своя уред.

DESA

DESA ITALIA s.r.l.

via Tione, 12 - 37010 Pastrengo
(Verona) - Italy
www.desaitalia.com
info@desaitalia.com

DESA POLAND Sp. Z.o.o

ul Magazynowa 5A,
62-023 Gadki, Poland
www.desapoland.pl -
office@desapoland.pl

DESA UK Ltd.

Unit 3 Easter Court Gemini
Business Park Warrington, Cheshire
WA5 7ZB United Kingdom
